

Amber 10

Users' Manual

Principal contributors to the current codes:

David A. Case (The Scripps Research Institute)	Kim F. Wong (University of Utah)
Tom Darden (NIEHS)	Francesco Paesani (University of Utah)
Thomas E. Cheatham III (Utah)	Jiri Vanicek (EPL-Lausanne)
Carlos Simmerling (Stony Brook)	Xiongwu Wu (NIH)
Junmei Wang (UT Southwestern Medical Center)	Scott R. Brozell (TSRI)
Robert E. Duke (NIEHS and UNC-Chapel Hill)	Thomas Steinbrecher (TSRI)
Ray Luo (UC Irvine)	Holger Gohlke (Kiel)
Mike Crowley (NREL)	Lijiang Yang (UC Irvine)
Ross Walker (SDSC)	Chunhu Tan (UC Irvine)
Wei Zhang (TSRI)	John Mongan (UC San Diego)
Kenneth M. Merz (Florida)	Viktor Hornak (Stony Brook)
Bing Wang (Florida)	Guanglei Cui (Stony Brook)
Seth Hayik (Florida)	David H. Mathews (Rochester)
Adrian Roitberg (Florida)	Matthew G. Seetin (Rochester)
Gustavo Seabra (Florida)	Celeste Sagui (North Carolina State)
István Kolossváry (Budapest and D.E. Shaw)	Volodymyr Babin (North Carolina State)
	Peter A. Kollman (UC San Francisco)

Additional key contributors to earlier versions:

David A. Pearlman (UC San Francisco)	Vickie Tsui (TSRI)
Robert V. Stanton (UC San Francisco)	Christian Schafmeister (Pitt)
Jed Pitera (UC San Francisco)	Wilson S. Ross (UC San Francisco)
Irina Massova (UC San Francisco)	Randall Radmer (UC San Francisco)
Ailan Cheng (Penn State)	George L. Seibel (UC San Francisco)
James J. Vincent (Penn State)	James W. Caldwell (UC San Francisco)
Paul Beroza (Telik)	U. Chandra Singh (UC San Francisco)
	Paul Weiner (UC San Francisco)

Additional key people involved in force field development:

Piotr Cieplak (Burnham Institute)	Alexey Onufriev (Virginia Tech.)
Yong Duan (U.C. Davis)	Christopher Bayly (Merck-Frost)
Rob Woods (Georgia)	Wendy Cornell (UC San Francisco)
Karl Kirschner (Georgia)	Scott Weiner (UC San Francisco)
Sarah M. Tschampel (Georgia)	Austin Yongye (Georgia)
	Matthew Tessier (Georgia)

Acknowledgments

Research support from DARPA, NIH and NSF for Peter Kollman is gratefully acknowledged, as is support from NIH, NSF, ONR and DOE for David Case. Use of the facilities of the UCSF Computer Graphics Laboratory (Thomas Ferrin, PI) is appreciated. The pseudocontact shift code was provided by Ivano Bertini of the University of Florence. We thank Chris Bayly and Merck-Frosst, Canada for permission to include charge increments for the AM1-BCC charge scheme. Many people helped add features to various codes; these contributions are described in the documentation for the individual programs; see also <http://amber.scripps.edu/contributors.html>.

Recommended Citations:

When citing Amber Version 10 in the literature, the following citation should be used:

D.A. Case, T.A. Darden, T.E. Cheatham, III, C.L. Simmerling, J. Wang, R.E. Duke, R. Luo, M. Crowley, R.C. Walker, W. Zhang, K.M. Merz, B. Wang, S. Hayik, A. Roitberg, G. Seabra, I. Kolossváry, K.F. Wong, F. Paesani, J. Vanicek, X. Wu, S.R. Brozell, T. Steinbrecher, H. Gohlke, L. Yang, C. Tan, J. Mongan, V. Hornak, G. Cui, D.H. Mathews, M.G. Seetin, C. Sagui, V. Babin, and P.A. Kollman (2008), AMBER 10, University of California, San Francisco.

The history of the codes and a basic description of the methods can be found in two papers:

- D.A. Pearlman, D.A. Case, J.W. Caldwell, W.S. Ross, T.E. Cheatham, III, S. DeBolt, D. Ferguson, G. Seibel, and P. Kollman. AMBER, a package of computer programs for applying molecular mechanics, normal mode analysis, molecular dynamics and free energy calculations to simulate the structural and energetic properties of molecules. *Comp. Phys. Commun.* **91**, 1-41 (1995).
- D.A. Case, T. Cheatham, T. Darden, H. Gohlke, R. Luo, K.M. Merz, Jr., A. Onufriev, C. Simmerling, B. Wang and R. Woods. The Amber biomolecular simulation programs. *J. Computat. Chem.* **26**, 1668-1688 (2005).

Peter Kollman died unexpectedly in May, 2001. We dedicate Amber to his memory.

Cover Illustration

The cover shows E. coli KAS I (FabB) fatty acid synthase (pdb code 1fj4), a drug target of particular interest for the development of novel antibiotics. Overlaying the enzyme the chemical formula of a naturally occurring inhibitor, thiolactomycin, is drawn with six "computational alchemy" ligand transformations recently studied by free energy calculations. [1, 2] The picture was prepared by Thomas Steinbrecher using VMD, povray 3.6 and ChemDraw.

Contents

Contents	3
1. Introduction	9
1.1. What to read next	10
1.2. Information flow in Amber	10
1.2.1. Preparatory programs	11
1.2.2. Simulation programs	11
1.2.3. Analysis programs	12
1.3. Installation of Amber 10	12
1.3.1. More information on parallel machines or clusters	14
1.3.2. Installing Non-Standard Features	15
1.3.3. Installing on Microsoft Windows	15
1.3.4. Testing	16
1.3.5. Memory Requirements	16
1.4. Basic tutorials	16
2. Sander basics	19
2.1. Introduction	19
2.2. Credits	21
2.3. File usage	21
2.4. Example input files	22
2.5. Overview of the information in the input file	23
2.6. General minimization and dynamics parameters	23
2.6.1. General flags describing the calculation	23
2.6.2. Nature and format of the input	24
2.6.3. Nature and format of the output	25
2.6.4. Frozen or restrained atoms	27
2.6.5. Energy minimization	27
2.6.6. Molecular dynamics	28
2.6.7. Self-Guided Langevin dynamics	28
2.6.8. Temperature regulation	29
2.6.9. Pressure regulation	31
2.6.10. SHAKE bond length constraints	32
2.6.11. Water cap	33
2.6.12. NMR refinement options	34
2.7. Potential function parameters	34
2.7.1. Generic parameters	35
2.7.2. Particle Mesh Ewald	36

CONTENTS

2.7.3.	Using IPS for the calculation of nonbonded interactions	38
2.7.4.	Extra point options	39
2.7.5.	Polarizable potentials	39
2.7.6.	Dipole Printing	40
2.7.7.	Detailed MPI Timings	41
2.8.	Varying conditions	41
2.9.	File redirection commands	46
2.10.	Getting debugging information	46
3.	Force field modifications	51
3.1.	The Generalized Born/Surface Area Model	51
3.1.1.	GB/SA input parameters	53
3.1.2.	ALPB (Analytical Linearized Poisson-Boltzmann)	56
3.2.	Poisson-Boltzmann calculations	57
3.2.1.	Introduction	57
3.2.2.	Usage and keywords	60
3.2.3.	Example inputs	66
3.3.	Empirical Valence Bond	69
3.3.1.	Introduction	69
3.3.2.	General usage description	70
3.3.3.	Biased sampling	73
3.3.4.	Quantization of nuclear degrees of freedom	75
3.3.5.	Distributed Gaussian EVB	76
3.3.6.	EVB input variables and interdependencies	78
3.4.	Using the AMOEBA force field	84
3.5.	QM/MM calculations	86
3.5.1.	The hybrid QM/MM potential	87
3.5.2.	The QM/MM interface and link atoms	88
3.5.3.	Generalized Born implicit solvent	89
3.5.4.	Ewald and PME	89
3.5.5.	Hints for running successful QM/MM calculations	90
3.5.6.	General QM/MM &qmmm Namelist Variables	91
3.5.7.	Link Atom Specific QM/MM &qmmm Namelist Variables	97
4.	Sampling and free energies	99
4.1.	Thermodynamic integration	99
4.1.1.	Basic inputs for thermodynamic integration	100
4.1.2.	Softcore Potentials in Thermodynamic Integration	102
4.2.	Umbrella sampling	105
4.3.	Targeted MD	107
4.4.	Steered Molecular Dynamics (SMD) and the Jarzynski Relationship	108
4.4.1.	Background	108
4.4.2.	Implementation and usage	109
4.5.	Replica Exchange Molecular Dynamics (REMD)	110
4.5.1.	Changes to REMD in Amber 10	111
4.5.2.	Running REMD simulations	112

4.5.3.	Restarting REMD simulations	113
4.5.4.	Content of the output files	113
4.5.5.	Major changes from sander when using replica exchange	114
4.5.6.	Cautions when using replica exchange	115
4.5.7.	Replica exchange example	115
4.5.8.	Replica exchange using a hybrid solvent model	117
4.5.9.	Changes to hybrid REMD in Amber 10	118
4.5.10.	Cautions for hybrid solvent replica exchange	118
4.5.11.	Reservoir REMD	119
4.6.	Adaptively biased MD, steered MD, and umbrella sampling with REMD	121
4.6.1.	Overview	121
4.6.2.	Reaction Coordinates	122
4.6.3.	Steered Molecular Dynamics	125
4.6.4.	Umbrella sampling	126
4.6.5.	Adaptively Biased Molecular Dynamics	127
4.7.	Nudged elastic band calculations	130
4.7.1.	Background	130
4.7.2.	Preparing input files for NEB	132
4.7.3.	Input Variables	133
4.8.	Constant pH calculations	133
4.8.1.	Background	133
4.8.2.	Preparing a system for constant pH	134
4.8.3.	Running at constant pH	135
4.8.4.	Analyzing constant pH simulations	136
4.8.5.	Extending constant pH to additional titratable groups	137
4.9.	Low-MODE (LMOD) methods	139
4.9.1.	LMOD conformational searching and flexible docking	139
4.9.2.	LMOD Procedure	140
4.9.3.	XMIN	141
4.9.4.	LMOD	142
4.9.5.	Tricks of the trade of running LMOD searches	145
5.	Quantum dynamics	147
5.1.	Path-Integral Molecular Dynamics	147
5.1.1.	General theory	147
5.1.2.	How PIMD works in Amber	149
5.2.	Centroid Molecular Dynamics (CMD)	153
5.2.1.	Implementation and input/output files	154
5.2.2.	Examples	155
5.3.	Ring Polymer Molecular Dynamics (RPMD)	156
5.3.1.	Input parameters	156
5.3.2.	Examples	156
5.4.	Reactive Dynamics	156
5.4.1.	Path integral quantum transition state theory	156
5.4.2.	Quantum Instanton	157
5.5.	Isotope effects	160

CONTENTS

5.5.1.	Thermodynamic integration with respect to mass	160
5.5.2.	AMBER implementation	162
5.5.3.	Equilibrium isotope effects	162
5.5.4.	Kinetic isotope effects	163
5.5.5.	Estimating the kinetic isotope effect using EVB/LES-PIMD	164
6.	NMR and X-ray refinement using SANDER	167
6.1.	Distance, angle and torsional restraints	168
6.1.1.	Variables in the &rst namelist:	168
6.2.	NOESY volume restraints	174
6.3.	Chemical shift restraints	177
6.4.	Pseudocontact shift restraints	178
6.5.	Direct dipolar coupling restraints	180
6.6.	Residual CSA or pseudo-CSA restraints	182
6.7.	Preparing restraint files for Sander	183
6.7.1.	Preparing distance restraints: makeDIST_RST	183
6.7.2.	Preparing torsion angle restraints: makeANG_RST	187
6.7.3.	Chirality restraints: makeCHIR_RST	189
6.7.4.	Direct dipolar coupling restraints: makeDIP_RST	189
6.8.	Getting summaries of NMR violations	190
6.9.	Time-averaged restraints	190
6.10.	Multiple copies refinement using LES	192
6.11.	Some sample input files	192
6.11.1.	1. Simulated annealing NMR refinement	192
6.11.2.	Part of the RST.f file referred to above	193
6.11.3.	3. Sample NOESY intensity input file	195
6.11.4.	Residual dipolar restraints, prepared by makeDIP_RST:	195
6.11.5.	A more complicated constraint	196
6.12.	X-ray Crystallography Refinement using SANDER	197
7.	PMEMD	199
7.1.	Introduction	199
7.2.	Functionality	199
7.3.	PMEMD-specific namelist variables	201
7.4.	Slightly changed functionality	203
7.5.	Parallel performance tuning and hints	204
7.6.	Installation	204
7.7.	Acknowledgements	205
8.	MM_PBSA	207
8.1.	General instructions	208
8.2.	Input explanations	209
8.2.1.	General	209
8.2.2.	Energy Decomposition Parameters	210
8.2.3.	Poisson-Boltzmann Parameters	211
8.2.4.	Molecular Mechanics Parameters	213

8.2.5.	Generalized Born Parameters	213
8.2.6.	Molsurf Parameters	213
8.2.7.	NMODE Parameters	213
8.2.8.	Parameters for Snapshot Generation	213
8.2.9.	Parameters for Alanine Scanning	214
8.2.10.	Trajectory Specification	215
8.3.	Preparing the input file	215
8.4.	Auxiliary programs used by MM_PBSA	222
8.5.	APBS as an alternate PB solver in Sander	222
9.	LES	225
9.1.	Preparing to use LES with AMBER	225
9.2.	Using the ADDLES program	226
9.3.	More information on the ADDLES commands and options	229
9.4.	Using the new topology/coordinate files with SANDER	230
9.5.	Using LES with the Generalized Born solvation model	231
9.6.	Case studies: Examples of application of LES	232
9.6.1.	Enhanced sampling for individual functional groups: Glucose	232
9.6.2.	Enhanced sampling for a small region: Application of LES to a nucleic acid loop	233
9.6.3.	Improving conformational sampling in a small peptide	234
10.	Divcon	237
10.1.	Introduction	237
10.2.	Getting Started	237
10.2.1.	Standard Jobs	238
10.2.2.	Divide and Conquer Jobs	238
10.3.	Keywords	239
10.3.1.	Hamiltonians	239
10.3.2.	Convergence Criterion	239
10.3.3.	Restrained Atoms	239
10.3.4.	Output	240
10.3.5.	General	242
10.3.6.	Gradient	245
10.3.7.	Atomic Charges	245
10.3.8.	Subsetting	245
10.4.	Solvation	247
10.5.	Nuclear Magnetic Resonance(NMR)	248
10.5.1.	Default Keywords	248
10.6.	Citation Information	249
11.	Miscellaneous	251
11.1.	ambpdb	251
11.2.	protonate	253
11.3.	ambmask	254
11.4.	pol_h and gwh	257

CONTENTS

11.5. fantasian	258
11.6. elsize	259
A. Namelist Input Syntax	261
B. GROUP Specification	263
C. EVB output file specifications	267
D. Distributed Gaussian EVB format specifications	271
D.1. Cartesian coordinate representation	271
D.2. Internal coordinate representation	273
E. AMBER Trajectory NetCDF Format	275
E.1. Introduction	275
E.2. Program behavior	275
E.3. NetCDF file encoding	276
E.4. Global attributes	276
E.5. Dimensions	277
E.6. Variables	278
E.6.1. Label variables	278
E.6.2. Data variables	278
E.7. Example	279
E.8. Extensions and modifications	280
E.9. Revision history	280
Bibliography	283
Index	300

1. Introduction

Amber is the collective name for a suite of programs that allow users to carry out molecular dynamics simulations, particularly on biomolecules. None of the individual programs carries this name, but the various parts work reasonably well together, and provide a powerful framework for many common calculations. [3, 4] The term *amber* is also sometimes used to refer to the empirical force fields that are implemented here. [5, 6] It should be recognized however, that the code and force field are separate: several other computer packages have implemented the *amber* force fields, and other force fields can be implemented with the *amber* programs. Further, the force fields are in the public domain, whereas the codes are distributed under a license agreement.

The Amber software suite is now divided into two parts: AmberTools, a collection of freely available programs mostly under the GPL license, and Amber10, which is centered around the *sander* and *pmemd* simulation programs, and which continues to be licensed as before, under a more restrictive license. You need to install both parts, starting with AmberTools.

Amber 10 (2008) represents a significant change from the most recent previous version, *Amber 9*, which was released in March, 2006. Briefly, the major differences include:

1. New free energy tools, that incorporate soft-core potentials and remove the requirement to create dummy atoms under most circumstances. Calculations can use either “single” or “dual” topology models.
2. Much better performance and parallel scaling in *pmemd*, which has support for off-center charges (as in TIP4P or TIP5P) and for generalized Born calculations. A *pmemd.amba* version includes (modest) parallel support for the Amoeba protein potentials.
3. A new suite of conformational clustering tools in *ptraj*, and new analysis tools for MM-PBSA.
4. Better integration of “low-mode” (LMOD) conformational search tools, based on following low-frequency normal modes.
5. Re-worked replica exchange dynamics (REMD), and new methods for enhanced conformational searches using biased molecular dynamics. Non-Boltzmann reservoirs can be involved in exchanges.
6. More accurate nonpolar implicit solvent models in *pbsa*.
7. Inclusion of *NAB* (Nucleic Acid Builder), which provides second derivatives of generalized Born potentials, new methods of normal mode analysis, and a model-building environment for proteins and nucleic acids.
8. New codes and data structures for manipulating molecules, including *sleap*, a replacement and extension for *tleap*.

1. Introduction

9. Updated force fields for carbohydrates, lipids, nucleic acids, and ions and water.
10. Expanded QM/MM support with support for PME and GB based DFTB calculations, as well as improved performance and parallelization.

1.1. What to read next

If you are installing this package see Section 1.3. New users should continue with this Chapter, and should consult the tutorial information in Section 1.4. There are also tips and examples on the Amber Web pages at <http://ambermd.org>. Although Amber may appear dauntingly complex at first, it has become easier to use over the past few years, and overall is reasonably straightforward once you understand the basic architecture and option choices. In particular, we have worked hard on the tutorials to make them accessible to new users. Hundreds of people have learned to use Amber; don't be easily discouraged.

If you want to learn more about basic biochemical simulation techniques, there are a variety of good books to consult, ranging from introductory descriptions, [7, 8] to standard works on liquid state simulation methods, [9, 10] to multi-author compilations that cover many important aspects of biomolecular modelling. [11–13] Looking for "paradigm" papers that report simulations similar to ones you may want to undertake is also generally a good idea.

1.2. Information flow in Amber

Understanding where to begin in Amber is primarily a problem of managing the flow of information in this package—see Fig. 1.1. You first need to understand what information is needed by the simulation programs (*sander* and *pmemd*). You need to know where it comes from, and how it gets into the form that the energy programs require. This section is meant to orient the new user and is not a substitute for the individual program documentation.

Information that all the simulation programs need:

1. Cartesian coordinates for each atom in the system. These usually come from X-ray crystallography, NMR spectroscopy, or model-building. They should be in Protein Databank (PDB) or Tripos "mol2" format. The program *LEaP* provides a platform for carrying out some of these modeling tasks, but users may wish to consider other programs as well, including the NAB programming environment in AmberTools.
2. "Topology": connectivity, atom names, atom types, residue names, and charges. This information comes from the database, which is found in the *amber10/dat/leap/prep* directory, and is described in Chapter 2 of the AmberTools manual. It contains topology for the standard amino acids as well as N- and C-terminal charged amino acids, DNA, RNA, and common sugars. The database contains default internal coordinates for these monomer units, but coordinate information is usually obtained from PDB files. Topology information for other molecules (not found in the standard database) is kept in user-generated "residue files", which are generally created using *antechamber*.
3. Force field: Parameters for all of the bonds, angles, dihedrals, and atom types in the system. The standard parameters for several force fields are found in the *amber10/dat/leap/parm*

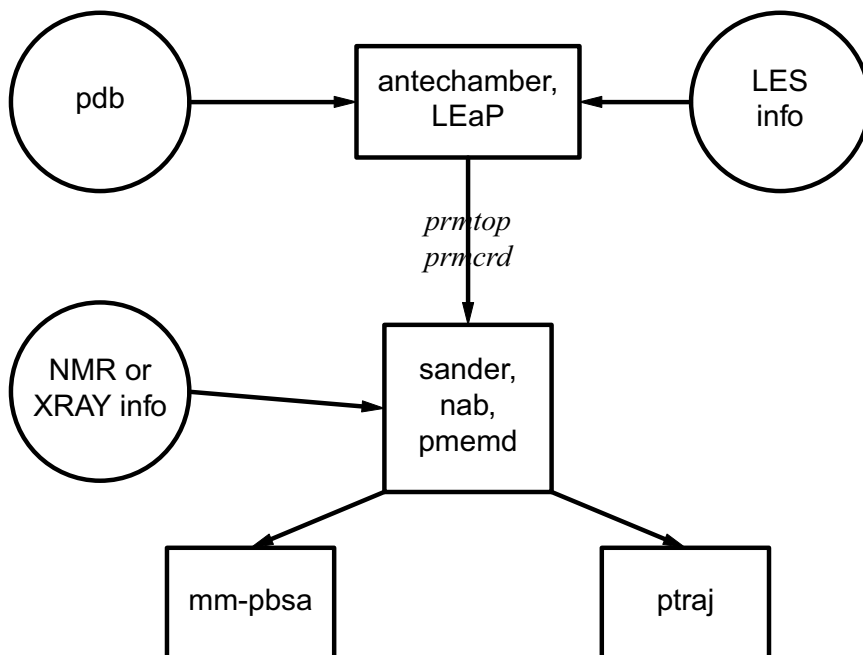


Figure 1.1: Basic information flow in Amber

directory; consult Chapter 2 of the AmberTools manual for more information. These files may be used "as is" for proteins and nucleic acids, or users may prepare their own files that contain modifications to the standard force fields.

4. Commands: The user specifies the procedural options and state parameters desired. These are specified in the input files (usually called *mdin*) to the *sander* or *pmemd* programs.

1.2.1. Preparatory programs

LEaP is the primary program to create a new system in Amber, or to modify old systems. It combines the functionality of prep, link, edit, and parm from earlier versions. A new code, *sleap*, is designed as a replacement program for *tleap*.

ANTECHAMBER is the main program from the Antechamber suite. If your system contains more than just standard nucleic acids or proteins, this may help you prepare the input for LEaP.

1.2.2. Simulation programs

SANDER is the basic energy minimizer and molecular dynamics program. This program relaxes the structure by iteratively moving the atoms down the energy gradient until a sufficiently low average gradient is obtained. The molecular dynamics portion generates configurations of the system by integrating Newtonian equations of motion. MD will sample

1. Introduction

more configurational space than minimization, and will allow the structure to cross over small potential energy barriers. Configurations may be saved at regular intervals during the simulation for later analysis, and basic free energy calculations using thermodynamic integration may be performed. More elaborate conformational searching and modeling MD studies can also be carried out using the SANDER module. This allows a variety of constraints to be added to the basic force field, and has been designed especially for the types of calculations involved in NMR structure refinement.

PMEMD is a version of *sander* that is optimized for speed and for parallel scaling. The name stands for "Particle Mesh Ewald Molecular Dynamics," but this code can now also carry out generalized Born simulations. The input and output have only a few changes from *sander*.

1.2.3. Analysis programs

PTRAJ is a general purpose utility for analyzing and processing trajectory or coordinate files created from MD simulations (or from various other sources), carrying out superpositions, extractions of coordinates, calculation of bond/angle/dihedral values, atomic positional fluctuations, correlation functions, clustering, analysis of hydrogen bonds, etc. The same executable, when named *rdparm* (from which the program evolved), can examine and modify prmtop files.

MM-PBSA is a script that automates energy analysis of snapshots from a molecular dynamics simulation using ideas generated from continuum solvent models.

1.3. Installation of Amber 10

If you have not yet done so, unpack and install AmberTools. This package contains files and codes that you will need for Amber10 as well. Both the AmberTools and Amber10 tar files unpack into the same directory tree, with `amber10` at its root.

To compile the basic AMBER distribution, do the following:

1. Set up the `AMBERHOME` environment variable to point to where the Amber tree resides on your machine. For example

```
Using csh, tcsh, etc: setenv AMBERHOME /usr/local/amber10
Using bash, sh, zsh, etc: set AMBERHOME=/usr/local/amber10
                        export AMBERHOME
```

NOTE: Be sure to replace the `/usr/local` part above with whatever path is appropriate for your machine. You should then add `$AMBERHOME/exe` to your `PATH`.

2. Go to the Amber web site, <http://amber.scripps.edu>, and download any bug fixes for version 10 that may have been posted. There will be a file called "bugfix.all", which is used as follows:

```
cd $AMBERHOME
patch -p0 -N -r patch-rejects < bugfix.all
```

3. Go to the \$AMBERHOME/src directory, and create a configuration file for a serial version:

```
cd $AMBERHOME/src
./configure_amber -help
```

will show you the options available. Choose a machine/compiler name, for example:

```
./configure_amber -static g95
```

This will create a config.h file for a single-processor machine using the g95 compiler (see <http://www.g95.org>). You can examine and edit this file to match your local environment, if necessary. Do not choose any parallel options (-mpich, -lam,...) at this point. (Note: if you choose one of the "ifort" options, be sure to execute the *ifortvars.sh* or *ifortvars.csh* script, in order to set up the proper environment variables.)

4. Now compile everything:

```
make serial
```

Loader warnings (especially on SGI) can generally be ignored; compiler warnings should be considered, but most are innocuous. If a program that you don't need initially fails to compile, you should consider invoking "make" with the ignore errors option (make -i) or commenting out that line in the Makefile, and seeing if the rest of the suite can be compiled correctly.

5. To test the basic AMBER distribution, do this:

```
cd $AMBERHOME/test
make test
```

Where "possible FAILURE" messages are found, go to the indicated directory under \$AMBERHOME/test, and look at the "*.dif" files. Differences should involve round-off in the final digit printed, or occasional messages that differ from machine to machine (see below for details). As with compilation, if you have trouble with individual tests, you may wish to invoke "make" with the ignore errors option (make -i) or comment out certain lines in the Makefile, and/or go directly to the \$AMBERHOME/test subdirectories to examine the inputs and outputs in detail. For convenience, all of the failure messages are collected in the file \$AMBERHOME/test/TEST_FAILURES.diff; you can quickly see from these if there is anything more than round-off errors.)

The "make test" command above just tests the MM parts of sander; if you plan on carrying out QM/MM calculations, you should follow this with "make test.serial.QMMM".

6. Once you have some experience with the serial version of Amber, you may wish to build a parallel version as well. Because of the vagaries of MPI libraries, this has more pitfalls than installing the serial version; hence you should not do this just "because it is there". Build a parallel version when you know you have a basic understanding of Amber, and you need extra features.

1. Introduction

Also note this: *you may want to build a parallel version even for a machine with a single cpu*. The free energy and empirical valence bond (EVB) facilities require a parallel installation, but these will generally run fine using two threads on a single-cpu machine. It is also the case (especially if you have an Intel CPU with hyper-threading enabled) that you will get a modest speedup by running an MPI job with two threads, even on a machine with just one physical CPU.

To build a parallel version, do the following: First, you need to install an MPI library, if one is not already present on your machine. We have included lam-7.1.3 in Amber10, and recommend that you start with this if you are unfamiliar with MPI. Once that is working, you can later replace it with something else if needed.

```
cd $AMBERHOME/src
make clean (important! don't neglect this step)
./configure_amber -lamsource g95 (as an example)
./configure_lam (only needed if you used the -lamsource flag)
make parallel
```

This creates two new executables: *sander.MPI* and *sander.LES.MPI*. The serial versions will still be available in \$AMBERHOME/exe, just without the "MPI" extension.

To test parallel programs, you need first to set the DO_PARALLEL environment variable as follows:

```
cd $AMBERHOME/test
setenv DO_PARALLEL 'mpirun -np 4'
make test.parallel.MM < /dev/null
```

The integer is the number of processors; if your command to run MPI jobs is something different than mpirun (e.g. it is *mpiexec* for some MPI's), use the command appropriate for your machine. See the next section for the explanation of the input redirection in the last command. As with the serial testing, the above commands test the MM portion of sander; type "make test.parallel.QMMM" to test the QM/MM portions.

7. At this point, you should also compile the PMEMD (particle-mesh Ewald molecular dynamics) program. (Note that, in spite of its name, this code now can do implicit solvent GB calculations as well.) See Chapter 7 and \$AMBERHOME/src/pmemd/README for instructions.

1.3.1. More information on parallel machines or clusters

This section contains notes about the various parallel implementations supplied in the current release. Only *sander* and *pmemd* are parallel programs; all others are single threaded. NOTE: Parallel machines and networks fail in unexpected ways. PLEASE check short parallel runs against a single-processor version of Amber before embarking on long parallel simulations!

The MPI (message passing) version was initially developed by James Vincent and Ken Merz, based on 4.0 and later an early prerelease 4.1 version. [14] This version was optimized, integrated and extended by James Vincent, Dave Case, Tom Cheatham, Scott Brozell, and Mike Crowley, with input from Thomas Huber, Asiri Nanyakkar, and Nathalie Godbout.

The bonds, angles, dihedrals, SHAKE (only on bonds involving hydrogen), nonbonded energies and forces, pairlist creation, and integration steps are parallelized. The code is pure SPMD (single program multiple data) using a master/slave, replicated data model. Basically, the master node does all of the initial set-up and performs all the I/O. Depending on the version and/or what particular input options are chosen, either all the non-master nodes execute *force()* in parallel, or all nodes do both the forces and the dynamics in parallel. Communication is done to accumulate partial forces, update coordinates, etc.

For reasons we don't understand, some MPI implementations require a null file for stdin, even though *sander* doesn't take any input from there. This is true for some SGI and HP machines. If you receive a message like "stopped, tty input", try the following:

```
mpirun -np <num-proc> sander.MPI [ options ] < /dev/null
```

1.3.2. Installing Non-Standard Features

The source files of some Amber programs contain multiple code paths. These code paths are guarded by directives to the C preprocessor. All Amber programs regardless of source language use the C preprocessor. The activation of non-standard features in guarded code paths can be controlled at build time via the `-D` preprocessor option. For example, to enable the use of a Lennard-Jones 10-12 potential with the *sander* program the `HAS_10_12` preprocessor guard must be activated with `-DHAS_10_12`.

To ease the installers burden we provide a hook into the build process. The hook is the environment variable `AMBERBUILDFLAGS`. For example, to build *sander* with `-DHAS_10_12`, assuming that a correct configuration file has already been created, do the following:

```
cd $AMBERHOME/src/sander
make clean
make AMBERBUILDFLAGS='-DHAS_10_12' sander
```

Note that `AMBERBUILDFLAGS` is accessed by all stages of the build process: preprocessing, compiling, and linking. In rare cases a stage may emit warnings for unknown options in `AMBERBUILDFLAGS`; these may usually be ignored.

1.3.3. Installing on Microsoft Windows

All of Amber (including the X-windows parts) will compile and run on Windows using the Cygwin development tools: see <http://sources.redhat.com/cygwin>. We recommend (certainly as a first step) using the g95 compiler (see <http://www.g95.org>) along with the gcc compiler that comes with cygwin.

Note that Cygwin provides a POSIX-compatible environment for Windows. Effective use of this environment requires a basic familiarity with the principles of Linux or Unix operating systems. Building the Windows version is thus somewhat more complex (not simpler) than building under other operating systems. You should only attempt this *after* you have a basic familiarity with the cygwin environment. The only MPI packages that seems to compile cleanly under cygwin is LAM.

1. Introduction

1.3.4. Testing

We have installed and tested Amber 9 on a number of platforms, using UNIX, Linux, Microsoft Windows or Macintosh OSX operating systems. However, owing to time and access limitations, not all combinations of code, compilers, and operating systems have been tested. Therefore we recommend running the test suites.

The distribution contains a validation suite that can be used to help verify correctness. The nature of molecular dynamics, is such that the course of the calculation is very dependent on the order of arithmetical operations and the machine arithmetic implementation, *i.e.* the method used for roundoff. Because each step of the calculation depends on the results of the previous step, the slightest difference will eventually lead to a divergence in trajectories. As an initially identical dynamics run progresses on two different machines, the trajectories will eventually become completely uncorrelated. Neither of them are "wrong;" they are just exploring different regions of phase space. Hence, states at the end of long simulations are not very useful for verifying correctness. Averages are meaningful, provided that normal statistical fluctuations are taken into account. "Different machines" in this context means any difference in floating point hardware, word size, or rounding modes, as well as any differences in compilers or libraries. Differences in the order of arithmetic operations will affect roundoff behavior; $(a + b) + c$ is not necessarily the same as $a + (b + c)$. Different optimization levels will affect operation order, and may therefore affect the course of the calculations.

All initial values reported as integers should be identical. The energies and temperatures on the first cycle should be identical. The RMS and MAX gradients reported in sander are often more precision sensitive than the energies, and may vary by 1 in the last figure on some machines. In minimization and dynamics calculations, it is not unusual to see small divergences in behavior after as little as 100-200 cycles.

1.3.5. Memory Requirements

The Amber 10 programs mainly use dynamic memory allocation, and do not generally need to be compiled for any specific size of problem. Some sizes related to NMR refinements are defined in nmr.h. If you receive error messages directing you to look at these files, you may need to edit them, then recompile.

If you get a "Killed" (or similar) message immediately upon starting a program (particularly if this happens with no arguments), you may not have enough memory to run the program. The "size" command will show you the size of the executable. Also check the limits of your shell; you may need to increase these (especially stacksize, which is sometimes set to quite small values).

1.4. Basic tutorials

AMBER is a suite of programs for use in molecular modeling and molecular simulations. It consists of a substructure database, a force field parameter file, and a variety of useful programs. Here we give some commented sample runs to provide an overview of how things are carried out. The examples only cover a fraction of the things that it is possible to do with AMBER. The formats of the example files shown are described in detail later in the manual, in the chapters

pertaining to the programs. Tom Cheatham, Bernie Brooks and Peter Kollman have prepared some detailed information on simulation protocols that should also be consulted. [15]

Additional tutorial examples are available at <http://amber.scripps.edu>. Because the web can provide a richer interface than one can get on the printed page (with screen shots, links to the actual input and output files, etc.), most of our recent efforts have been devoted to updating the tutorials on the web site. In particular, new users are advised to look at the following, which can be found at both the web site listed above, and on the distribution CD, under *amber10/tutorial*.

As a basic example, we consider here the minimization of a protein in a simple solvent model. The procedure consists of three steps:

Step 1. Generate some starting coordinates.

The first step is to obtain starting coordinates. We begin with the bovine pancreatic trypsin inhibitor, and consider the file *6pti.pdb*, exactly as distributed by the Protein Data Bank. **This file (as with most PDB files) needs some editing before it can be used by Amber.** First, alternate conformations are provided for residues 39 and 50, so we need to figure out which one we want. For this example, we choose the "A" conformation, and manually edit the file to remove the alternate conformers. Second, coordinates are provided for a phosphate group and a variety of water molecules. These are not needed for the calculation we are pursuing here, so we also edit the file to remove these. Third, the cysteine residues are involved in disulfide bonds, and need to have their residue names changed in an editor from CYS to CYX to reflect this. Finally, since we removed the phosphate groups, some of the CONECT records now refer to non-existent atoms; if you are not sure that the CONECT records are all correct then it may be safest to remove all of them, as we do for this example. Let's call this modified file *6pti.mod.pdb*.

Although Amber tries hard to understand pdb-format files, it is typical to have to do some manual editing before proceeding. A general prescription is: "keep running the *loadPdb* step in LEaP (see step 2, below), and editing the pdb file, until there are no error messages."

Step 2. Run LEaP to generate the parameter and topology file.

This is a fairly straightforward exercise in loading in the pdb file, adding the disulfide cross links, and saving the resulting files. Typing the following commands should work in either *tleap* or *xleap*:

```
source leaprc.ff03
bpti = loadPdb 6pti.mod.pdb
bond bpti.5.SG bpti.55.SG
bond bpti.14.SG bpti.38.SG
bond bpti.30.SG bpti.51.SG
saveAmberParm bpti prmtop prmcrd
quit
```

Step 3. Perform some minimization.

Use this script:

1. Introduction

```
# Running minimization for BPTI
cat << eof > min.in
# 200 steps of minimization, generalized Born solvent model
&cntrl
maxcyc=200, imin=1, cut=12.0, igb=1, ntb=0, ntp=10,
/
eof
sander -i min.in -o 6pti.min1.out -c prmcrd -r 6pti.min1.xyz
/bin/rm min.in
```

This will perform minimization ($imin=1$) for 200 steps ($maxcyc$), using a nonbonded cutoff of 12 Å (cut), a generalized Born solvent model ($igb=1$), and no periodic boundary ($ntb=0$); intermediate results will be printed every 10 steps (ntp). Text output will go to file *6pti.min1.out*, and the final coordinates to file *6pti.min1.xyz*. The "out" file is intended to be read by humans, and gives a summary of the input parameters and a history of the progress of the minimization.

Of course, Amber can do much more than the above minimization. This example illustrates the basic information flow in Amber: Cartesian coordinate preparation (*Step 1.*), topology and force field selection (*Step 2.*), and simulation program command specification (*Step 3.*). Typically the subsequent steps are several stages of equilibration, production molecular dynamics runs, and analyses of trajectories. The tutorials in *amber10/tutorial* should be consulted for examples of these latter steps.

2. Sander basics

2.1. Introduction

This is a guide to *sander*, the Amber module which carries out energy minimization, molecular dynamics, and NMR refinements. The acronym stands for **S**imulated **A**nnealing with **N**M**R**-**D**erived **E**nergy **R**estraints, but this module is used for a variety of simulations that have nothing to do with NMR refinement. Some general features are outlined in the following paragraphs:

1. *Sander* provides direct support for several force fields for proteins and nucleic acids, and for several water models and other organic solvents. The basic force field implemented here has the following form, which is about the simplest functional form that preserves the essential nature of molecules in condensed phases:

$$\begin{aligned} V(\mathbf{r}) = & \sum_{bonds} K_b(b - b_0)^2 + \sum_{angles} K_\theta(\theta - \theta_0)^2 \\ & + \sum_{dihedrals} (V_n/2)(1 + \cos[n\phi - \delta]) \\ & + \sum_{nonbij} (A_{ij}/r_{ij}^{12}) - (B_{ij}/r_{ij}^6) + (q_i q_j / r_{ij}) \end{aligned}$$

"Non-additive" force fields based on atom-centered dipole polarizabilities can also be used. These add a "polarization" term to what was given above:

$$E_{pol} = -2 \sum_i \mu_i \cdot \mathbf{E}_{io}$$

where μ_i is an induced atomic dipole. In addition, charges that are not centered on atoms, but are off-center (as for lone-pairs or "extra points") can be included in the force field.

2. The particle-mesh Ewald (PME) procedure (or, optionally, a "true" Ewald sum) is used to handle long-range electrostatic interactions. Long-range van der Waals interactions are estimated by a continuum model. Biomolecular simulations in the NVE ensemble (*i.e.* with Newtonian dynamics) conserve energy well over multi-nanosecond runs without modification of the equations of motion.
3. Two periodic imaging geometries are included: rectangular parallelepiped and truncated octahedron (box with corners chopped off). (*Sander* itself can handle many other periodically-replicating boxes, but input and output support in *LEaP* and *ptraj* is only available right now for these two.) The size of the repeating unit can be coupled to a given external pressure, and velocities can be coupled to a given external temperature by several schemes.

2. Sander basics

The external conditions and coupling constants can be varied over time, so various simulated annealing protocols can be specified in a simple and flexible manner.

4. It is also possible to carry out non-periodic simulations in which aqueous solvation effects are represented *implicitly* by a generalized Born/ surface area model by adding the following two terms to the "vacuum" potential function:

$$\Delta G_{sol} = \sum_{ij} \left(1 - \frac{1}{\epsilon}\right) (q_i q_j / f_{GB}(r_{ij})) + A \sum_i \sigma_i$$

The first term accounts for the polar part of solvation (free) energy, designed to provide an approximation for the reaction field potential, and the second represents the non-polar contribution which is taken to be proportional to the surface area of the molecule.

5. Users can define internal restraints on bonds, valence angles, and torsions, and the force constants and target values for the restraints can vary during the simulation. The relative weights of various terms in the force field can be varied over time, allowing one to implement a variety of simulated annealing protocols in a single run.
6. Internal restraints can be defined to be "time-averaged", that is, restraint forces are applied based on the averaged value of an internal coordinate over the course of the dynamics trajectory, not only on its current value. Alternatively, restraints can be "ensemble-averaged" using the locally-enhanced-sampling (LES) option.
7. Restraints can be directly defined in terms of NOESY intensities (calculated with a relaxation matrix technique), residual dipolar couplings, scalar coupling constants and proton chemical shifts. There are provisions for handling overlapping peaks or ambiguous assignments. In conjunction with distance and angle constraints, this provides a powerful and flexible approach to NMR structural refinements.
8. Replica exchange calculations can allow simultaneous sampling at a variety of conditions (such as temperature), and allow the user to construct Boltzmann samples in ways that converge more quickly than standard MD simulations. Other variants of biased MD simulations can also be used to improve sampling.
9. Restraints can also be defined in terms of the root-mean-square coordinate distance from some reference structure. This allows one to bias trajectories either towards or away from some target. Free energies can be estimated from non-equilibrium simulations based on targetting restraints.
10. Free energy calculations, using thermodynamic integration (TI) with a linear or non-linear mixing of the "unperturbed" and "perturbed" Hamiltonian, can be carried out. Alternatively, potentials of mean force can be computed using umbrella sampling.
11. The empirical valence bond (EVB) scheme can be used to mix "diabatic" states into a potential that can represent many types of chemical reactions that take place in enzymes.
12. QMMM Calculations where part of the system can be treated quantum mechanically allowing bond breaking and formation during a simulation. Semi-empirical and DFTB Hamiltonians are provided.

13. Nuclear quantum effects can be included through path-integral molecular dynamics (PIMD) simulations, and estimates of quantum time-correlation functions can be computed.

2.2. Credits

Since *sander* forms the core of the Amber simulation programs, almost everyone on the title page of this manual has contributed to it in one way or another. A detailed breakdown of contributions can be found at <http://ambermd.org/contributors.html>. A general history of *sander* and its components can also be found in Refs. [3,4].

2.3. File usage

```
sander [-help] [-O] [-A] -i mdin -o mdout -p prmtop -c inpcrd -r restrt
-ref refc -x mdcrd -y inptraj -v mdvel -e mden -inf mdinfo -radii radii
-cpin cpin -cpout cpout -cprestrt cprestrt -evbin evbin
-O Overwrite output files if they exist.
-A Append output files if they exist, (used mainly for replica exchange).
```

Here is a brief description of the files referred to above; the first five files are used for every run, whereas the remainder are only used when certain options are chosen.

mdin *input* control data for the min/md run

mdout *output* user readable state info and diagnostics -o stdout will send output to stdout (to the terminal) instead of to a file.

mdinfo *output* latest mdout-format energy info

prmtop *input* molecular topology, force field, periodic box type, atom and residue names

inpcrd *input* initial coordinates and (optionally) velocities and periodic box size

refc *input* (optional) reference coords for position restraints; also used for targeted MD

mdcrd *output* coordinate sets saved over trajectory

inptraj *input* input coordinate sets in trajectory format, when imin=5

mdvel *output* velocity sets saved over trajectory

mden *output* extensive energy data over trajectory

restrt *output* final coordinates, velocity, and box dimensions if any - for restarting run

inpdip *input* polarizable dipole file, when indmeth=3

rstdip *output* polarizable dipole file, when indmeth=3

cpin *input* protonation state definitions

2. Sander basics

cprestrt protonation state definitions, final protonation states for restart (same format as cpin)

cpout *output* protonation state data saved over trajectory

evbin *input* input for EVB potentials

2.4. Example input files

Here are a couple of sample files, just to establish a basic syntax and appearance. There are more examples of NMR-related files later in this chapter.

1. Simple restrained minimization

```
Minimization with Cartesian restraints
&cntrl
imin=1, maxcyc=200, (invoke minimization)
ntpr=5, (print frequency)
ntr=1, (turn on Cartesian restraints)
restraint_wt=1.0, (force constant for restraint)
restraintmask=':1-58', (atoms in residues 1-58 restrained)
/
```

2. "Plain" molecular dynamics run

```
molecular dynamics run
&cntrl
imin=0, irest=1, ntx=5, (restart MD)
ntt=3, temp0=300.0, gamma_ln=5.0, (temperature control)
ntp=1, taup=2.0, (pressure control)
ntb=2, ntc=2, ntf=2, (SHAKE, periodic bc.)
nstlim=500000, (run for 0.5 nsec)
ntwe=100, ntwx=1000, ntpr=200, (output frequency)
/
```

3. Self-guided Langevin dynamics run

```
Self-guided Langevin dynamics run
&cntrl
imin=0, irest=0, ntx=1, (start LD)
ntt=3, temp0=300.0, gamma_ln=1.0 (temperature control)
ntc=3, ntf=3, (SHAKE)
nstlim=500000, (run for 0.5 nsec)
ntwe=100, ntwx=1000, ntpr=200, (output frequency)
isgld=1, tsgavg=0.2, tempsg=1.0 (SGLD)
/
```

2.5. Overview of the information in the input file

General minimization and dynamics input

One or more title lines, followed by the (required) `&cntrl` and (optional) `&pb`, `&ewald`, `&qmmm`, `&amoeba` or `&debugf` namelist blocks. Described in Sections 2.6 and 2.7.

Varying conditions

Parameters for changing temperature, restraint weights, etc. during the MD run. Each parameter is specified by a separate `&wt` namelist block, ending with `&wt type='END'`, `/`. Described in Section 2.8.

File redirection

`TYPE=filename` lines. Section ends with the first non-blank line which does not correspond to a recognized redirection. Described in Section 2.9.

Group information

Read if `ntr`, `ibelly` or `idecomp` are set to non-zero values, and if some other conditions are satisfied; see sections on these variables, below. Described in Appendix B.

2.6. General minimization and dynamics parameters

Each of the variables listed below is input in a namelist statement with the namelist identifier `&cntrl`. You can enter the parameters in any order, using keyword identifiers. Variables that are not given in the namelist input retain their default values. Support for namelist input is included in almost all current Fortran compilers, and is a standard feature of Fortran 90. A detailed description of the namelist convention is given in Appendix A.

In general, namelist input consists of an arbitrary number of comment cards, followed by a record whose first seven characters after a `"&"` (e.g. `"&cntrl"`) name a group of variables that can be set by name. This is followed by statements of the form `"maxcyc=500, diel=2.0, ..."`, and is concluded by an `"/"` token. The first line of input contains a title, which is then followed by the `&cntrl` namelist. Note that the first character on each line of a namelist block must be a blank.

Some of the options and variables are much more important, and commonly modified, than are others. We have denoted the "common" options by printing them in **boldface** below. In general, you can skip reading about the non-bold options on a first pass, and you should change these from their defaults only if you think you know what you are doing.

2.6.1. General flags describing the calculation

imin Flag to run minimization

 = 0 No minimization (only do molecular dynamics; default)

 = 1 Perform minimization (and no molecular dynamics)

2. Sander basics

= 5 Read in a trajectory for analysis.

Although *sander* will write energy information in the output files (using *ntpr*), it is often desirable to calculate the energies of a set of structures at a later point. In particular, one may wish to post-process a set of structures using a different energy function than was used to generate the structures. A example of this is MM-PBSA analysis, where the explicit water is removed and replaced with a continuum model.

When *imin* is set to 5 *sander* will expect to read a trajectory file from the *inptraj* file (specified using *-y* on the command line), and will perform the functions described in the *mdin* file for each of the structures in the trajectory file. The final structures from each minimization will be written to the normal *mdcrd* file.

For example, when *imin=5* and *maxcyc=1000*, *sander* will minimize each structure in the trajectory for 1000 steps and write a minimized coordinate set for each frame to the *mdcrd* file. If *maxcyc=1*, then the output file can be used to extract the energies of each of the coordinate sets in the *inptraj* file.

nmropt

= 0 no nmr-type analysis will be done; default.

> 0 NMR restraints/weight changes will be read

= 2 NOESY volume, chemical shift or residual dipolar restraints will be read as well

2.6.2. Nature and format of the input

ntx Option to read the initial coordinates, velocities and box size from the "inpcrd" file. The options 1-2 must be used when one is starting from minimized or model-built coordinates. If an MD restrt file is used as inpcrd, then options 4-7 may be used. Only options 1 and 5 are in common use.

= 1 X is read formatted with no initial velocity information (default)

= 2 X is read unformatted with no initial velocity information

= 4 X and V are read unformatted.

= 5 X and V are read formatted; box information will be read if *ntb*>0. The velocity information will only be used if *irest*=1.

= 6 X, V and BOX(1..3) are read unformatted; in other respects, this is the same as option "5".

irest Flag to restart the run.

= 0 No effect (default)

= 1 restart calculation. Requires velocities in coordinate input file, so you also may need to reset NTX if restarting MD

2.6. General minimization and dynamics parameters

ntrx Format of the Cartesian coordinates for restraint from file "refc". Note: the program expects file "refc" to contain coordinates for all the atoms in the system. A subset for the actual restraints is selected by *restraintmask* in the control namelist.

= 0 Unformatted (binary) form
= 1 Formatted (ascii, default) form

2.6.3. Nature and format of the output

ntxo Format of the final coordinates, velocities, and box size (if constant volume or pressure run) written to file "restrt".

= 0 Unformatted (no longer recommended or allowed: please use formatted restart files)
= 1 Formatted (default).

ntpr Every NTPR steps energy information will be printed in human-readable form to files "mdout" and "mdinfo". "mdinfo" is closed and reopened each time, so it always contains the most recent energy and temperature. Default 50.

ntave Every NTAVE steps of dynamics, running averages of average energies and fluctuations over the last NTAVE steps will be printed out. Default value of 0 disables this printout. Setting NTAVE to a value 1/2 or 1/4 of NSTLIM provides a simple way to look at convergence during the simulation.

ntwr Every NTWR steps during dynamics, the "restrt" file will be written, ensuring that recovery from a crash will not be so painful. In any case, restrt is written every NSTLIM steps for both dynamics and minimization calculations. If NTWR<0, a unique copy of the file, restrt_nstep, is written every abs(NTWR) steps. This option is useful if for example one wants to run free energy perturbations from multiple starting points or save a series of restrt files for minimization. Default 500.

iwrap If set to 1, the coordinates written to the restart and trajectory files will be "wrapped" into a primary box. This means that for each molecule, the image closest to the middle of the "primary box" [with x coordinates between 0 and a, y coordinates between 0 and b, and z coordinates between 0 and c] will be the one written to the output file. This often makes the resulting structures look better visually, but has no effect on the energy or forces. Performing such wrapping, however, can mess up diffusion and other calculations. The default (when *iwrap*=0) is to not perform any such manipulations; in this case it is typical to use *ptraj* as a post-processing program to translate molecules back to the primary box. For very long runs, setting *iwrap*=1 may be required to keep the coordinate output from overflowing the trajectory and restart file formats.

ntwx Every NTWX steps the coordinates will be written to file "mdcrd". NTWX=0 inhibits all output. Default 0.

2. Sander basics

ntwv Every NTWV steps the velocities will be written to file "mdvel". NTWV=0 inhibits all output. Default 0. NTWV=-1 will write velocities into a combined coordinate and velocity file "mdcrd" at the interval defined by NTWX. This option is available only for binary NetCDF output (IOUTFM=1). Most users will have no need to write a velocity file and so can safely leave NTWV at the default of zero.

ntwe Every NTWE steps the energies and temperatures will be written to file "mden" in compact form. NTWE=0 inhibits all output. Default 0.

ioutfm Format of velocity and coordinate sets. As of Amber 9, the binary format used in previous versions is no longer supported; binary output is now in NetCDF trajectory format. Binary trajectory files are smaller, higher precision and much faster to read and write than formatted trajectories.

= 0 Formatted (default)

= 1 Binary NetCDF trajectory

ntwprt Coordinate/velocity archive limit flag. This flag can be used to decrease the size of the coordinate / velocity archive files, by only including that portion of the system of greatest interest. (E.g. one can print only the solute and not the solvent, if so desired). The Coord/velocity archives will include:

= 0 all atoms of the system (default).

> 0 only atoms 1→NTWPRRT.

idecomp Flag for setting an energy decomposition scheme. In former distributions this option was only really useful in conjunction with mm_pbsa, where it is turned on automatically if required. Now, a decomposition of $\langle \partial V / \partial \lambda \rangle$ on a per-residue basis in thermodynamic integration (TI) simulations is also possible. [16] The options are:

= 0 Do nothing (default).

= 1 Decompose energies on a per-residue basis; 1-4 EEL + 1-4 VDW are added to internal (bond, angle, dihedral) energies. (Not available in TI.)

= 2 Decompose energies on a per-residue basis; 1-4 EEL + 1-4 VDW are added to EEL and VDW. (Not available in TI.)

= 3 Decompose energies on a pairwise per-residue basis; the rest is equal to "1".

= 4 Decompose energies on a pairwise per-residue basis; the rest is equal to "2".

If decomp is switched on, residues may be chosen by the RRES and/or LRES card. The RES card determines about which residues information is finally output. See chapters 4.1 or 8 for more information. Use of *idecomp* > 0 is incompatible with *ntr* > 0 or *ibelly* > 0.

2.6.4. Frozen or restrained atoms

- ibelly** Flag for belly type dynamics. If set to 1, a subset of the atoms in the system will be allowed to move, and the coordinates of the rest will be frozen. The *moving* atoms are specified *bellymask*. This option is not available when *igb*>0. Note also that this option does *not* provide any significant speed advantage, and is maintained primarily for backwards compatibility with older version of Amber. Most applications should use the *ntr* variable instead to restrain parts of the system to stay close to some initial configuration. Default = 0.
- ntr** Flag for restraining specified atoms in Cartesian space using a harmonic potential, if *ntr* > 0. The restrained atoms are determined by the *restraintmask* string. The force constant is given by *restraint_wt*. The coordinates are read in "restr" format from the "refc" file (see NTRX, above). Default = 0.
- restraint_wt** The weight (in $\text{kcal/mol} - \text{\AA}^2$) for the positional restraints. The restraint is of the form $k(\Delta x)^2$, where k is the value given by this variable, and Δx is the difference between one of the Cartesian coordinates of a restrained atom and its reference position. There is a term like this for each Cartesian coordinate of each restrained atom.
- restraintmask** String that specifies the *restrained* atoms when *ntr*=1.
- bellymask** String that specifies the *moving* atoms when *ibelly*=1.
The syntax for both *restraintmask* and *bellymask* is given in Section 11.3. Note that these mask strings are limited to a maximum of 256 characters.

2.6.5. Energy minimization

- maxcyc** The maximum number of cycles of minimization. Default = 1.
- ncyc** If NTMIN is 1 then the method of minimization will be switched from steepest descent to conjugate gradient after NCYC cycles. Default 10.
- ntmin** Flag for the method of minimization.
 = 0 Full conjugate gradient minimization. The first 4 cycles are steepest descent at the start of the run and after every nonbonded pairlist update.
 = 1 For NCYC cycles the steepest descent method is used then conjugate gradient is switched on (default).
 = 2 Only the steepest descent method is used.
 = 3 The XMIN method is used, see Section 4.9.3.
 = 4 The LMOD method is used, see Section 4.9.4.
- dx0** The initial step length. If the initial step length is too big then will give a huge energy; however the minimizer is smart enough to adjust itself. Default 0.01.
- drms** The convergence criterion for the energy gradient: minimization will halt when the root-mean-square of the Cartesian elements of the gradient is less than DRMS. Default 1.0E-4 kcal/mole- \AA

2.6.6. Molecular dynamics

- nstlim** Number of MD-steps to be performed. Default 1.
- nscm** Flag for the removal of translational and rotational center-of-mass (COM) motion at regular intervals (default is 1000). For non-periodic simulations, after every NSCM steps, translational and rotational motion will be removed. For periodic systems, just the translational center-of-mass motion will be removed. This flag is ignored for belly simulations.
- For Langevin dynamics, the *position* of the center-of-mass of the molecule is reset to zero every NSCM steps, but the velocities are not affected. Hence there is no change to either the translation or rotational components of the momenta. (Doing anything else would destroy the way in which temperature is regulated in a Langevin dynamics system.) The only reason to even reset the coordinates is to prevent the molecule from diffusing so far away from the origin that its coordinates overflow the format used in restart or trajectory files.
- t** The time at the start (psec) this is for your own reference and is not critical. Start time is taken from the coordinate input file if IREST=1. Default 0.0.
- dt** The time step (psec). Recommended MAXIMUM is .002 if SHAKE is used, or .001 if it isn't. Note that for temperatures above 300K, the step size should be reduced since greater temperatures mean increased velocities and longer distance traveled between each force evaluation, which can lead to anomalously high energies and system blowup. Default 0.001.
- nrespa** This variable allows the user to evaluate slowly-varying terms in the force field less frequently. For PME, "slowly-varying" (now) means the reciprocal sum. For generalized Born runs, the "slowly-varying" forces are those involving derivatives with respect to the effective radii, and pair interactions whose distances are greater than the "inner" cutoff, currently hard-wired at 8 Å. If NRESPA>1 these slowly-varying forces are evaluated every *nrespa* steps. The forces are adjusted appropriately, leading to an impulse at that step. If *nrespa*dt* is less than or equal to 4 fs the energy conservation is not seriously compromised. However if *nrespa*dt* > 4 fs the simulation becomes less stable. Note that energies and related quantities are only accessible every *nrespa* steps, since the values at other times are meaningless.

2.6.7. Self-Guided Langevin dynamics

Self-guided Langevin dynamics (SGLD) can be used to enhance conformational search efficiency in either a molecular dynamics (MD) simulation (when *gamma_In=0*) or Langevin dynamics (LD) simulation (when *gamma_In>0*). This method applies a guiding force calculated during a simulation to accelerate the systematic motion for more efficient conformational sampling. [17] The guiding force can be applied to a part of a simulation system starting from atom *isgsta* to atom *isgend*. The strength of the guiding force is defined by either *tempsg* or *sgft*. A smaller *tempsg* or *sgft* will produce results closer to a normal MD or LD simulation. Normally, *tempsg* or *sgft* is set to the limit that accelerates slow events to an affordable time scale.

2.6. General minimization and dynamics parameters

isgld	The default value of zero disables self-guiding; a positive value enables this feature.
tsgavg	Local averaging time (<i>psec</i>) for the guiding force calculation. Default 0.2 <i>psec</i> . A larger value defines a slower motion to be enhanced.
tempsg	Guiding temperature (<i>K</i>). Defines the strength of the guiding force in temperature unit. Default 1.0 K. The default value is recommended for a noticeable enhancement in conformational search. Once <i>tempsg</i> is set, <i>sgft</i> will fluctuate and be printed out in the output file.
sgft	Guiding factor. Defines the strength of the guiding force when <i>tempsg</i> =0. Default 0.0. <i>tempsg</i> >0 will override <i>sgft</i> . Because <i>sgft</i> varies with systems and simulation conditions, it is recommended to read <i>sgft</i> values from the output file of a SGLD simulation with <i>tempsg</i> =1 K. Setting <i>tempsg</i> =0 K and <i>sgft</i> =0.0 will reduce the simulation to a normal MD or LD. Only experienced users should use the <i>sgft</i> variable; for most purposes, setting <i>tempsg</i> should be sufficient.
isgsta	The first atom index of SGLD region. Default 1.
isgend	The last atom index of SGLD region. Default is <i>natom</i> .

2.6.8. Temperature regulation

ntt	Switch for temperature scaling. Note that setting <i>ntt</i> =0 corresponds to the microcanonical (NVE) ensemble (which should approach the canonical one for large numbers of degrees of freedom). Some aspects of the "weak-coupling ensemble" (<i>ntt</i> =1) have been examined, and roughly interpolate between the microcanonical and canonical ensembles. [18, 19] The <i>ntt</i> =2 and 3 options correspond to the canonical (constant T) ensemble. = 0 Constant total energy classical dynamics (assuming that <i>ntb</i> <2, as should probably always be the case when <i>ntt</i> =0). = 1 Constant temperature, using the weak-coupling algorithm. [20] A single scaling factor is used for all atoms. Note that this algorithm just ensures that the total kinetic energy is appropriate for the desired temperature; it does nothing to ensure that the temperature is even over all parts of the molecule. Atomic collisions will tend to ensure an even temperature distribution, but this is not guaranteed, and there are many subtle problems that can arise with weak temperature coupling. [21] Using <i>ntt</i> =1 is especially dangerous for generalized Born simulations, where there are no collisions with solvent to aid in thermalization.) Other temperature coupling options (especially <i>ntt</i> =3) should be used instead. = 2 Andersen temperature coupling scheme, [22] in which imaginary "collisions" randomize the velocities to a distribution corresponding to <i>temp0</i> every <i>vrand</i> steps. Note that in between these "massive collisions", the dynamics is Newtonian. Hence, time correlation functions (etc.) can be computed in these sections, and the results averaged over an initial canonical distribution. Note also that too high a collision rate (too small a value of <i>vrand</i>) will slow down
------------	--

2. Sander basics

the speed at which the molecules explore configuration space, whereas too low a rate means that the canonical distribution of energies will be sampled slowly. A discussion of this rate is given by Andersen. [23]

= 3 Use Langevin dynamics with the collision frequency γ given by *gamma_In*, discussed below. Note that when γ has its default value of zero, this is the same as setting *ntt* = 0. Since Langevin simulations are potentially susceptible to "synchronization" artifacts, [24] you should explicitly set the *ig* variable (described below) to a different value at each restart of a given simulation.

temp0 Reference temperature at which the system is to be kept, if *ntt* > 0. Note that for temperatures above 300K, the step size should be reduced since increased distance traveled between evaluations can lead to SHAKE and other problems. Default 300.

temp0les This is the target temperature for all LES particles (see Chapter 6). If *temp0les* < 0, a single temperature bath is used for all atoms, otherwise separate thermostats are used for LES and non-LES particles. Default is -1, corresponding to a single (weak-coupling) temperature bath.

temp1 Initial temperature. For the initial dynamics run, (NTX .lt. 3) the velocities are assigned from a Maxwellian distribution at TEMPI K. If TEMPI = 0.0, the velocities will be calculated from the forces instead. TEMPI has no effect if NTX .gt. 3. Default 0.0.

ig The seed for the pseudo-random number generator. The MD starting velocity is dependent on the random number generator seed if NTX .lt. 3 .and. TEMPI .ne. 0.0. The value of this seed also affects the set of pseudo-random values used for Langevin dynamics or Andersen coupling, and hence should be set to a different value on each restart if *ntt* = 2 or 3. Default 71277. If *ig* = -1, the random seed will be based on the current date and time, and hence will be different for every run.

tautp Time constant, in ps, for heat bath coupling for the system, if *ntt* = 1. Default is 1.0. Generally, values for TAUTP should be in the range of 0.5-5.0 ps, with a smaller value providing tighter coupling to the heat bath and, thus, faster heating and a less natural trajectory. Smaller values of TAUTP result in smaller fluctuations in kinetic energy, but larger fluctuations in the total energy. Values much larger than the length of the simulation result in a return to constant energy conditions.

gamma_In The collision frequency γ , in ps^{-1} , when *ntt* = 3. A simple Leapfrog integrator is used to propagate the dynamics, with the kinetic energy adjusted to be correct for the harmonic oscillator case. [25, 26] Note that it is not necessary that γ approximate the physical collision frequency, which is about 50 ps^{-1} for liquid water. In fact, it is often advantageous, in terms of sampling or stability of integration, to use much smaller values, around 2 to 5 ps^{-1} . [26, 27] Default is 0.

vrand If *vrand* > 0 and *ntt* = 2, the velocities will be randomized to temperature TEMPO every *vrand* steps.

vlimit If not equal to 0.0, then any component of the velocity that is greater than $\text{abs}(\text{VLIMIT})$ will be reduced to VLIMIT (preserving the sign). This can be used to avoid occasional instabilities in molecular dynamics runs. VLIMIT should generally be set to a value like 20 (the default), which is well above the most probable velocity in a Maxwell-Boltzmann distribution at room temperature. A warning message will be printed whenever the velocities are modified. Runs that have more than a few such warnings should be carefully examined.

2.6.9. Pressure regulation

In "constant pressure" dynamics, the volume of the unit cell is adjusted (by small amounts on each step) to make the computed pressure approach the target pressure, *pres0*. Equilibration with *ntp* > 0 is generally necessary to adjust the density of the system to appropriate values. Note that fluctuations in the instantaneous pressure on each step will appear to be large (several hundred bar), but the average value over many steps should be close to the target pressure. Pressure regulation only applies when Constant Pressure periodic boundary conditions are used (*ntb* = 2). Pressure coupling algorithms used in Amber are of the "weak-coupling" variety, analogous to temperature coupling. [20] Please note: in general you will need to equilibrate the temperature to something like the final temperature using constant volume (*ntp*=0) before switching on constant pressure simulations to adjust the system to the correct density. If you fail to do this, the program will try to adjust the density too quickly, and bad things (such as SHAKE failures) are likely to happen.

ntp Flag for constant pressure dynamics. This option should be set to 1 or 2 when Constant Pressure periodic boundary conditions are used (*NTB* = 2).

= 0 Used with *NTB* not = 2 (default); no pressure scaling

= 1 md with isotropic position scaling

= 2 md with anisotropic (x-,y-,z-) pressure scaling: this should only be used with orthogonal boxes (i.e. with all angles set to 90 o). Anisotropic scaling is primarily intended for non-isotropic systems, such as membrane simulations, where the surface tensions are different in different directions; it is generally not appropriate for solutes dissolved in water.

pres0 Reference pressure (in units of bars, where 1 bar 1 atm) at which the system is maintained (when *NTP* > 0). Default 1.0.

comp compressibility of the system when *NTP* > 0. The units are in 1.0E-06/bar; a value of 44.6 (default) is appropriate for water.

taup Pressure relaxation time (in ps), when *NTP* > 0. The recommended value is between 1.0 and 5.0 psec. Default value is 1.0, but larger values may sometimes be necessary (if your trajectories seem unstable).

2.6.10. SHAKE bond length constraints

ntc Flag for SHAKE to perform bond length constraints. [28] (See also NTF in the **Potential function** section. In particular, typically NTF = NTC.) The SHAKE option should be used for most MD calculations. The size of the MD timestep is determined by the fastest motions in the system. SHAKE removes the bond stretching freedom, which is the fastest motion, and consequently allows a larger timestep to be used. For water models, a special "three-point" algorithm is used. [29] Consequently, to employ TIP3P set NTF = NTC = 2.

Since SHAKE is an algorithm based on dynamics, the minimizer is not aware of what SHAKE is doing; for this reason, minimizations generally should be carried out without SHAKE. One exception is short minimizations whose purpose is to remove bad contacts before dynamics can begin.

For parallel versions of *sander* only intramolecular atoms can be constrained. Thus, such atoms must be in the same chain of the originating PDB file.

= 1 SHAKE is not performed (default)

= 2 bonds involving hydrogen are constrained

= 3 all bonds are constrained (not available for parallel or qmmm runs in *sander*)

tol Relative geometrical tolerance for coordinate resetting in shake. Recommended maximum: <0.00005 Angstrom Default 0.00001.

jfastw Fast water definition flag. By default, the system is searched for water residues, and special routines are used to SHAKE these systems. [29]

= 0 Normal operation. Waters are identified by the default names (given below), unless they are redefined, as described below.

= 4 Do not use the fast SHAKE routines for waters.

The following variables allow redefinition of the default residue and atom names used by the program to determine which residues are waters.

WATNAM The residue name the program expects for water. Default 'WAT'.

OWTNM The atom name the program expects for the oxygen of water. Default 'O'.

HWTNM1 The atom name the program expects for the 1st H of water. Default 'H1'.

HWTNM2 The atom name the program expects for the 2nd H of water. Default 'H2'.

noshakemask String that specifies atoms that are not to be shaken (assuming that ntc>1). Any bond that would otherwise be shaken by virtue of the *ntc* flag, but which involves an atom flagged here, will *not* be shaken. The syntax for this string is given in Chap. 13.5. Default is an empty string, which matches nothing. A typical use would be to remove SHAKE constraints from all or part of a solute, while still shaking rigid

2.6. General minimization and dynamics parameters

water models like TIPnP or SPC/E. Another use would be to turn off SHAKE constraints for the parts of the system that are being changed with thermodynamic integration, or which are the EVB or quantum regions of the system.

If this option is invoked, then all parts of the potential must be evaluated, that is, *ntf* must be one. The code enforces this by setting *ntf* to 1 when a *noshakemask* string is present in the input.

If you want the *noshakemask* to apply to all or part of the water molecules, you must also set *jfastw=4*, to turn off the special code for water SHAKE. (If you are not shaking waters, you presumably also want to issue the "set default FlexibleWater on" command in LEaP; see that chapter for more information.)

2.6.11. Water cap

ivcap Flag to control cap option. The "cap" refers to a spherical portion of water centered on a point in the solute and restrained by a soft half-harmonic potential. For the best physical realism, this option should be combined with *igb=10*, in order to include the reaction field of waters that are beyond the cap radius.

= 0 Cap will be in effect if it is in the *prmtop* file (default).

= 1 With this option, a cap can be excised from a larger box of water. For this, *cutcap* (i.e., the radius of the cap), *xcap*, *ycap*, and *zcap* (i.e., the location of the center of the cap) need to be specified in the *&cntrl* namelist. Note that the cap parameters must be chosen such that the whole solute is covered by solvent. Solvent molecules (and counterions) located outside the cap are ignored. Although this option also works for minimization and dynamics calculations in general, it is intended to post-process snapshots in the realm of MM-PBSA to get a linear-response approximation of the solvation free energy, output as 'Protein-solvent interactions'.

= 2 Cap will be inactivated, even if parameters are present in the *prmtop* file.

= 5 With this option, a shell of water around a solute can be excised from a larger box of water. For this, *cutcap* (i.e., the thickness of the shell) needs to be specified in the *&cntrl* namelist. Solvent molecules (and counterions) located outside the cap are ignored. This option only works for a single-step minimization. It is intended to post-process snapshots in the realm of MM-PBSA to get a linear-response approximation of the solvation free energy, output as 'Protein-solvent interactions'.

fcap The force constant for the cap restraint potential.

cutcap Radius of the cap, if *ivcap=1* is used.

xcap,ycap,zcap Location of the cap center, if *ivcap=1* is used.

2. Sander basics

2.6.12. NMR refinement options

(Users should consult the section NMR refinement to see the context of how the following parameters would be used.)

iscale	Number of additional variables to optimize beyond the 3N structural parameters. (Default = 0). At present, this is only used with residual dipolar coupling and CSA or pseudo-CSA restraints.
noeskp	The NOESY volumes will only be evaluated if $\text{mod}(\text{nstep}, \text{noeskp}) = 0$; otherwise the last computed values for intensities and derivatives will be used. (default = 1, i.e. evaluate volumes at every step)
ipnlty	This parameter determines the functional form of the penalty function for NOESY volume and chemical shift restraints. = 1 the program will minimize the sum of the absolute values of the errors; this is akin to minimizing the crystallographic R-factor (default). = 2 the program will optimize the sum of the squares of the errors. = 3 For NOESY intensities, the penalty will be of the form $\text{awt}[I_c^{1/6} - I_o^{1/6}]^2$. Chemical shift penalties will be as for $\text{ipnlty}=1$.
mxsub	Maximum number of submolecules that will be used. This is used to determine how much space to allocate for the NOESY calculations. Default 1.
scalml	"Mass" for the additional scaling parameters. Right now they are restricted to all have the same value. The larger this value, the slower these extra variables will respond to their environment. Default 100 amu.
pencut	In the summaries of the constraint deviations, entries will only be made if the penalty for that term is greater than PENCUT. Default 0.1.
tausw	For noesy volume calculations ($\text{NMROPT} = 2$), intensities with mixing times less than TAUSW (in seconds) will be computed using perturbation theory, whereas those greater than TAUSW will use a more exact theory. See the theory section (below) for details. To always use the "exact" intensities and derivatives, set TAUSW = 0.0; to always use perturbation theory, set TAUSW to a value larger than the largest mixing time in the input. Default is TAUSW of 0.1 second, which should work pretty well for most systems.

2.7. Potential function parameters

The parameters in this section generally control what sort of force field (or potential function) is used for the simulation.

2.7.1. Generic parameters

ntf Force evaluation. Note: If SHAKE is used (see NTC), it is not necessary to calculate forces for the constrained bonds.

- = 1 complete interaction is calculated (default)
- = 2 bond interactions involving H-atoms omitted (use with NTC=2)
- = 3 all the bond interactions are omitted (use with NTC=3)
- = 4 angle involving H-atoms and all bonds are omitted
- = 5 all bond and angle interactions are omitted
- = 6 dihedrals involving H-atoms and all bonds and all angle interactions are omitted
- = 7 all bond, angle and dihedral interactions are omitted
- = 8 all bond, angle, dihedral and non-bonded interactions are omitted

ntb Periodic boundary. If NTB .EQ. 0 then a boundary is NOT applied regardless of any boundary condition information in the topology file. The value of NTB specifies whether constant volume or constant pressure dynamics will be used. Options for constant pressure are described in a separate section below.

- = 0 no periodicity is applied and PME is off
- = 1 constant volume (default)
- = 2 constant pressure

If NTB .NE. 0, there must be a periodic boundary in the topology file. Constant pressure is not used in minimization (IMIN=1, above).

For a periodic system, constant pressure is the only way to equilibrate density if the starting state is not correct. For example, the solvent packing scheme used in LEaP can result in a net void when solvent molecules are subtracted which can aggregate into "vacuum bubbles" in a constant volume run. Another potential problem are small gaps at the edges of the box. The upshot is that almost every system needs to be equilibrated at constant pressure ($ntb=2$, $ntp>0$) to get to a proper density. But be sure to equilibrate first (at constant volume) to something close to the final temperature, before turning on constant pressure.

dielc Dielectric multiplicative constant for the electrostatic interactions. Default is 1.0. Please note this is NOT related to dielectric constants for generalized Born simulations.

cut This is used to specify the nonbonded cutoff, in Angstroms. For PME, the cutoff is used to limit direct space sum, and the default value of 8.0 is usually a good value. When $igb>0$, the cutoff is used to truncate nonbonded pairs (on an atom-by-atom basis); here a larger value than the default is generally required. A separate parameter (**RGBMAX**) controls the maximum distance between atom pairs that will be considered in carrying out the pairwise summation involved in calculating the effective Born radii, see the generalized Born section below.

2. Sander basics

scnb	1-4 vdW interactions are divided by SCNB. Default 2.0.
scee	1-4 electrostatic interactions are divided by SCEE; the 1991 and previous force fields used 2.0, while the 1994 force field uses 1.2. Default is 1.2.
nsnb	Determines the frequency of nonbonded list updates when <i>igb=0</i> and <i>nbflag=0</i> ; see the description of <i>nbflag</i> for more information. Default is 25.
ipol	When set to 1, use a polarizable force field. See Section 2.7.5 for more information. Default is 0.
ifqnt	Flag for QM/MM run; if set to 1, you must also include a <i>&qmmm</i> namelist. See Section 6.4 for details on this option. Default is 0.
igb	Flag for using the generalized Born or Poisson-Boltzmann implicit solvent models. See Section 3.1 for information about using this option. Default is 0.
ievb	If set to 1, use the empirical valence bond method to compute energies and forces. See Section 6.3 for information about this option. Default is 0.
iamoeba	Flag for using the <i>amoeba</i> polarizable potentials of Ren and Ponder. [30, 31] When this option is set to 1, you need to prepare an <i>amoeba</i> namelist with additional parameters. Also, the <i>prmtop</i> file is built in a special way. See Section 3.4 for more information about this option. Default is 0.

2.7.2. Particle Mesh Ewald

The Particle Mesh Ewald (PME) method is always "on", unless *ntb* = 0. PME is a fast implementation of the Ewald summation method for calculating the full electrostatic energy of a unit cell (periodic box) in a macroscopic lattice of repeating images. The PME method is fast since the reciprocal space Ewald sums are B-spline interpolated on a grid and since the convolutions necessary to evaluate the sums are calculated via fast Fourier transforms. Note that the accuracy of the PME is related to the density of the charge grid (NFFT1, NFFT2, and NFFT3), the spline interpolation order (ORDER), and the direct sum tolerance (DSUM_TOL); see the descriptions below for more information.

The particle mesh Ewald (PME) method was implemented originally in Amber 3a by Tom Darden, and has been developed in subsequent versions of Amber by many people, in particular by Tom Darden, Celeste Sagui, Tom Cheatham and Mike Crowley. [32–35] Generalizations of this method to systems with polarizable dipoles and electrostatic multipoles is described in Refs. [36, 37].

The *&ewald* namelist is read immediately after the *&cntrl* namelist. We have tried hard to make the defaults for these parameters appropriate for solvated simulations. *Please take care in changing any values from their defaults.* The *&ewald* namelist has the following variables:

nfft1, nfft2, nfft3 These give the size of the charge grid (upon which the reciprocal sums are interpolated) in each dimension. Higher values lead to higher accuracy (when the DSUM_TOL is also lowered) but considerably slow the calculation. Generally it has been found that reasonable results are obtained when NFFT1, NFFT2 and

2.7. Potential function parameters

NFFT3 are approximately equal to A, B and C, respectively, leading to a grid spacing ($A/NFFT1$, etc) of 1.0 \AA . Significant performance enhancement in the calculation of the fast Fourier transform is obtained by having each of the integer NFFT1, NFFT2 and NFFT3 values be a *product of powers* of 2, 3, and 5. If the values are not given, the program will chose values to meet these criteria.

- order The order of the B-spline interpolation. The higher the order, the better the accuracy (unless the charge grid is too coarse). The minimum order is 3. An order of 4 (the default) implies a cubic spline approximation which is a good standard value. Note that the cost of the PME goes as roughly the order to the third power.
- verbose Standard use is to have VERBOSE = 0. Setting VERBOSE to higher values (up to a maximum of 3) leads to voluminous output of information about the PME run.
- ew_type Standard use is to have EW_TYPE = 0 which turns on the particle mesh ewald (PME) method. When EW_TYPE = 1, instead of the approximate, interpolated PME, a *regular* Ewald calculation is run. The number of reciprocal vectors used depends upon RSUM_TOL, or can be set by the user. The exact Ewald summation is present mainly to serve as an accuracy check allowing users to determine if the PME grid spacing, order and direct sum tolerance lead to acceptable results. Although the cost of the exact Ewald method formally increases with system size at a much higher rate than the PME, it may be faster for small numbers of atoms (< 500). For larger, macromolecular systems, with > 500 atoms, the PME method is significantly faster.
- dsum_tol This relates to the width of the direct sum part of the Ewald sum, requiring that the value of the direct sum at the Lennard-Jones cutoff value (specified in CUT as during standard dynamics) be less than DSUM_TOL. In practice it has been found that the relative error in the Ewald forces (RMS) due to cutting off the direct sum at CUT is between 10.0 and 50.0 times DSUM_TOL. Standard values for DSUM_TOL are in the range of 10^{-6} to 10^{-5} , leading to estimated RMS deviation force errors of 0.00001 to 0.0005. Default is 10^{-5} .
- rsum_tol This serves as a way to generate the number of reciprocal vectors used in an Ewald sum. Typically the relative RMS reciprocal sum error is about 5-10 times RSUM_TOL. Default is 5×10^{-5} .
- mlimit(1,2,3) This allows the user to explicitly set the number of reciprocal vectors used in a regular Ewald run. Note that the sum goes from -MLIMIT(2) to MLIMIT(2) and -MLIMIT(3) to MLIMIT(3) with symmetry being used in first dimension. Note also the sum is truncated outside an automatically chosen sphere.
- ew_coeff Ewald coefficient, in \AA^{-1} . Default is determined by *dsum_tol* and *cutoff*. If it is explicitly inputted then that value is used, and *dsum_tol* is computed from *ew_coeff* and *cutoff*.
- nbflag If *nbflag* = 0, construct the direct sum nonbonded list in the "old" way, *i.e.* update the list every *nsnb* steps. If *nbflag* = 1 (the default when *imin* = 0 or *ntb* > 0), *nsnb* is ignored, and the list is updated whenever any atom has moved more than $1/2 \text{ skinnb}$ since the last list update.

2. Sander basics

skinnb	Width of the nonbonded "skin". The direct sum nonbonded list is extended to <i>cut</i> + <i>skinnb</i> , and the van der Waals and direct electrostatic interactions are truncated at <i>cut</i> . Default is 2.0 Å. Use of this parameter is required for energy conservation, and recommended for all PME runs.
nbtell	If <i>nbtell</i> = 1, a message is printed when any atom has moved far enough to trigger a list update. Use only for debugging or analysis. Default of 0 inhibits the message.
netfric	The basic "smooth" PME implementation used here does not necessarily conserve momentum. If <i>netfric</i> = 1, (the default) the total force on the system is artificially removed at every step. This parameter is set to 0 if minimization is requested, which implies that the gradient is an accurate derivative of the energy. You should only change this parameter if you really know what you are doing.
vdwmeth	Determines the method used for van der Waals interactions beyond those included in the direct sum. A value of 0 includes no correction; the default value of 1 uses a continuum model correction for energy and pressure.
eedmeth	Determines how the switch function for the direct sum Coulomb interaction is evaluated. The default value of 1 uses a cubic spline. A value of 2 implies a linear table lookup. A value of three implies use of an "exact" subroutine call. When <i>eedmeth</i> =4, no switch is used (<i>i.e.</i> the bare Coulomb potential is evaluated in the direct sum, cut off sharply at CUT). When <i>eedmeth</i> =5, there is no switch, and a distance-dependent dielectric is used (<i>i.e.</i> the distance dependence is $1/r^2$ rather than $1/r$). The last two options are intended for non-periodic calculations, where no reciprocal term is computed.
eedtdns	Density of spline or linear lookup table, if <i>eedmeth</i> is 1 or 2. Default is 500 points per unit.
column_fft	1 or 0 flag to turn on or off, respectively, column-mode fft for parallel runs. The default mode is slab mode which is efficient for low processor counts. The column method can be faster for larger processor counts since there can be more columns than slabs and the communications pattern is less congested. This flag has no effect on non-parallel runs. Users should test the efficiency of the method in comparison to the default method before performing long calculations. Default is 0 (off).

2.7.3. Using IPS for the calculation of nonbonded interactions

Isotropic Periodic Sum (IPS) is a method for long-range interaction calculation. [38–40] Unlike Ewald method, which uses periodic boundary images to calculate long range interactions, IPS uses isotropic periodic images of a local region to calculate the long-range contribution beyond the cutoff distance *cut*.

ips Flag to control nonbonded interaction calculation method. The *cut* value will be used to define the IPS radius. When IPS is used for electrostatic interaction, PME will be turned off.

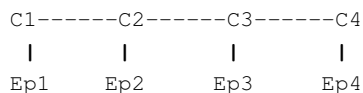
= 0 IPS will not be used (default).

- = 1 IPS will be used for both electrostatic and VDW interactions.
- = 2 IPS will be used only for electrostatic interactions.
- = 3 IPS will be used only for VDW interactions.

2.7.4. Extra point options

Several parameters deal with "extra-points" (sometimes called lone-pairs), which are force centers that are not at atomic positions. These are currently defined as atoms with "EP" in their names. These input variables are really only for the convenience of force-field developers; *do not change the defaults unless you know what you are doing, and have read the code*. These variables are set in the &ewald namelist.

- frameon** If *frameon* is set to 1, (default) the bonds, angles and dihedral interactions involving the lone pairs/extra points are removed except for constraints added during parm. The lone pairs are kept in ideal geometry relative to local atoms, and resulting torques are transferred to these atoms. To treat extra points as regular atoms, set *frameon*=0.
- chnngmask** If *chnngmask*=1 (default), new 1-1, 1-2, 1-3 and 1-4 interactions are calculated. An extra point belonging to an atom has a 1-1 interaction with it, and participates in any 1-2, 1-3 or 1-4 interaction that atom has. For example, suppose (excusing the geometry) C1,C2,C3,C4 form a dihedral and each has 1 extra point attached as below



The 1-4 interactions include C1-C4, Ep1-C4, C1-Ep4, and Ep1-Ep4. (To see a printout of all 1-1, 1-2, 1-3 and 1-4 interactions set *verbose*=1.) These interactions are masked out of nonbonds. Thus the amber mask list is rebuilt from these 1-1, 1-2, 1-3 and 1-4 pairs. A separate list of 1-4 nonbonds is then compiled. This list does not agree in general with the above 1-4, since a 1-4 could also be a 1-3 if its in a ring. See the *ephi()* routine for the precise algorithm involved here. The list of 1-4 nonbonds is printed if *verbose*=1.

2.7.5. Polarizable potentials

The following parameters are relevant for *polarizable potentials*, that is, when *ipol* is set to 1 in the &cntrl namelist. These variables are set in the &ewald namelist.

- indmeth** If *indmeth* is 0, 1, or 2 then the nonbond force is called iteratively until successive estimates of the induced dipoles agree to within DIPTOL (default 0.0001 debye) in the root mean square sense. The difference between *indmeth* = 0, 1, or 2 have to do with the level of extrapolation (1st, 2nd or 3rd-order) used from previous time steps for the initial guess for dipoles to begin the iterative loop. So far 2nd order (*indmeth*=1) seems to work best.

2. Sander basics

	If <code>indmeth = 3</code> , use a Car-Parinello scheme wherein dipoles are assigned a fictitious mass and integrated each time step. This is much more efficient and is the current default. Note that this method is unstable for $dt > 1$ fs.
<code>diptol</code>	Convergence criterion for dipoles in the iterative methods. Default is 0.0001 Debye.
<code>maxiter</code>	For iterative methods (<code>indmeth < 3</code>), this is the maximum number of iterations allowed per time step. Default is 20.
<code>dipmass</code>	The fictitious mass assigned to dipoles. Default value is 0.33, which works well for 1fs time steps. If <code>dipmass</code> is set much below this, the dynamics are rapidly unstable. If set much above this the dynamics of the system are affected.
<code>diptau</code>	This is used for temperature control of the dipoles (for <code>indmeth=3</code>). If <code>diptau</code> is greater than 10 (ps units) temperature control of dipoles is turned off. Experiments so far indicate that running the system in NVE with no temperature control on induced dipoles leads to a slow heating, barely noticeable on the 100ps time scale. For runs of length 10ps, the energy conservation with this method rivals that of SPME for standard fixed charge systems. For long runs, we recommend setting a weak temperature control (e.g. 9.99 ps) on dipoles as well as on the atoms. Note that to achieve good energy conservation with iterative method, the <code>diptol</code> must be below 10^{-7} debye, which is much more expensive. Default is 11 ps (<i>i.e.</i> default is turned off).
<code>irstdip</code>	If <code>indmeth=3</code> , a restart file for dipole positions and velocities is written along with the restart for atomic coordinates and velocities. If <code>irstdip=1</code> , the dipolar positions and velocities from the <code>inpdip</code> file are read in. If <code>irstdip=0</code> , an iterative method is used for step 1, after which Car-Parrinello is used.
<code>scaldip</code>	To scale 1-4 charge-dipole and dipole-dipole interactions the same as 1-4 charge-charge (<i>i.e.</i> divided by <code>scee</code>) set <code>scaldip=1</code> (default). If <code>scaldip=0</code> the 1-4 charge-dipole and dipole-dipole interactions are treated the same as other dipolar interactions (<i>i.e.</i> divided by 1).

2.7.6. Dipole Printing

By including a `&dipoles` namelist containing a series of groups, at the end of the input file, the printing of permanent, induced and total dipoles is enabled.

The X, Y and Z components of the dipole (in debye) for each group will be written to `mdout` every NTPR steps. In order to avoid ambiguity with charged groups all of the dipoles for a given group are calculated with respect to the centre of mass of that group.

It should be noted that the permanent, inducible and total dipoles will be printed regardless of whether a *polarizable potential* is in use. However, only the permanent dipole will have any physical meaning when *non-polarizable potentials* are in use.

It should also be noted that the groups used in the dipole printing routines are not exclusive to these routines and so the dipole printing procedure can only be used when group input is *not* in use for something else (*i.e.* restraints).

2.7.7. Detailed MPI Timings

`profile_mpi` Adjusts whether detailed per thread timings should be written to a file called `profile_mpi` when running `sander` in parallel. By default only average timings are printed to the output file. This is done for performance reasons, especially when running multisander runs. However for development it is useful to know the individual timings for each mpi thread. When running in serial the value of `profile_mpi` is ignored.

= 0 No detailed MPI timings will be written (default).

= 1 A detailed breakdown of the timings for each MPI thread will be written to the file: `profile_mpi`.

2.8. Varying conditions

This section of information is read (if `NMROPT > 0`) as a series of namelist specifications, with name "&wt". This namelist is read repeatedly until a namelist &wt statement is found with `TYPE=END`.

`TYPE` Defines quantity being varied; valid options are listed below.

`ISTEP1,ISTEP2` This change is applied over steps/iterations `ISTEP1` through `ISTEP2`. If `ISTEP2 = 0`, this change will remain in effect from step `ISTEP1` to the end of the run at a value of `VALUE1` (`VALUE2` is ignored in this case). (*default= both 0*)

`VALUE1,VALUE2` Values of the change corresponding to `ISTEP1` and `ISTEP2`, respectively. If `ISTEP2=0`, the change is fixed at `VALUE1` for the remainder of the run, once step `ISTEP1` is reached.

`IINC` If `IINC > 0`, then the change is applied as a step function, with `IINC` steps/iterations between each change in the target `VALUE` (ignored if `ISTEP2=0`). If `IINC =0`, the change is done continuously. (*default=0*)

`IMULT` If `IMULT=0`, then the change will be linearly interpolated from `VALUE1` to `VALUE2` as the step number increases from `ISTEP1` to `ISTEP2`. (*default*) If `IMULT=1`, then the change will be effected by a series of multiplicative scalings, using a single factor, `R`, for all scalings. i.e.

$$\text{VALUE2} = (\text{R}^{**}\text{INCREMENTS}) * \text{VALUE1}.$$

`INCREMENTS` is the number of times the target value changes, which is determined by `ISTEP1`, `ISTEP2`, and `IINC`.

The remainder of this section describes the options for the `TYPE` parameter. For a few types of cards, the meanings of the other variables differ from that described above; such differences are noted below. Valid Options for `TYPE` (you must use uppercase) are:

`BOND` Varies the relative weighting of bond energy terms.

2. Sander basics

ANGLE	Varies the relative weighting of valence angle energy terms.
TORSION	Varies the relative weighting of torsion (and J-coupling) energy terms. Note that any restraints defined in the input to the PARM program are included in the above. Improper torsions are handled separately (IMPROP).
IMPROP	Varies the relative weighting of the "improper" torsional terms. These are not included in TORSION.
VDW	Varies the relative weighting of van der Waals energy terms. This is equivalent to changing the well depth (epsilon) by the given factor.
HB	Varies the relative weighting of hydrogen-bonding energy terms.
ELEC	Varies the relative weighting of electrostatic energy terms.
NB	Varies the relative weights of the non-bonded (VDW, HB, and ELEC) terms.
ATTRACT	Varies the relative weights of the attractive parts of the van der waals and h-bond terms.
REPULSE	Varies the relative weights of the repulsive parts of the van der waals and h-bond terms.
RSTAR	Varies the effective van der Waals radii for the van der Waals (VDW) interactions by the given factor. Note that this is done by changing the relative attractive and repulsive coefficients, so ATTRACT/REPULSE should not be used over the same step range as RSTAR.
INTERN	Varies the relative weights of the BOND, ANGLE and TORSION terms. "Improper" torsions (IMPROP) must be varied separately.
ALL	Varies the relative weights of all the energy terms above (BOND, ANGLE, TORSION, VDW, HB, and ELEC; does not affect RSTAR or IMPROP).
REST	Varies the relative weights of *all* the NMR restraint energy terms.
RETS	Varies the weights of the "short-range" NMR restraints. Short-range restraints are defined by the SHORT instruction (see below).
RESTL	Varies the weights of any NMR restraints which are not defined as "short range" by the SHORT instruction (see below). When no SHORT instruction is given, RESTL is equivalent to REST.
NOESY	Varies the overall weight for NOESY volume restraints. Note that this value multiplies the individual weights read into the "awt" array. (Only if NMROPT=2; see Section 4 below).
SHIFTS	Varies the overall weight for chemical shift restraints. Note that this value multiplies the individual weights read into the "wt" array. (Only if NMROPT=2; see section 4 below).

SHORT Defines the short-range restraints. For this instruction, ISTEP1, ISTEP2, VALUE1, and VALUE2 have different meanings. A short-range restraint can be defined in two ways.

(1) If the residues containing each pair of bonded atoms comprising the restraint are close enough in the primary sequence:

$$\text{ISTEP1} \leq \text{ABS}(\text{delta_residue}) \leq \text{ISTEP2},$$

where delta_residue is the difference in the numbers of the residues containing the pair of bonded atoms.

(2) If the distances between each pair of bonded atoms in the restraint fall within a prescribed range:

$$\text{VALUE1} \leq \text{distance} \leq \text{VALUE2}.$$

Only one SHORT command can be issued, and the values of ISTEP1, ISTEP2, VALUE1, and VALUE2 remain fixed throughout the run. However, if IINC>0, then the short-range interaction list will be re-evaluated every IINC steps.

TGTRMSD Varies the RMSD target value for targeted MD.

TEMPO Varies the target temperature TEMPO.

TEMP0LES Varies the LES target temperature TEMP0LES.

TAUTP Varies the coupling parameter, TAUTP, used in temperature scaling when temperature coupling options NTT=1 is used.

CUT Varies the non-bonded cutoff distance.

NSTEP0 If present, this instruction will reset the initial value of the step counter (against which ISTEP1/ISTEP2 and NSTEP1/NSTEP2 are compared) to the value ISTEP1. An NSTEP0 instruction only has an effect at the beginning of a run. For this card (only) ISTEP2, VALUE1, VALUE2 and IINC are ignored. If this card is omitted, NSTEP0 = 0. This card can be useful for simulation restarts, where NSTEP0 is set to the final step on the previous run.

STPMLT If present, the NMR step counter will be changed in increments of STPMLT for each actual dynamics step. For this card, only VALUE1 is read. ISTEP1, ISTEP2, VALUE2, IINC, and IMULT are ignored. Default = 1.0.

DISAVE, ANGAVE, TORAVE If present, then by default time-averaged values (rather than instantaneous values) for the appropriate set of restraints will be used. DISAVE controls distance data, ANGAVE controls angle data, TORAVE controls torsion data. See below for the functional form used in generating time-averaged data.

For these cards: VALUE1 = τ (characteristic time for exponential decay) VALUE2 = POWER (power used in averaging; the nearest integer of value2 is used) Note that the range (ISTEP1→ISTEP2) applies only to TAU; The value of POWER is

2. Sander basics

not changed by subsequent cards with the same ITYPE field, and time-averaging will always be turned on for the entire run if one of these cards appears.

Note also that, due to the way that the time averaged internals are calculated, changing τ at any time after the start of the run will only affect the relative weighting of steps occurring after the change in τ . Separate values for τ and POWER are used for bond, angle, and torsion averaging.

The default value of τ (if it is 0.0 here) is 1.0D+6, which results in no exponential decay weighting. Any value of $\tau \geq 1.0D+6$ will result in no exponential decay.

If DISAVE, ANGAVE, or TORAVE is chosen, one can still force use of an instantaneous value for specific restraints of the particular type (bond, angle, or torsion) by setting the IFNTYP field to "1" when the restraint is defined (IFNTYP is defined in the DISANG file).

If time-averaging for a particular class of restraints is being performed, all restraints of that class that are being averaged (that is, all restraints of that class except those for which IFNTYP=1) *must* have the same values of NSTEP1 and NSTEP2 (NSTEP1 and NSTEP2 are defined below). (For these cards, IINC and IMULT are ignored) See the discussion of time-averaged restraints following the input descriptions.

DISAVI, ANGAVI, TORAVI

ISTEP1: Ignored.

ISTEP2: Sets IDMPAV. If IDMPAV > 0, *and* a dump file has been specified (DUMPAVE is set in the file redirection section below), then the time-averaged values of the restraints will be written every IDMPAV steps. Only one value of IDMPAV can be set (corresponding to the first DISAVI/ANGAVI/TORAVI card with ISTEP2 > 0), and *all* restraints (even those with IFNTYP=1) will be "dumped" to this file every IDMPAV steps. The values reported reflect the current value of τ .

VALUE1: The integral which gives the time-averaged values is undefined for the first step. By default, for each time-averaged internal, the integral is assigned the current value of the internal on the first step. If VALUE1 \neq 0, this initial value of internal r is reset as follows:

```
-1000. < VALUE1 < 1000.: Initial value = r_initial + VALUE1  
VALUE1 <= -1000.: Initial value = r_target + 1000.  
1000. <= VALUE1 : Initial value = r_target - 1000.
```

r_target is the target value of the internal, given by R2+R3 (or just R3, if R2 is 0). VALUE1 is in angstroms for bonds, in degrees for angles.

VALUE2: This field can be used to set the value of τ used in calculating the time-averaged values of the internal restraints reported at the end of a simulation (if LISTOUT is specified in the redirection section below). By default, no exponential decay weighting is used in calculating the final reported values, regardless of what value of τ was used during the simulation. If

VALUE2>0, then $\tau = \text{VALUE2}$ will be used in calculating these final reported averages. Note that the value of VALUE2 = τ specified here only affects the reported averaged values in at the end of a simulation. It does not affect the time-averaged values used during the simulation (those are changed by the VALUE1 field of DISAVE, ANGAVE and TORAVE instructions).

IINC: If IINC = 0, then forces for the class of time-averaged restraints will be calculated exactly as $(dE/dr_{ave}) (dr_{ave}/dx)$. If IINC = 1, then forces for the class of time-averaged restraints will be calculated as $(dE/dr_{ave}) (dr(t)/dx)$. Note that this latter method results in a non-conservative force, and does not integrate to a standard form. But this latter formulation helps avoid the large forces due to the $(1+i)$ term in the exact derivative calculation—and may avert instabilities in the molecular dynamics trajectory for some systems. See the discussion of time-averaged restraints following the input description. Note that the DISAVI, ANGAVI, and TORAVI instructions will have no affect unless the corresponding time average request card (DISAVE, ANGAVE or TORAVE, respectively) is also present.

DUMPFREQ Istep1 is the only parameter read, and it sets the frequency at which the coordinates in the distance or angle restraints are dumped to the file specified by the DUMPAVE command in the I/O redirection section. (For these cards, ISTEP1 and IMULT are ignored).

END END of this section.

NOTES:

1. All weights are relative to a default of 1.0 in the standard force field.
2. Weights are not cumulative.
3. For any range where the weight of a term is not modified by the above, the weight reverts to 1.0. For any range where TEMP0, SOFTR or CUTOFF is not specified, the value of the relevant constant is set to that specified in the input file.
4. If a weight is set to 0.0, it is set internally to 1.0D-7. This can be overridden by setting the weight to a negative number. In this case, a weight of exactly 0.0 will be used. *However*, if any weight is set to exactly 0.0, it cannot be changed again during this run of the program.
5. If two (or more) cards change a particular weight over the same range, the weight given on the last applicable card will be the one used.
6. Once any weight change for which NSTEP2=0 becomes active (i.e. one which will be effective for the remainder of the run), the weight of this term cannot be further modified by other instructions.
7. Changes to RSTAR result in exponential weighting changes to the attractive and repulsive terms (proportional to the scale factor**6 and **12, respectively). For this reason, scaling RSTAR to a very small value (e.g. ≤ 0.1) may result in a zeroing-out of the vdw term.

2.9. File redirection commands

Input/output redirection information can be read as described here. Redirection cards must follow the end of the weight change information. Redirection card input is terminated by the first non-blank line which does not start with a recognized redirection TYPE (e.g. LISTIN, LISTOUT, etc.).

The format of the redirection cards is

$$\text{TYPE} = \text{filename}$$

where TYPE is any valid redirection keyword (see below), and filename is any character string. The equals sign ("=") is required, and TYPE must be given in *uppercase* letters.

Valid redirection keywords are:

- LISTIN An output listing of the restraints which have been read, and their deviations from the target distances *before* the simulation has been run. By default, this listing is not printed. If POUT is used for the filename, these deviations will be printed in the normal output file.
- LISTOUT An output listing of the restraints which have been read, and their deviations from the target distances *after* the simulation has finished. By default, this listing is not printed. If POUT is used for the filename, these deviations will be printed in the normal output file.
- DISANG The file from which the distance and angle restraint information described below (Section 6.1) will be read.
- NOESY File from which NOESY volume information (Section 6.2) will be read.
- SHIFTS File from which chemical shift information (Section 6.3) will be read.
- PCSHIFT File from which paramagnetic shift information (Section 6.3) will be read.
- DIPOLE File from which residual dipolar couplings (Section 6.5) will be read.
- CSA File from which CSA or pseduo-CSA restraints (Section 6.6) will be read.
- DUMPAVE File to which the time-averaged values of all restraints will be written. If DISAVI / ANGAVI / TORAVI has been used to set IDMPAV \neq 0, then averaged values will be output. If the DUMPFREQ command has been used, the instantaneous values will be output.

2.10. Getting debugging information

The debug options in *sander* are there principally to help developers test new options or to test results between two machines or versions of code, but can also be useful to users who want to test the effect of parameters on the accuracy of their ewald or pme calculations. If the debug options are set, *sander* will exit after performing the debug tasks set by the user.

To access the debug options, include a &debug namelist. Input parameters are:

2.10. Getting debugging information

`do_debug` Flag to perform this module. Possible values are zero or one. Default is zero. Set to one to turn on debug options.

One set of options is to test that the atomic forces agree with numerical differentiation of energy.

`atomn` Array of atom numbers to test atomic forces on. Up to 25 atom numbers can be specified, separated by commas.

`nranatm` number of random atoms to test atomic forces on. Atom numbers are generated via a random number generator.

`ranseed` seed of random number generator used in generating atom numbers default is 71277

`neglgdel` negative log of delta used in numerical differentiating; e.g. 4 means delta is 10^{-4} Angstroms. Default is 5. *Note:* In general it does no good to set `neglgdel` larger than about 6. This is because the relative force error is at best the square root of the numerical error in the energy, which ranges from 10^{-15} up to 10^{-12} for energies involving a large number of terms.

`chkvir` Flag to test the atomic and molecular virials numerically. Default is zero. Set to one to test virials.

`dumpfrc` Flag to dump energies, forces and virials, as well as components of forces (bond, angle forces etc.) to the file "forcedump.dat" This produces an ascii file. Default is zero. Set to one to dump forces.

`rmsfrc` Flag to compare energies forces and virials as well as components of forces (bond, angle forces etc.) to those in the file "forcedump.dat". Default is zero. Set to one to compare forces.

Several other options are also possible to modify the calculated forces.

`zerochg` Flag to zero all charges before calculating forces. Default zero. Set to one to remove charges.

`zerovdw` Flag to remove all van der Waals interactions before calculating forces. Default zero. Set to one to remove van der Waals.

`zerodip` Flag to remove all atomic dipoles before calculating forces. Only relevant when polarizability is invoked.

`do_dir`, `do_rec`, `do_adj`, `do_self`, `do_bond`, `do_cbond`, `do_angle`, `do_ephi`, `do_xconst`, `do_cap` These are flags which turn on or off the subroutines they refer to. The defaults are one. Set to zero to prevent a subroutine from running. For example, set `do_dir=0` to turn off the direct sum interactions (van der Waals as well as electrostatic). These options, as well as the `zerochg`, `zerovdw`, `zerodip` flags, can be used to fine tune a test of forces, accuracy etc.

EXAMPLES:

This input list tests the reciprocal sum forces on atom 14 numerically, using a delta of 10^{-4} .

2. Sander basics

```
&debugf
neglgdel=4, nranatm = 0, atomn = 14,
do_debugf = 1,do_dir = 0,do_adj = 0,do_rec = 1, do_self = 0,
do_bond = 1,do_angle = 0,do_ephi = 0, zerovdw = 0, zerochg = 0,
chkvir = 0,
dumpfrc = 0,
rmsfrc = 0,
/
```

This input list causes a dump of force components to "forcedump.dat". The bond, angle and dihedral forces are not calculated, and van der Waals interactions are removed, so the total force is the Ewald electrostatic force, and the only non-zero force components calculated are electrostatic.

```
&debugf
neglgdel=4, nranatm = 0, atomn = 0,
do_debugf = 1,do_dir = 1,do_adj = 1,do_rec = 1, do_self = 1,
do_bond = 0,do_angle = 0,do_ephi = 0, zerovdw = 1, zerochg = 0,
chkvir = 0,
dumpfrc = 1,
rmsfrc = 0,
/
```

In this case the same force components as above are calculated, and compared to those in "forcedump.dat". Typically this is used to get an RMS force error for the Ewald method in use. To do this, when doing the force dump use ewald or pme parameters to get high accuracy, and then normal parameters for the force compare:

```
&debugf
neglgdel=4, nranatm = 0, atomn = 0,
do_debugf = 1,do_dir = 1,do_adj = 1,do_rec = 1, do_self = 1,
do_bond = 0,do_angle = 0,do_ephi = 0, zerovdw = 1, zerochg = 0,
chkvir = 0,
dumpfrc = 0,
rmsfrc = 1,
/
```

For example, if you have a 40x40x40 unit cell and want to see the error for default pme options (cubic spline, 40x40x40 grid), run 2 jobs—— (assume box params on last line of inpcrd file)

Sample input for 1st job:

```
&cntrl
dielc =1.0, scee = 1.2,
cut = 11.0, nsnb = 5, ibelly = 0,
ntx = 7, irect = 1,
ntf = 2, ntc = 2, tol = 0.0000005,
ntb = 1, ntp = 0, temp0 = 300.0, tautp = 1.0,
nstlim = 1, dt = 0.002, maxcyc = 5, imin = 0, ntmin = 2,
```


2.10. Getting debugging information

```
ntpr = 1, ntwx = 0, ntt = 0, ntr = 0,
jfastw = 0, nmrmax=0, ntave = 25,
/
&debugf
do_debugf = 1,do_dir = 1,do_adj = 1,do_rec = 1, do_self = 1,
do_bond = 0,do_angle = 0,do_ephi = 0, zerovdw = 1, zerochg = 0,
chkvir = 0,
dumpfrc = 1,
rmsfrc = 0,
/
&ewald
nfft1=60,nfft2=60,nfft3=60,order=6, ew_coeff=0.35,
/
```

Sample input for 2nd job:

```
&cntrl
dielc =1.0, scee = 1.2,
cut = 8.0, nsnb = 5, ibelly = 0,
ntx = 7, irect = 1,
ntf = 2, ntc = 2, tol = 0.0000005,
ntb = 1, ntp = 0, temp0 = 300.0, tautp = 1.0,
nstlim = 1, dt = 0.002, maxcyc = 5, imin = 0, ntmin = 2,
ntpr = 1, ntwx = 0, ntt = 0, ntr = 0,
jfastw = 0, nmrmax=0, ntave = 25,
/
&debugf
do_debugf = 1,do_dir = 1,do_adj = 1,do_rec = 1, do_self = 1,
do_bond = 0,do_angle = 0,do_ephi = 0, zerovdw = 1, zerochg = 0,
chkvir = 0,
dumpfrc = 0,
rmsfrc = 1,
/
&ewald
ew_coeff=0.35,
/
```

Note that an Ewald coefficient of 0.35 is close to the default error for an 8 Angstrom cutoff. However, the first job used an 11 Angstrom cutoff. The direct sum forces calculated in the 2nd job are compared to these, giving the RMS error due to an 8 Angstrom cutoff, with this value of `ew_coeff`. The reciprocal sum error calculated in the 2nd job is with respect to the pme reciprocal forces in the 1st job considered as "exact".

Note further that if in these two jobs you had not specified "`ew_coeff`" *sander* would have calculated `ew_coeff` according to the cutoff and the direct sum tolerance, defaulted to 10^{-5} . This would give two different ewald coefficients. Under these circumstances the direct, reciprocal and adjust energies and forces would not agree well between the two jobs. However the total

2. *Sander basics*

energy and forces should agree reasonably, (forces to within about 5×10^{-4} relative RMS force error) Since the totals are invariant to the coefficient.

Finally, note that if other force components are calculated, such as van der Waals, bond, angle etc. The total force will include these, and the relative RMS force errors will be with respect to this total force in the denominator.

3. Force field modifications

This chapter provides a number of sections describing how to use *sander* for particular types of problems. It should be read in conjunction with the previous chapter.

3.1. The Generalized Born/Surface Area Model

The generalized Born solvation model can be used instead of explicit water for non-polarizable force fields such as ff94 or ff99. To estimate the total solvation free energy of a molecule, ΔG_{solv} , one typically assumes that it can be decomposed into the "electrostatic" and "non-electrostatic" parts:

$$\Delta G_{solv} = \Delta G_{el} + \Delta G_{nonel} \quad (3.1)$$

where ΔG_{nonel} is the free energy of solvating a molecule from which all charges have been removed (i.e. partial charges of every atom are set to zero), and ΔG_{el} is the free energy of first removing all charges in the vacuum, and then adding them back in the presence of a continuum solvent environment. Generally speaking, ΔG_{nonel} comes from the combined effect of two types of interaction: the favorable van der Waals attraction between the solute and solvent molecules, and the unfavorable cost of breaking the structure of the solvent (water) around the solute. In the current Amber codes, this is taken to be proportional to the total solvent accessible surface area (SA) of the molecule, with a proportionality constant derived from experimental solvation energies of small non-polar molecules, and uses a fast LCPO algorithm [41] to compute an analytical approximation to the solvent accessible area of the molecule.

The Poisson-Boltzmann approach described in the next section has traditionally been used in calculating ΔG_{el} . However, in molecular dynamics applications, the associated computational costs are often very high, as the Poisson-Boltzmann equation needs to be solved every time the conformation of the molecule changes. Amber developers have pursued an alternative approach, the analytic generalized Born (GB) method, to obtain a reasonable, computationally efficient estimate to be used in molecular dynamics simulations. The methodology has become popular, [42–49] especially in molecular dynamics applications, [50–53] due to its relative simplicity and computational efficiency, compared to the more standard numerical solution of the Poisson-Boltzmann equation. Within Amber GB models, each atom in a molecule is represented as a sphere of radius R_i with a charge q_i at its center; the interior of the atom is assumed to be filled uniformly with a material of dielectric constant 1. The molecule is surrounded by a solvent of a high dielectric ϵ (80 for water at 300 K). The GB model approximates ΔG_{el} by an analytical formula, [42, 54]

$$\Delta G_{el} = -\frac{1}{2} \sum_{ij} \frac{q_i q_j}{f_{GB}(r_{ij}, R_i, R_j)} \left(1 - \frac{\exp[-\kappa f_{GB}]}{\epsilon} \right) \quad (3.2)$$

3. Force field modifications

where r_{ij} is the distance between atoms i and j , the R_i are the so-called *effective Born radii*, and $f_{GB}()$ is a certain smooth function of its arguments. The electrostatic screening effects of (monovalent) salt are incorporated [54] via the Debye-Huckel screening parameter κ .

A common choice [42] of f_{GB} is

$$f_{GB} = [r_{ij}^2 + R_i R_j \exp(-r_{ij}^2/4R_i R_j)]^{1/2} \quad (3.3)$$

although other expressions have been tried. [45, 55] The effective Born radius of an atom reflects the degree of its burial inside the molecule: for an isolated ion, it is equal to its van der Waals (VDW) radius ρ_i . Then one obtains the particularly simple form:

$$\Delta G_{el} = -\frac{q_i^2}{2\rho_i} \left(1 - \frac{1}{\epsilon}\right) \quad (3.4)$$

where we assumed $\kappa = 0$ (pure water). This is the famous expression due to Born for the solvation energy of a single ion. The function $f_{GB}()$ is designed to interpolate, in a clever manner, between the limit $r_{ij} \rightarrow 0$, when atomic spheres merge into one, and the opposite extreme $r_{ij} \rightarrow \infty$, when the ions can be treated as point charges obeying the Coulomb's law. [48] For deeply buried atoms, the effective radii are large, $R_i \gg \rho_i$, and for such atoms one can use a rough estimate $R_i \approx L_i$, where L_i is the distance from the atom to the molecular surface. Closer to the surface, the effective radii become smaller, and for a completely solvent exposed side-chain one can expect R_i to approach ρ_i .

The effective radii depend on the molecule's conformation, and so have to be re-computed every time the conformation changes. This makes the computational efficiency a critical issue, and various approximations are normally made that facilitate an effective estimate of R_i . In particular, the so-called *Coulomb field approximation*, or *CFA*, is often used, which replaces the true electric displacement around the atom by the Coulomb field. Within this assumption, the following expression can be derived: [48]

$$R_i^{-1} = \rho_i^{-1} - \frac{1}{4\pi} \int \theta(|\mathbf{r}| - \rho_i) r^{-4} d\mathbf{r} \quad (3.5)$$

where the integral is over the solute volume surrounding atom i . For a realistic molecule, the solute boundary (molecular surface) is anything but trivial, and so further approximations are made to obtain a closed-form analytical expression for the above equation, *e.g.* the so-called pairwise de-screening approach of Hawkins, Cramer and Truhlar, [56] which leads to a GB model implemented in Amber with *igb=1*. The 3D integral used in the estimation of the effective radii is performed over the van der Waals (VDW) spheres of solute atoms, which implies a definition of the solute volume in terms of a set of spheres, rather than the complex molecular surface, [57] commonly used in the PB calculations. For macromolecules, this approach tends to underestimate the effective radii for buried atoms, [48] arguably because the standard integration procedure treats the small vacuum-filled crevices between the van der Waals (VDW) spheres of protein atoms as being filled with water, even for structures with large interior. [55] This error is expected to be greatest for deeply buried atoms characterized by large effective radii, while for the surface atoms it is largely canceled by the opposing error arising from the Coulomb approximation, which tends [43, 47, 58] to overestimate R_i .

The deficiency of the model described above can, to some extent, be corrected by noticing that even the optimal packing of hard spheres, which is a reasonable assumption for biomolecules,

still occupies only about three quarters of the space, and so "scaling-up" of the integral by a factor of four thirds should effectively increase the underestimated radii by about the right amount, without any loss of computational efficiency. This idea was developed and applied in the context of pH titration, [48] where it was shown to improve the performance of the GB approximation in calculating pKa values of protein sidechains. However, the one-parameter correction introduced in Ref. [48] was not optimal in keeping the model's established performance on small molecules. It was therefore proposed [53] to re-scale the effective radii with the re-scaling parameters being proportional to the degree of the atom's burial, as quantified by the value I_i of the 3D integral. The latter is large for the deeply buried atoms and small for exposed ones. Consequently, one seeks a well-behaved re-scaling function, such that $R_i \approx (\rho_i^{-1} - I_i)^{-1}$ for small I_i , and $R_i > (\rho_i^{-1} - I_i)^{-1}$ when I_i becomes large. The following simple, infinitely differentiable re-scaling function was chosen to replace the model's original expression for the effective radii:

$$R_i^{-1} = \tilde{\rho}_i^{-1} - \rho_i^{-1} \tanh(\alpha\Psi - \beta\Psi^2 + \gamma\Psi^3) \quad (3.6)$$

where $\Psi = I_i\tilde{\rho}_i$, and α , β , γ are treated as adjustable dimensionless parameters which were optimized using the guidelines mentioned earlier (primarily agreement with the PB). Currently, Amber supports two GB models (termed OBC) based on this idea. These differ by the values of α , β , γ , and are invoked by setting *igb* to either *igb*=2 or *igb*=5. The details of the optimization procedure and the performance of the OBC model relative to the PB treatment and in MD simulations on proteins is described in Ref. [53]; an independent comparison to the PB in calculating the electrostatic part of solvation free energy on a large data set of proteins can be found in Ref. [59].

The generalized Born models used here are based on the "pairwise" model introduced by Hawkins, Cramer and Truhlar, [56, 60] which in turn is based on earlier ideas by Still and others. [42, 47, 58, 61] The so-called overlap parameters for most models are taken from the TINKER molecular modeling package (<http://tinker.wustl.edu>). The effects of added monovalent salt are included at a level that approximates the solutions of the linearized Poisson-Boltzmann equation. [54] The original implementation was by David Case, who thanks Charlie Brooks for inspiration. Details of our implementation of generalized Born models can be found in Refs. [62, 63].

3.1.1. GB/SA input parameters

As outlined above, there are several "flavors" of GB available, depending upon the value of *igb*. The version that has been most extensively tested corresponds to *igb*=1; the "OBC" models (*igb*=2 and 5) are newer, but appear to give significant improvements and are recommended for most projects (certainly for peptides or proteins). The newest, most advanced, and least extensively tested model, *GBn* (*igb*=7), yields results in considerably better agreement with molecular surface Poisson-Boltzmann and explicit solvent results than the "OBC" models under many circumstances. [64] The *GBn* model was parameterized for peptide and protein systems and is not recommended for use with nucleic acids. Users should understand that all (current) GB models have limitations and should proceed with caution. Generalized Born simulations can only be run for non-periodic systems, *i.e.* where *ntb*=0. The nonbonded cutoff for GB calculations should be greater than that for PME calculations, perhaps *cut*=16. The slowly-varying forces generally do not have to be evaluated at every step for GB, either *nrespa*=2 or 4.

3. Force field modifications

igb

- = 0 No generalized Born term is used. (Default)
- = 1 The Hawkins, Cramer, Truhlar [56, 60] pairwise generalized Born model is used, with parameters described by Tsui and Case. [62] This model uses the default radii set up by LEaP. It is slightly different from the GB model that was included in Amber6. If you want to compare to Amber 6, or need to continue an ongoing simulation, you should use the command "set default PBradii amber6" in LEaP, and set *igb*=1 in *sander*. For reference, the Amber6 values are those used by an earlier Tsui and Case paper. [51]
- = 2 Use a modified GB model developed by A. Onufriev, D. Bashford and D.A. Case; the main idea was published earlier, [48] but the actual implementation here [53] is an elaboration of this initial idea. Within this model, the effective Born radii are re-scaled to account for the interstitial spaces between atom spheres missed by the GB^{HCT} approximation. In that sense, GB^{OBC} is intended to be a closer approximation to true molecular volume, albeit in an average sense. With *igb*=2, the inverse of the effective Born radius is given by:
$$R_i^{-1} = \bar{\rho}_i^{-1} - \tanh(\alpha\Psi - \beta\Psi^2 + \gamma\Psi^3) / \rho_i$$
where $\bar{\rho}_i = \rho_i - offset$, and $\Psi = I\rho_i$, with *I* given in our earlier paper. The parameters α , β , and γ were determined by empirical fits, and have the values 0.8, 0.0, and 2.909125. This corresponds to model I in Ref [53]. With this option, you should use the LEaP command "set default PBradii mbondi2" or "set default PBradii bondi" to prepare the *prmtop* file.
- = 3 or 4 These values are unused; they were used in Amber 7 for parameter sets that are no longer supported.
- = 5 Same as *igb*=2, except that now α , β , γ are 1.0, 0.8, and 4.85. This corresponds to model II in Ref [53]. With this option, you should use the command "set default PBradii mbondi2" in setting up the *prmtop* file, although "set default PBradii bondi" is also OK. When tested in MD simulations of several proteins, [53] both of the above parameterizations of the "OBC" model showed equal performance, although further tests [59] on an extensive set of protein structures revealed that the *igb*=5 variant agrees better with the Poisson-Boltzmann treatment in calculating the electrostatic part of the solvation free energy.
- = 6 With this option, there is no continuum solvent model used at all; this corresponds to a non-periodic, "vacuum", model where the non-bonded interactions are just Lennard-Jones and Coulomb interactions. This option is logically equivalent to setting *igb*=0 and *eedmeth*=4, although the implementation (and computational efficiency) is not the same.
- = 7 The GB_n model described by Mongan, Simmerling, McCammon, Case and Onufriev [65] is employed. This model uses a pairwise correction term to GB^{HCT} to approximate a molecular surface dielectric boundary; that is to eliminate interstitial regions of high dielectric smaller than a solvent molecule.

3.1. The Generalized Born/Surface Area Model

This correction affects all atoms and is geometry-specific, going beyond the geometry-free, "average" re-scaling approach of GB^{OBC} , which mostly affects buried atoms. With this method, you should use the bondi radii set. The overlap or screening parameters in the *prmtop* file are ignored, and the model-specific *GBn* optimized values are substituted. The model carries little additional computational overhead relative to the other GB models described above. [65] This method is not recommended for systems involving nucleic acids.

=10 Calculate the reaction field and nonbonded interactions using a numerical Poisson-Boltzmann solver. This option is described in Section 6.2, below. Note that this is *not* a generalized Born simulation, in spite of its use of *igb*; it is rather an alternative continuum solvent model.

- intdiel** Sets the interior dielectric constant of the molecule of interest. Default is 1.0. Other values have not been extensively tested.
- extdiel** Sets the exterior or solvent dielectric constant. Default is 78.5.
- saltcon** Sets the concentration (M) of 1-1 mobile counterions in solution, using a modified generalized Born theory based on the Debye-Hückel limiting law for ion screening of interactions. [54] Default is 0.0 M (*i.e.* no Debye-Hückel screening.) Setting *saltcon* to a non-zero value does result in some increase in computation time.
- rgbmax** This parameter controls the maximum distance between atom pairs that will be considered in carrying out the pairwise summation involved in calculating the effective Born radii. Atoms whose associated spheres are farther way than *rgbmax* from given atom will not contribute to that atom's effective Born radius. This is implemented in a "smooth" fashion (thanks mainly to W.A. Svrcek-Seiler), so that when part of an atom's atomic sphere lies inside *rgbmax* cutoff, that part contributes to the low-dielectric region that determines the effective Born radius. The default is 25 Å, which is usually plenty for single-domain proteins of a few hundred residues. Even smaller values (of 10-15 Å) are reasonable, changing the functional form of the generalized Born theory a little bit, in exchange for a considerable speed-up in efficiency, and without introducing the usual cut-off artifacts such as drifts in the total energy.
The *rgbmax* parameter affects only the effective Born radii (and the derivatives of these values with respect to atomic coordinates). The *cut* parameter, on the other hand, determines the maximum distance for the electrostatic, van der Waals and "off-diagonal" terms of the generalized Born interaction. The value of *rgbmax* might be either greater or smaller than that of *cut*: these two parameters are independent of each other. However, values of *cut* that are too small are more likely to lead to artifacts than are small values of *rgbmax*; therefore one typically sets $rgbmax \leq cut$.
- rbornstat** If *rbornstat* = 1, the statistics of the effective Born radii for each atom of the molecule throughout the molecular dynamics simulation are reported in the output file. Default is 0.

3. Force field modifications

- offset** The dielectric radii for generalized Born calculations are decreased by a uniform value "offset" to give the "intrinsic radii" used to obtain effective Born radii. Default is 0.09 Å.
- gbsa** Option to carry out GB/SA (generalized Born/surface area) simulations. For the default value of 0, surface area will not be computed and will not be included in the solvation term. If $gbsa = 1$, surface area will be computed using the LCPO model. [41] If $gbsa = 2$, surface area will be computed by recursively approximating a sphere around an atom, starting from an icosahedra. Note that no forces are generated in this case, hence, $gbsa = 2$ only works for a single point energy calculation and is mainly intended for energy decomposition in the realm of MM_GBSA.
- surften** Surface tension used to calculate the nonpolar contribution to the free energy of solvation (when $gbsa = 1$), as $Enp = surften * SA$. The default is 0.005 kcal/mol/Å². [66]
- rdt** This parameter is only used for GB simulations with LES (Locally Enhanced Sampling). In GB+LES simulations, non-LES atoms require multiple effective Born radii due to alternate descreening effects of different LES copies. When the multiple radii for a non-LES atom differ by less than RDT, only a single radius will be used for that atom. See the LES portion of the manual for more details. Default is 0.0 Å.

3.1.2. ALPB (Analytical Linearized Poisson-Boltzmann)

Like the GB model, the ALPB approximation [67, 68] can be used to replace the need for explicit solvent, with similar benefits (such as enhanced conformational sampling) and caveats. The basic ALPB equation that approximates the electrostatic part of the solvation free energy is

$$\Delta G_{el} \approx \Delta G_{alpb} = -\frac{1}{2} \left(\frac{1}{\epsilon_{in}} - \frac{1}{\epsilon_{ex}} \right) \frac{1}{1 + \alpha\beta} \sum_{ij} q_i q_j \left(\frac{1}{f_{GB}} + \frac{\alpha\beta}{A} \right)$$

where $\beta = \epsilon_{in}/\epsilon_{ex}$ is the ratio of the internal and external dielectrics, $\alpha=0.571412$, and A is the so-called *effective electrostatic size* of the molecule, see the definition of $Arad$ below. Here f_{GB} is the same smooth function as in the GB model. The GB approximation is then just the special case of ALPB when the solvent dielectric is infinite; however, for finite values of solvent dielectric the ALPB tends to be more accurate. For aqueous solvation, the accuracy advantage offered by the ALPB is still noticeable, and becomes more pronounced for less polar solvents. Statistically significant tests on macromolecular structures [68] have shown that ALPB is more likely to be a better approximation to PB than GB. At the same time, ALPB has virtually no additional computational overhead relative to GB. However, users should realize that at this point the new model has not yet been tested nearly as extensively as the GB model, and is therefore in its experimental stage. The model can potentially replace GB in the energy analysis of snapshots via the MM-GB/SA scheme. The electrostatic screening effects of monovalent salt are currently introduced into the ALPB in the same manner as in the GB, and are determined by the parameter *saltcon*.

- alpb** Flag for using ALPB to handle electrostatic interactions within the implicit solvent model.

- = 0 No ALPB (default).
- = 1 ALPB is turned on. Requires that one of the GB models is also used to compute the effective Born radii, that is one must set *igb*=1,2,5, or 7. The ALPB uses the same sets of radii as required by the particular GB model.

arad Effective electrostatic size (radius) of the molecule. Characterizes its over-all dimensions and global shape, and is not to be confused with the effective Born radius of an atom. An appropriate value of *Arad* must be set if *alpb*=1: this can be conveniently estimated for your input structure with the utility *elsize* that comes with the main distribution. The default is 15 Å. While *Arad* may change during the course of a simulation, these changes are usually not very large; the accuracy of the ALPB is found to be rather insensitive to these variations. In the current version of Amber *Arad* is treated as constant throughout the simulation, the validity of this assumption is discussed in Ref. [68]. Currently, the effective electrostatic size is only defined for "single-connected" molecules. However, the ALPB model can still be used to treat the important case of complex formation. In the docked state, the compound is considered as one, with its electrostatic size well defined. When the ligand and receptor become infinitely separated, each can be assigned its own value of *Arad*.

3.2. Poisson-Boltzmann calculations

An efficient finite-difference numerical solver [69, 70] is implemented in *pbsa/sander* for various applications of the Poisson-Boltzmann (PB) method. In the following, a brief introduction to the PB method and the numerical solver is given first. This is followed by a brief discussion of the supported PB applications and a detailed description of the keywords. Finally example input files are explained for typical PB applications. For more background information and how to use the PB method, please consult cited references and online Amber PB tutorial pages.

3.2.1. Introduction

Solvation interactions, especially solvent-mediated dielectric screening and Debye-Huckel screening, are thought to be one of the essential determinants of the structure and function of proteins and nucleic acids. [71] Ideally, one would like to provide a detailed description of solvent through explicit simulation of a large number of solvent molecules. This approach is frequently used in molecular dynamics simulations of solution systems. In many applications, however, the solute is the focus of interest, and the detailed properties of the solvent are not of central importance. In such cases, a simplified representation of the solvent, based on an approximation of the mean-force potential for the solvation interactions, can be employed to accelerate the computation. The mean-force potential averages out the degrees of freedom of solvent molecules, so that they are often called implicit or continuum solvents.

The Poisson-Boltzmann (PB) solvents are a class of widely used implicit solvents. [72, 73] They have been demonstrated to be reliable in reproducing the energetics and conformations as compared with explicit solvent simulations and experimental measurements for a wide range of systems. In these models, a solute is represented by an atomic-detail model as in a molecular mechanics force field, while the solvent molecules and any dissolved electrolyte are treated

3. Force field modifications

as a structureless continuum. The solute intramolecular interactions are computed by the usual molecular mechanics force field terms, while the solute-solvent and solvent-solvent interactions are computed by a mean-field approximation through the use of the PB electrostatic theory. The electrostatic model represents the solute as a dielectric body whose shape is defined by atomic coordinates and atomic cavity radii. [74] The solute contains a set of point charges at atomic centers that produce an electrostatic field in the solute region and the solvent region. The electrostatic fields in such a system, including the solvent reaction field and the Coulombic field, may be computed by solving the PB equation. [75, 76] The nonelectrostatic or nonpolar solvation interactions are typically modeled with a term proportional to the solvent accessible surface area. An alternative method to model the nonpolar solvation interactions is also implemented in this release. [77] The new method separates the nonpolar solvation interactions into two terms: the attractive (dispersion) and repulsive (cavity) interactions. Doing so significantly improves the correlation between the cavity free energies and solvent accessible surface areas for branched and cyclic organic molecules. [78] This is in contrast to the commonly used strategy that correlates total nonpolar solvation energies with solvent accessible surface areas, which only correlates well for linear aliphatic molecules. [66] In the new method, the attractive free energy is computed by a numerical integration over the solvent accessible surface area that accounts for solvation attractive interactions with an infinite cutoff. [79]

The formalism with which a PB solvent can be applied in molecular mechanics simulations is based on a rigorous foundation in statistical mechanics, at least for additive molecular mechanics force fields. PB solvents approximate the solvent-induced electrostatic mean-force potential by computing the reversible work done in the process of charging the atomic charges in a solute molecule as $\frac{1}{2} \sum_j Q_j \phi_j$ with j running over all atomic charges. The electrostatic potential ϕ is computed by solving the PB equation:

$$\nabla \epsilon(\mathbf{r}) \nabla \phi(\mathbf{r}) = -4\pi \rho(\mathbf{r}) - 4\pi \sum_i z_i c_i \exp(-z_i \phi(\mathbf{r})/k_B T) \quad (3.7)$$

where $\epsilon(\mathbf{r})$ is the dielectric constant, $\phi(\mathbf{r})$ is the electrostatic potential, $\rho(\mathbf{r})$ is the solute charge, z_i is the charge of ion type i , c_i is the number density of ion type i far from the solute, k_B is the Boltzmann constant, and T is the temperature; the summation is over all different ion types. In this release, only the linearized form of the PB equation is supported.

Many numerical methods may be used to solve the linearized PB equation. The finite-difference (FD) method is one of the most popular methods in computational studies of biomolecules. [80–82] It involves the following steps: mapping atomic charges to the FD grid points (termed grid charges below); assigning non-periodic/periodic boundary conditions, i.e. electrostatic potentials on the boundary surfaces of the finite-difference grid; and applying a dielectric model to define the boundary between high-dielectric (i.e. water) and low-dielectric (i.e. solute interior) regions. [83]

These steps allow the partial differential equation to be converted into a linear system $\mathbf{A}\mathbf{x} = \mathbf{b}$ with the electrostatic potential on grid points, \mathbf{x} as unknowns, the charge distribution on the grid points as the source \mathbf{b} , and the dielectric constant on the grid edges and salt-related terms wrapped into the coefficient matrix \mathbf{A} , which is a seven-banded symmetric matrix. Once the linear system is solved, the solution is used to compute the electrostatic energies and forces.

It has been shown that the total electrostatic energy of a solute molecule can be approximated through the FD approach by subtracting the self FD Coulombic energy ($G_{coul,shelf}^{FD}$) and the short-range FD Coulombic energy ($G_{coul,short}^{FD}$) from the total FD electrostatic energy

($G_{coul,total}^{FD}$), and adding back the analytical short-range Coulombic energy ($G_{coul,short}^{ana}$) (see for example [70]). The self FD Coulombic energy is due to interactions of grid charges within one single atom. The self energy exists even when the atomic charge is exactly positioned on one grid point. It also exists in the absence of solvent and any other charges. It apparently is a pure artifact of the FD approach and must be removed. The short-range FD Coulombic energy is due to interactions between grid charges in two different atoms that are separated by a short distance, usually less than 14 grid units. The short-range Coulombic energy is inaccurate because the atomic charges are mapped onto their eight nearest FD grids, thus causing deviation from the analytical Coulomb energy. The correction of $G_{coul,shelf}^{FD}$ and $G_{coul,short}^{FD}$ is made possible by the work of Luty and McCammon's analytical approach to compute FD Coulombic interactions. [84] Therefore, the PB electrostatic interactions include both Coulombic interactions and reaction field interactions for all atoms of the solute. The total electrostatic energy is given in the energy component EEL(EC) in the output file. The term that is reserved for the reaction field energy, EPB, is zero if this method is used. If you want to know how much of EEL(EC) is the reaction field energy, you can run FDPB twice, once with *epsout* = 80, and once with *epsout* = 1.

An alternative method of computing the total electrostatic interactions is also implemented in this release. In this method, the reaction field energy is computed directly after the induced surface charges are first computed at the dielectric boundary (i.e. the surface that separates solute and solvent). These surface charges are then used to compute the reaction field energy, [71] and is given as the EPB term. It has been shown that doing so improves the convergence of reaction field energy with respect to the FD grid spacing. However, a drawback of this method is that the Coulombic energy has to be recomputed analytically with a pairwise summation procedure. When this method is used, the EEL(EC) term only gives the Coulombic energy with a cutoff distance provided in the input file.

If requested, the ECAVITY term returns either the total nonpolar solvation free energy or the cavity solvation free energy, and the EDISPER term returns the dispersion solvation free energy.

Note that the accuracy of PB is related to the FD grid spacing, the convergence criterion for the PB solver, and the method used for computing total electrostatic interactions. In Lu and Luo, [70] the accuracy of the first method for total electrostatic interactions is discussed in detail. In the second method presented above, the total electrostatic interactions strongly depend on the cutoff distance used in the pairwise summations of charge-charge interactions. The accuracy of nonpolar solvation energy depends on the quality of solvent accessible surface area which is computed numerically by representing each atomic surface by spherically distributed dots. Thus a higher dot density gives more accurate atomic surface area and molecular surface area. However, it is found by the Amber developers that the default setting for the dot density is quite sufficient for typical applications. [77]

PB calculations are memory intensive for macromolecules. Thus, the efficiency of PB depends on how much memory is allocated for it and the performance of the memory subsystem. The option that is directly related to its memory allocation is the finite-difference grid spacing. To make PB run faster, it is possible to change the PB code to single precision as in many widely available numerical PB solvers. Make sure you have successfully installed *pbsa/sander* by running all related test cases before you do this.

3. Force field modifications

3.2.2. Usage and keywords

The PB procedure can be turned on by setting $igb = 10$. The procedure can be used for both static (single point) and dynamic applications. The default setting of keywords is for static calculations, so please carefully follow the keyword descriptions and examples to change the input files for dynamic applications.

The current PB implementation can be used both as a pure implicit solvent just as GB (see section 3.1) and as a limited hybrid explicit-implicit solvent for water CAP simulations (see section 2.6.11). The water CAP should be set up in Leap using the `solvateCap` option (see example inputs in the next section).

Static calculations

The PB procedure can be invoked by using $IMIN = 1$ or 5 for static calculations. It is recommended that the second method ($DBFOPT = 1$) for total electrostatic interactions be used for static calculations. As discussed above, the cutoff distance for charge-charge interactions strongly influences the accuracy of electrostatic interactions. The default setting is infinity, i.e. no cutoff is used ($CUTNB = 0$). In this method, the convergence of the reaction field energy with respect to the grid spacing ($SPACE$) is much better than that of the first method. Our experience shows that the reaction field energy converges within 1% for over 800 tested proteins, protein domains, and nucleic acids at a grid spacing of 0.5. The reaction field energy computed with this method is also in excellent agreement with the *Delphi* program for the tested systems. Examples showing this comparison are in the *amber10/examples/pbsa-delphi* subdirectory.

For static calculations, $NPOPT$ can be set to nonzero to choose one of the two treatments of nonpolar solvation interactions. [77] You can use the molecular solvent-accessible-surface area (SASA) to correlate total nonpolar solvation free energy. I.e. $G_{np} = NP_TENSION * SASA + NP_OFFSET$ as in PARSE. [66] You can also use SASA to correlate the cavity term only and use a surface-integration approach to compute the dispersion term. [77] I.e. $G_{np} = G_{disp} + G_{cavity}$, with $G_{cavity} = CAVITY_TENSION * SASA + CAVITY_OFFSET$. When this option is used, $RADIOPT$ has to be set to 1, i.e. the radii set optimized by Tan and Luo to mimic G_{np} in the TIP3P explicit solvent. [77] Otherwise, there is no guarantee of consistence between the implemented nonpolar implicit solvent and the TIP3P explicit solvent. In this release, more options are added in the second approach, i.e. when $NPOPT = 2$. See the discussion of keywords following $NPOPT$ below. These options are described in Ref. [77].

Dynamic calculations

The PB procedure can also be invoked by setting $IMIN = 0$ for dynamics calculations. Since the nonpolar solvation energy has not been implemented for dynamics, please set $NPOPT$ to 0 to turn it off. It is recommended that the first method ($DBFOPT = 0$) for total electrostatic interactions be used for *hybrid explicit-implicit solvent* for water CAP simulations. This is a special case of the procedure described by Lu and Luo. [70] Specifically, the electrostatic energies and forces are determined with the first method described in the Introduction, but the dielectric surface is fixed at the boundary of the CAP waters. That is, in regions of space that are less than CAP radius from the CAP center (both of these are set with the "solvateCap" command in LEaP), the dielectric is taken to be EPSIN (typically 1.0); otherwise, the dielectric is EPSOUT (typically 80). This means that all electrostatic interactions are computed, and that

the electrostatic cutoffs (CUTRES and CUTFD, below) are just used to partition the electrostatic interactions into "short-range" and "long-range" contributions. (This is analogous to the way the CUT variable is used in PME.) Covalent interactions are computed in the usual way, and the Lennard-Jones interactions are computed out to a distance CUTNB, with no long-range correction for the missing dispersion terms.

It should be pointed out that "solvateCap" can be used to solvate either a small portion of a solute or all of a solute, depending on the center and radius of the water CAP. The two scenarios require very different implementations for efficiency even if the fundamental algorithm is the same. The implementation in this release is for the situation where a solute is solvated completely by the water CAP. If the water CAP option is detected in the prmtop file, i.e. IFCAP > 0, the PB procedure will ignore atoms outside the water CAP for its dielectric setup.

Because PB treats regions outside the water CAP (augmented by a buffer) as continuum, the explicit water molecules should stay inside the water CAP throughout a simulation. Thus a strong restraining harmonic potential should be used, the recommended value for FCAP is 10 kcal/mol-2. Note that the restraining force is only turned on when a water molecule moves outside the water CAP, so that its interference to the solute dynamics is small. Incidentally, this is also why the water CAP is augmented by a buffer in the definition of low dielectric region.

Users interested in dynamics simulations with *pure implicit solvent* are encouraged to test out the second method (DBFOPT = 1) for total electrostatic interactions with an infinite cutoff distance (CUTNB = 0). Doing so would be slow for most systems, but this is a safe way to perform PB dynamics due to the second method's very good convergence behavior. The first method (DBFOPT = 0) for total electrostatic interactions is not implemented for pure implicit solvent dynamics simulations in this release. Also keep in mind that NPOPT should be set to zero to turn off nonpolar solvation treatments just as dynamics simulations in hybrid solvent mentioned above.

All PB options described below can be defined in the &pb namelist, which is read immediately after the &cntrl namelist. We have tried hard to make the defaults for these parameters appropriate for solvated simulations. Please take care in changing any values. Note that it is not necessary to use the &pb namelist at all to turn on PB as long as *igb* = 10. Of course, this means that you only want to use default options for default applications of PB. The &pb namelist has the following variables:

epsin	Sets the dielectric constant of the solute region, default to 1.0. The solute region is defined to be the solvent excluded volume which in turn is computed numerically based on a numerical solvent accessible surface area represented as surface dots.
epsout	Sets the implicit solvent dielectric constant, default to 80. The solvent region is defined to be the space not occupied the solute region. I.e. only two dielectric regions are allowed in the current release.
istrng	Sets the ionic strength (in mM) for the Poisson-Boltzmann solvent; default is 0 mM.
pbtemp	Temperature used for the PB equation, needed to compute the Boltzmann factor for salt effects; default is 300 K.
radiopt	The option to set up atomic radii.

3. Force field modifications

- = 0** Use radii from the prmtop file for both the PB calculation and for the NP calculation (see below on NPOPT).
 - = 1** Use atom-type/charge-based radii by Tan and Luo [85] for the PB calculation. Note that the radii are optimized for Amber atom types as in standard residues from the Amber database. If a residue is build by *antechamber*, i.e. if GAFF atom types are used, radii from the prmtop file will be used. Please see [85] on how these radii are optimized. The procedure in [85] can also be used to optimize radii for non-standard residues. These optimized radii can be read in if they are incorporated into the prmtop file. This option also instructs *sander* to use van der Waals radii from the prmtop file for nonpolar solvation energy calculations (see below on NPOPT and USE_RMIN). Default.
- dprob Solvent probe radius for molecular surface used to define the dielectric boundary between solute and solvent, default to 1.6 Å, the sigma value of TIP3P water. To be backward compatible with Amber 9, DPROB = SPROB by default, i.e. it is set to be equal to SPROB if DPROB is not specified in the input file. In this release, SPROB has been reserved for the calculation of nonpolar solvation energy. See below.
- maxsph The PB procedure uses a numerical method to compute solvent accessible surface area. [77] MAXSPH variable gives the approximate number of dots to represent the maximum atomic solvent accessible surface, default to 400. These dots are first checked against covalently bonded atoms to see whether any of the dots are buried. The exposed dots from the first step are then checked against a nonbonded pair list with a cutoff distance of 9 to see whether any of the exposed dots from the first step are buried. The exposed dots of each atom after the second step then represent the solvent accessible portion of the atom and are used to compute the SASA of the atom. The molecular SASA is simply a summation of the atomic SASA's. A molecular SASA is used for both PB dielectric map assignment and for NP calculations.
- smoothopt instructs PB how to set up dielectric values for finite-difference edges that are located on the dielectric boundary.
- = 0** The dielectric constant of the boundary edges is always set to the harmonic average of EPSIN and EPSOUT. Default.
 - = 1** A weighted harmonic average of EPSIN and EPSOUT is used. The weights for EPSIN and EPSOUT are fractions of the boundary edges that are inside or outside the solute. [73]
- fillratio The ratio between the longest dimension of the rectangular finite-difference grid and that of the solute. Default to 2.0. It is suggested that a larger FILLRATIO, for example 4.0, be used for a small solute. Otherwise, part of the small solute may lie outside of the finite-difference grid, causing the finite-difference solver to fail.
- space Sets the grid spacing for the finite difference solver; default is 0.5.

3.2. Poisson-Boltzmann calculations

nbuffer	Sets how far away (in grid units) the boundary of the finite difference grid is away from the solute surface; default is 0 grids, i.e. automatically set to be at least a solvent probe (diameter) away.
accept	Sets the convergence criterion (relative) for the finite difference solver; default is 0.001.
maxitn	Sets the maximum number of iterations for the finite difference solver, default to 100. If MAXITN is reached during a simulation (with an accept value of 0.001), it usually indicates there is something wrong in the installation of the program.
dbfopt	Option to compute total electrostatic energy and forces. = 0 Compute total electrostatic energy and forces with an infinite cutoff distance with the particle-particle particle-mesh procedure outlined in Lu and Luo. [70] In doing so, energy term EPB in the output file is set to zero, while EEL(EC) includes both reaction field energy and Coulombic energy. = 1 Use dielectric boundary surface charges to compute reaction field energy and forces with an infinite cutoff distance. Default. Energy term EPB in the output file is reaction field energy. EEL(EC) is Coulombic energy computed according to the cutoff distance as specified by CUTNB below.
scalec	Option to compute reaction field energy and forces. = 0 Do not scale dielectric boundary surface charges before computing reaction field energy and forces. Default. = 1 Scale dielectric boundary surface charges using Gauss's law before computing reaction field energy and forces.
npbgrid	Sets how often the finite-difference grid is regenerated; default is 1 steps. For molecular dynamics simulations, it is recommended to be set to at least 100. If IFCAP is nonzero, a value as high as 1000 can be used because the water CAP dimension does not change during simulation. Note that the PB solver effectively takes advantage of the fact that the electrostatic potential distribution varies very slowly during dynamics simulations. This requires that the finite-difference grid be fixed in space for the code to be efficient. However, molecules do move freely in simulations. Thus, it is necessary to set up the finite-difference grid once in a while to make sure a molecule is well within the grid.
nsnbr	Sets how often residue-based pairlist is generated; default is 1 steps. For molecular dynamics simulations, a value of 25 is recommended.
nsnba	Sets how often atom-based pairlist is generated; default is 1 steps. For molecular dynamics simulations, a value of 5 is recommended.
cutres	Residue-based cutoff distance; default is 12 Å. The residue-based nonbonded list is used to make the generation of the atom-based cutoff list efficient.

3. Force field modifications

- cutfd** Atom-based cutoff distance to remove short-range finite-difference Coulombic interactions, and to add pairwise Coulombic interactions, default is 5 Å. See Eqn (20) in Lu and Luo. [70]
- cutnb** Atom-based cutoff distance for van der Waals interactions, and pairwise Coulombic interactions when DBFOPT = 1. Default to 0. When CUTNB is set to the default value of 0, no cutoff will be used for van der Waals and Coulombic interactions, i.e. all pairwise interactions will be included. When DBFOPT = 0, this is the cutoff distance used for van der Waals interactions only. Coulombic interactions are computed without cutoff.
- npopt** Option to select different methods to compute nonpolar solvation free energy.
- = 0 No nonpolar solvation free energy is computed.
 - = 1 The total nonpolar solvation free energy is modeled as a single term linearly proportional to the solvent accessible surface area, as in the PARSE parameter set. See above.
 - = 2 The total nonpolar solvation free energy is modeled as two terms: the cavity term and the dispersion term. Default. The dispersion term is computed with a surface-based integration method [77] closely related to the PCM solvent for quantum chemical programs. [79] Under this framework, the cavity term is still computed as a term linearly proportional to the molecular surface (SASA) or the molecular volume enclosed by SASA. With this option, please do not use RADIOPT = 0, i.e. the radii in the prmtop file. Otherwise, a warning will be issued in the output file.
- decompopt** Option to select different decomposition schemes when NPOPT = 2. See [77] for detailed discussion of the different schemes. The default is 1, to be backward compatible with Amber 9. However, the recommended option is DECOMPOPT = 2, the σ decomposition scheme, which is the best of the three schemes studied. [77] As discussed in Ref. [77], DECOMPOPT = 1 is not a very accurate approach even if it is more straightforward to understand the decomposition.
- = 1 The 6/12 decomposition scheme.
 - = 2 The σ decomposition scheme.
 - = 3 The WCA decomposition scheme.
- use_rmin** The option to set up van der Waals radii for NPOPT = 2. The default is not to use *rmin* to be backward compatible with Amber 9. However, use of *rmin* improves the agreement with TIP3P [77], so it is recommended.
- = 0 Use atomic van der Waals σ values. Default.
 - = 1 Use atomic van der Waals *rmin* values.
- sprob** Solvent probe radius for molecular surface (SASA) used to compute the dispersion term, default to 1.6 Å, the sigma value of the TIP3P OW atom. The recommended

value is 0.557 Å in the σ decomposition scheme as optimized in [77] with respect to the TIP3P solvent in PME. Recommended values for other decomposition schemes can be found in Table 4 of [77]. If USE_SAV = 0 (see below), SPROB can be used to compute SASA for the cavity term as well. Unfortunately, the recommended value is different from that used in the dispersion term calculation as documented in Ref. [77]. Thus two separate calculations are needed, one for the dispersion term and one for the cavity term when USE_SAV = 0. Therefore, please carefully read Ref. [77] before proceeding with the option of USE_AVE = 0. Note that SPROB was used for ALL three terms of solvation free energies, i.e. electrostatic, attractive, and repulsive terms in Amber 9. However, it was found in a more recent study [77] that it was impossible to use the same probe radii for all three terms after each term was calibrated and validated with respect to the TIP3P solvent. [77, 85]

- vprob Solvent probe radius for molecular volume (the volume enclosed by SASA) used to compute nonpolar cavity solvation free energy, default to 1.300 Å, the value optimized in [77] with respect to the TIP3P solvent. Recommended values for other decomposition schemes can be found in Tables 1-3 of [77]. See the discussion in SPROB above.
- rho_effect Effective water density used in the nonpolar dispersion term calculation, default to 1.000. The recommended value is 1.129 for DECOMPOPT = 2, the σ scheme. This was optimized in [77] with respect to the TIP3P solvent in PME. Optimized values for other decomposition schemes can be found in Table 4 of [77].
- use_sav The option to use molecular volume (the volume enclosed by SASA) or to use molecular surface (SASA) for cavity term calculation. The default is to use SASA to be backward compatible with Amber 9. Recent study shows that the molecular volume approach transfers better from small training molecules to biomacromolecules (Tan and Luo, In Preparation).
- = 0 Use the molecular surface (SASA) to estimate cavity free energy. Default.
- = 1 Use the molecular volume enclosed by SASA.
- cavity_surften The regression coefficient for the linear relation between the total nonpolar solvation free energy (NPOPT = 1) or the cavity free energy (NPOPT = 2) and SASA/volume enclosed by SASA. The default value is for NPOPT = 2 and set to be backward compatible with Amber 9, but not for NPOPT = 1. The recommended value is 0.0378 when DECOMPOPT = 2, USE_RMIN = 1, and USE_SAV = 1. See recommended values in Tables 1-3 for other combinations of options.
- cavity_offset The regression offset for the linear relation between the total nonpolar solvation free energy (NPOPT = 1) or the cavity free energy (NPOPT = 2) and SASA/volume enclosed by SASA. The default value is for NPOPT = 2 and set to be backward compatible with Amber 9, but not for NPOPT = 1. The recommended value is -0.5692 when DECOMPOPT = 2, USE_RMIN = 1, and USE_SAV = 1. See recommended values in Tables 1-3 for other combinations of options.

3. Force field modifications

phiout The PB procedure can be used to output spacial distribution of electrostatic potential for visualization.

= 0 No potential file is printed out. Default.

= 1 Electrostatic potential will be printed out in a file named *pbsa.phi*. Please see Amber PB tutorials on how to display electrostatic potential on molecular surface.

phiform Controls the format of the electrostatic potential file.

= 0 The electrostatic potential (kT/mol-e) is printed in the *Delphi* binary format. Default.

= 1 The electrostatic potential (kcal/mol-e) is printed in the Amber ascii format.

npbverb When set to 1, turns on verbose mode for PB calculations; default is 0.

3.2.3. Example inputs

Static calculations.

Here is a sample input file that might be used to perform single structure calculations.

```
Sample single point PB calculation
&cntrl
ntx=1,  irest=0,
imin=1,  ntmin=2,  maxcyc=0,
ntpr=1,  igb=10,  ntb=0,
ntc=1,  ntf=1
/
&pb
npbverb=1,  istrng=0,  epsout=80.0,  epsin=1.0,
radiopt=1,  dprob=1.6
space=0.5,  nbuffer=0,  fillratio=4,
accept=0.001,
cutnb=0,  dbfopt=1,
npopt=2,  decomopt=2,  use_rmin=1,  sprob=0.557,  vprob=1.300,
rhow_effect=1.129,  use_sav=1,
cavity_surften=0.0378,  cavity_offset=-0.5692
/
```

Note that NPBVERB = 1 above. This generates many detailed information in the output file for the PB and NP calculations. A useful printout is atomic SASA data for both PB and NP calculations which may or may not use the same atomic radius definition. Since the FD solver for PB is called twice to perform electrostatic focus calculations, two PB printouts are shown for each single point calculation. For the PB calculation, a common error is the use of the default value of 2 for FILLRATIO for small molecules. This may cause a solute lie outside of the focusing finite-difference grid.

In this example NPOPT is set to the default value of 2, which calls for nonpolar solvation calculation with the new method that separates cavity and dispersion interactions. The EDISPER term gives the dispersion solvation free energy, and the ECAVITY term gives the cavity solvation free energy. The sample input options above for the NP calculation are set to the recommended values for the σ decomposition scheme and to use molecular volume to correlate with cavity free energy. You can find recommended values for other decomposition schemes and other options in Tables 1-4 of [77]. If NPOPT is set to 1, the ECAVITY term would give the total nonpolar solvation free energy.

If IMIN is set to be 5, the above input file can also be used to post-process a *sander* trajectory. Also keep in mind that such calculations are usually for structures without explicit water molecules. You can use *ptraj* to generate water-free *inpcrd* and trajectory files for these calculations.

You can also use *sander* to produce an electrostatic potential map for visualization in *pymol* when setting PHIOUT = 1. By default, *sander* outputs a file *pbsa.phi* in the *Delphi* binary format. The sample input file is listed below:

```
Sample PB visualization input
&cntrl
ntx=1, irect=0,
imin=1, ntmin=2, maxcyc=0,
ntpr=1, igb=10, ntb=0,
ntc=1, ntf=1
/
&pb
npbverb=1, istrng=0, epsout=80.0, epsin=1.0,
space=1., accept=0.001,
sprob=1.4, cutnb=9,
phiout=1, phiform=0
/
```

To be consistent with the surface routine of *pymol*, the option PHIOUT = 1 instructs *sander* to use the radii as defined in *pymol*. The finite-difference grid is also set to be cubic as in *Delphi*. The SPROB value should be set to that used in *pymol*, 1.4 Å. A large grid spacing, e.g. 1 Å or higher, is recommended for visualization purposes. Otherwise, the potential file would be very large. In principle, it is possible to visualize the potential file in *VMD*, but we have not validated this program. More detailed information on static single-point PB calculations can be found on online Amber PB tutorial pages.

Dynamic calculations.

Since the PB procedure is called for static calculations by default, several default options must be changed if you want to test the procedure for dynamics simulations. For hybrid explicit-implicit solvent dynamics simulations, the following sample input file can be used:

```
Sample water CAP simulation with PB reaction field correction
&cntrl
ntx=1, irect=0, imin=0,
ntpr=500, ntwx=1000, ntwr=5000,
nstlim=1000, dt=0.001,
```

3. Force field modifications

```
ntt=1, temp0=300, tempi=0, tautp=0.1,
igb=10, ntb=0, cut=0, fcap=10.0, ivcap=0,
ntc=2, ntf=2, tol=0.000001
/
&pb
npbverb=0, npbgrid=1000, nsnbr=25, nsnba=5,
epsin=1.0, epsout=80.0,
space=0.7, accept=0.001,
smoothopt=1, dbfopt=0,
npopt=0,
cutres=12, cutnb=9, cutfd=9
/
```

Here NPOPT should be set to zero to turn off nonpolar solvation because the nonpolar implementations are not ready for dynamics simulations and also because the nonpolar interactions are supposed to be taken care of by explicit solvent molecules in the systems. The second point is that DBFOPT should be set to zero to use the procedure in Lu and Luo. [70] A related keyword is SMOOTHOPT that has to be set to 1 to turn on the weighted harmonic averaging of dielectric constants for boundary dielectric edges when using DBFOPT = 0 for dynamics. Finally the cutoff distances and their update frequencies should be set as in the input file.

The PB procedure implemented in *sander* can be invoked for pure implicit solvent dynamics simulations as well. Here is a sample input:

```
Sample PB implicit solvent dynamics
&cntrl
ntx=1, irest=0, imin=0,
ntr=500, ntwx=1000, nscm=100, ntwr=5000,
dt=0.001, nstlim=1000,
temp0=300, tempi=0, ntt=1, tautp=0.1,
igb=10, cut=0, ntb=0,
ntc=2, ntf=2, tol=0.000001
/
&pb
npbverb=0, nsnbr=25, nsnba=5, npbgrid=100,
npopt=0, istrng=0, epsout=80.0, epsin=1.0,
space=1., fillratio=2,
sprob=1.6, radiopt=1,
accept=0.001
/
```

Note here NPOPT is also set to turn off nonpolar solvation interactions. DBFOPT is the default value of 1, i.e. induced surface charges are first computed for reaction field energy and forces. For dynamics simulation of small molecules, it might be necessary to set FILLRATIO to 4. Since CUTNB is set to the default value of zero, an infinite cutoff distance is used for both Coulombic and van der Waals interactions. Note that the surface routine also needs the nonbonded list, though with a much shorter cutoff distance (9 Å), so the nonbonded list needs regular updates as specified in the input file.

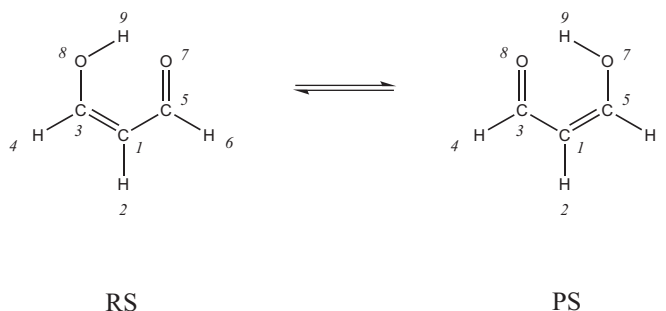


Figure 3.1: Intramolecular proton transfer in malonaldehyde.

3.3. Empirical Valence Bond

3.3.1. Introduction

Chemical reactivity can be formulated within the empirical valence bond (EVB) model [86, 87], whereby the reactive surface is defined as the lowest adiabatic surface obtained by diagonalization of the potential energy matrix in the representation of non-reactive diabatic states. These diabatic states can be described by a force field approach, such as Amber, or by a prescription incorporating information from ab initio calculations. The coupling elements in the matrix embody all the physics needed for describing transitions between the diabatic states.

As an example, the intramolecular proton transfer reaction in malonaldehyde (Figure 3.1) can be described by a two-state EVB matrix

$$\mathbf{V} = \begin{bmatrix} V_{11} & V_{12} \\ V_{21} & V_{22} \end{bmatrix} \quad (3.8)$$

where valence bond state 1 represents the reactant state (RS) with the proton H₉ bonded to O₈ and valence bond state 2 represents the product state (PS) with the proton bonded to O₇. The matrix elements V_{11} and V_{22} are simply the energies of the reactant and product systems. The off-diagonal elements of this symmetric matrix, i.e. $V_{12} = V_{21}$, couple these diabatic states.

Amber provides several options for computing the V_{12} resonance integrals. In its simplest form, V_{12} is set to a constant value which provides an EVB surface that reproduces experimental or ab initio barrier heights. More flexibility can be introduced into V_{12} by employing an exponential or Gaussian function of the coordinates. It has recently been shown [88, 89] that a linear combination of distributed Gaussian functions is the most accurate and flexible form for V_{12} . With a set of distributed Gaussians, V_{12} can be fit to high-level electronic structure data using the following form,

$$V_{12}^2(\mathbf{q}) = \sum_K \sum_{i \geq j \geq 0}^{NDim} B_{ijk} g(\mathbf{q}, \mathbf{q}_K, i, j, \alpha_K) \quad (3.9)$$

$$V_{12}^2(\mathbf{q}) = [V_{11}(\mathbf{q}) - V(\mathbf{q})][V_{22}(\mathbf{q}) - V(\mathbf{q})] \quad (3.10)$$

3. Force field modifications

$$g(\mathbf{q}, \mathbf{q}_K, 0, 0, \alpha_K) = \left(1 + \frac{1}{2} \alpha_K |\mathbf{q} - \mathbf{q}_K|^2\right) \exp \left[-\frac{1}{2} \alpha_K |\mathbf{q} - \mathbf{q}_K|^2\right] \quad (3.11)$$

$$g(\mathbf{q}, \mathbf{q}_K, i, 0, \alpha_K) = (\mathbf{q} - \mathbf{q}_K)_i \exp \left[-\frac{1}{2} \alpha_K |\mathbf{q} - \mathbf{q}_K|^2\right] \quad (3.12)$$

$$g(\mathbf{q}, \mathbf{q}_K, i, j, \alpha_K) = (\mathbf{q} - \mathbf{q}_K)_i (\mathbf{q} - \mathbf{q}_K)_j \exp \left[-\frac{1}{2} \alpha_K |\mathbf{q} - \mathbf{q}_K|^2\right] \quad (3.13)$$

where $g(\mathbf{q}, \mathbf{q}_K, i, j, \alpha_K)$ are s-, p-, and d-type Gaussians at a number of points, \mathbf{q}_K , on the potential energy surface, $NDim$ is the total number of internal coordinates, V is the ab initio energy and \mathbf{B} is a vector of coefficients. It is important to note that a nonstandard s-type Gaussian is employed to precondition the resulting set of linear equations that is passed to a GMRES [90] (aka DIIS [91, 92]) solver. For a more exhaustive discussion of the DG EVB method please see reference [89]. Additionally, the EVB facility in Amber can perform MD or energy optimization on the EVB ground-state surface and biased sampling along a predefined reaction coordinate (RC). Nuclear quantization based on the Feynman path integral formalism [93–95] is also possible.

3.3.2. General usage description

The EVB facility is built on top of the *multisander* infrastructure in Amber. As such, the user will need to build the parallel version of *sander* in order to utilize the EVB feature. Information for each EVB diabatic state is obtained from separate (simultaneous) instances of *sander*. The energies and forces of all the states are communicated via MPI to the master node, which is responsible for computing the EVB energy and forces and broadcasting these to the other nodes for the next MD step.

The required input files are (1) an EVB *multisander* group file containing per line all the command line options for each *sander* job, (2) the *mdin*, coordinate, and parmtop files specified in the group file, and (3) the EVB input files. At the top level, an EVB calculation is invoked as follows:

```
mpirun -np <# procs> sander.MPI -ng <# groups> -groupfile <EVB group file>
```

The contents of the EVB group file is similar to that for a conventional *multisander* execution, with the addition of a command line flag *-evbin* for specifying the name of the EVB input file. Below is an example of an EVB group file:

```
# Malonaldehyde RS: H9 bonded to O8  
-O -i mdin -p mr.top -c mr.crd -o mr.out -r mr.rst -evbin input.mr  
# Malonaldehyde PS: H9 bonded to O7  
-O -i mdin -p mp.top -c mr.crd -o mp.out -r mp.rst -evbin input.mp
```

Each line corresponds to a diabatic state, and comments are preceded by a # symbol in the first column of a line. Now, it is important to notice in the above example that the starting configurations for both *sander* jobs are the same, although the topology files are different. This constraint guarantees that the system starts in a physically meaningful part of configuration space. Furthermore, it is critical that the atom numbers (delineating the atom locations in the coordinate and parmtop files) are identical among the EVB diabatic states. In Figure 3.1, for example, the atom numbers of the RS and PS malonaldehydes are identical. The only additional flag in the **&cntrl** namelist of the *mdin* file is **ievb**, which has the following values

ievb	Flag to run EVB
= 0	No effect (default)
= 1	Enable EVB. The value of imin specifies if the <i>sander</i> calculation is a molecular dynamics (imin=0) or an energy minimization (imin=1). The variable evb_dyn in the &evb namelist of the EVB input file refines this choice to specify if the calculation type is on the EVB ground-state surface, on a mapping potential, or on a biased potential.

The argument of the command line flag *-evbin* provides the name of the EVB input file. Corresponding to the above group file example, the inputs for EVB state 1 are provided in the file *input.mr* and those for EVB state 2 are provided in *input.mp*. For the case of constant coupling between the EVB states, the file *input.mr* may look like the following:

```
# Malonaldehyde RS: proton (H9) bound to O8
&evb nevb = 2, nbias = 1, nmorse = 1, nmodvdw = 1, ntw_evb = 50,
xch_type = "constant",
evb_dyn = "egap_umb",
dia_shift(1)%st = 1, dia_shift(1)%nrg_offset = 0.0,
dia_shift(2)%st = 2, dia_shift(2)%nrg_offset = 0.0,
xch_cnst(1)%ist = 1, xch_cnst(1)%jst = 2,
xch_cnst(1)%xcnst = 12.5,
egap_umb(1)%ist = 1, egap_umb(1)%jst = 2,
egap_umb(1)%k = 0.005, egap_umb(1)%ezero = 0.0,
morsify(1)%iatom = 8, morsify(1)%jatom = 9, morsify(1)%D = 356.570,
morsify(1)%a = 1.046, morsify(1)%r0 = 1.000,
modvdw(1)%iatom = 9, modvdw(1)%jatom = 7,
/
```

and the file *input.mp* may appear as follows:

```
# Malonaldehyde PS: proton (H9) bound to O7
&evb nevb = 2, nbias = 1, nmorse = 1, nmodvdw = 1, ntw_evb = 50,
xch_type = "constant",
evb_dyn = "egap_umb",
dia_shift(1)%st = 1, dia_shift(1)%nrg_offset = 0.0,
```

3. Force field modifications

```
dia_shift(2)%st = 2, dia_shift(2)%nrg_offset = 0.0,  
xch_cnst(1)%ist = 1, xch_cnst(1)%jst = 2,  
xch_cnst(1)%xcnst = 12.5,  
egap_umb(1)%ist = 1, egap_umb(1)%jst = 2,  
egap_umb(1)%k = 0.005, egap_umb(1)%ezero = 0.0,  
morsify(1)%iatom = 7, morsify(1)%jatom = 9, morsify(1)%D = 356.570,  
morsify(1)%a = 1.046, morsify(1)%r0 = 1.000,  
modvdw(1)%iatom = 9, modvdw(1)%jatom = 8,  
/  
/
```

The above EVB files specify that the system is described by a two-state model, the coupling between the two-states is a constant, and the dynamics is umbrella sampling along an energy gap RC. Since the reactant and product states are identical by symmetry, no adjustments of the relative energies of the diabatic states are performed. The constant value coupling between the two states is parameterized such that the EVB barrier reproduces the ab initio barrier of ~ 3 kcal/mol (RMP2/cc-pVTZ level). Lastly, the standard Amber harmonic bond interactions involving the proton with the donor and acceptor oxygens are replaced by Morse functions and certain van der Waals interactions are excluded.

This parameterization of the EVB surface to provide observables that match either results from high-level quantum chemistry calculations or experimental measurements is the trickiest aspect of the EVB model. However, after the EVB surface has been calibrated, the user has access to reactive chemical dynamics simulation timescales and lengthscales which would be otherwise inaccessible using conventional ab initio MD approaches. The distributed Gaussian EVB framework provides a systematic procedure for computing V_{12} from ab initio data.

Now, let us suppose that the constant coupling prescription does not provide the detailed features needed to describe the reaction pathway. Furthermore, we find that the coupling as a function of the coordinates can be described adequately (from comparison to ab initio data) using a Gaussian functional form. How should one modify the above EVB input files to obtain a more accurate reactive surface? We need to change the **xch_type** variable from “**constant**” to “**gauss**” as well as replace the variable **xch_cnst** by the variable **xch_gauss(:)**, which contains the parameters for the Gaussian functional form. Of course, these parameters need to be optimized to provide the more accurate surface. The modifications to the EVB input files look something like the following,

```
:  
:  
xch_cnst(1)%ist = 1, xch_cnst(1)%jst = 2,  
xch_type = "gauss",  
:  
:  
xch_cnst(1)%xcnst = 12.5,  
xch_gauss(1)%ist = 1, xch_gauss(1)%jst = 2,  
xch_gauss(1)%iatom = 8, xch_gauss(1)%jatom = 7,  
xch_gauss(1)%a = 11.0, xch_gauss(1)%sigma = 0.0447,  
xch_gauss(1)%r0 = 2.3,  
:  
:
```

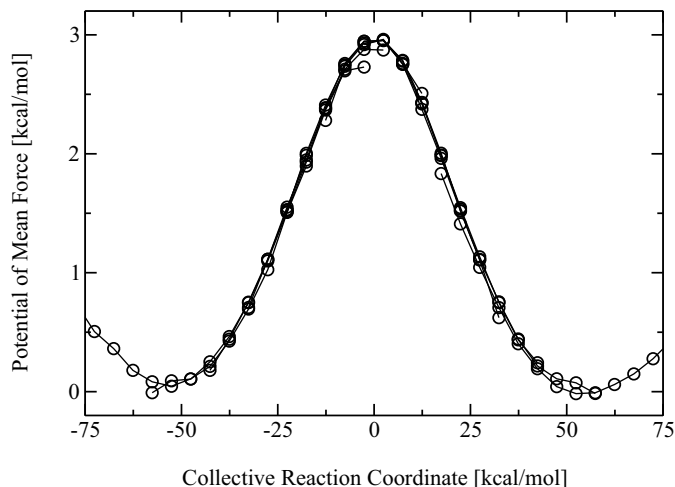



Figure 3.2: Potential of mean force along an energy gap RC for the intramolecular proton transfer in malonaldehyde as obtained from a series of mapping potential simulations.

where the cross-through lines have been replaced by those below them. Access to the exponential functional form or the distributed Gaussian approximation to V_{12} entails similar changes to the input files. Please see \$AMBERHOME/test/evb for examples.

3.3.3. Biased sampling

When a reactive event is described by an intrinsic high free energy barrier, molecular dynamics on the EVB ground-state surface will not adequately sample the important transition state region. Under these conditions, chemical reactions are rare events and sampling on the EVB surface effectively reduces to sampling on a diabatic surface. One framework for enhancing the sampling of rare events is through modification of the system Hamiltonian with the addition of biasing potentials. The EVB facility in Amber offers several options for biased sampling: (1) Ariel Warshel's mapping potential approach [86] (2) Dave Case's umbrella sampling on an energy gap RC (3) umbrella sampling on a distance RC and (4) umbrella sampling on a difference of distances RC.

In the mapping potential framework, the system Hamiltonian (and hence, the molecular dynamics) is described by the modified potential

$$V_{\lambda} = (1 - \lambda)V_{ii} + \lambda V_{ff} \quad (3.14)$$

where V_{ii} is the EVB matrix element for the *initial* state and V_{ff} is the EVB matrix element for the *final* state. As the value of the mapping potential parameter λ changes from 0 to 1, the system *evolves* from the initial state to the final state. As an example, for $\lambda = 0.50$, the system Hamiltonian is an equal linear combination of the initial and final states and molecular dynamics sample the region in the vicinity of the transition state. Each mapping potential V_{λ} samples only a portion of the reaction coordinate. In practice, a series of mapping potentials are

3. Force field modifications

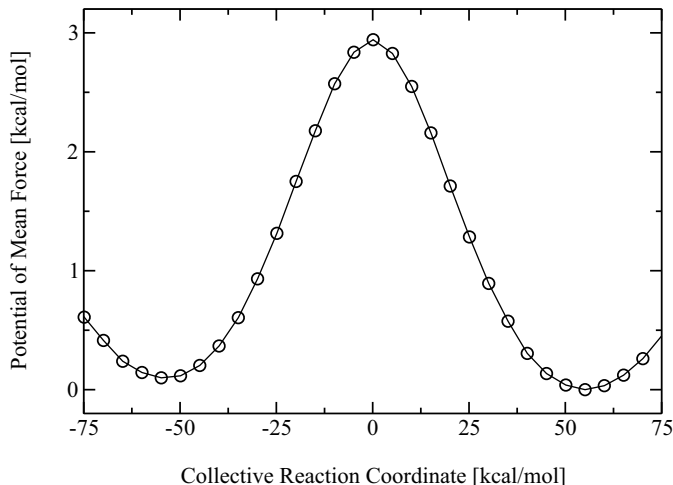


Figure 3.3: Potential of mean force for the intramolecular proton transfer in malonaldehyde as obtained from a series of umbrella sampling simulations along an energy gap RC. The distributions of the RC from all the windows are combined using the WHAM procedure.

used to bias the sampling across the entire range of the RC. The average distribution of the RC for each mapping potential is then *unbiased* and the set of unbiased distributions are combined to give the potential of mean force (PMF) on the EVB ground-state surface. Figure 3.2 shows a PMF for the malonaldehyde intramolecular proton transfer reaction as obtained from 9 mapping potential simulations with λ ranging from 0.10 to 0.90 at 0.10 intervals.

In the umbrella sampling framework, the system Hamiltonian is described by the modified potential

$$\begin{aligned} V_{\text{biased}}^{(n)}(\mathbf{q}) &= V_{\text{el0}}(\mathbf{q}) + V_{\text{umb}}^{(n)}(\mathbf{q}) \\ &= V_{\text{el0}}(\mathbf{q}) + \frac{1}{2}k^{(n)} \left[\text{RC}(\mathbf{q}) - \text{RC}_0^{(n)} \right]^2 \end{aligned} \quad (3.15)$$

where \mathbf{q} is the set of system coordinates, k is the *harmonic force constant* parameter, and $V_{\text{umb}}^{(n)}$ is an umbrella potential that is added to the original system potential V_{el0} (obtained from diagonalization of the EVB matrix) to bias the sampling towards a particular value of the reaction coordinate $\text{RC}_0^{(n)}$. The superscript (n) denotes that a series of biased simulations, each enhancing the sampling of a particular window of the RC, is required to map out the entire PMF. The number of umbrella sampling windows as well as the choice of values for the force constant parameter and the RC equilibrium position will depend ultimately on the nature of the free energy landscape of the system in question.

Results from the biased samplings then can be unbiased and combined using the weighted histogram analysis method (WHAM) [96–98] to generate the PMF describing chemistry on the physically relevant EVB ground-state potential energy surface, V_{el0} . Figure 3.3 depicts the PMF for the malonaldehyde intramolecular proton transfer that is obtained from 13 umbrella sampling simulations with $\text{RC}_0^{(n)}$ spanning the range -60 kcal/mol to +60 kcal/mol at 10

kcal/mol intervals. The supporting program to generate the PMF from a set of mapping potential or from a set of umbrella sampling simulations can be obtained from the Amber website, <http://amber.scripps.edu>.

Biased sampling is accessed through the **nbias** and **evb_dyn** variables in the EVB input file. The variable **nbias** specifies the number of biasing potentials to include in the system Hamiltonian. Mapping potential dynamics is invoked using the assignment **evb_dyn="evb_map"**. Biased sampling via umbrella potentials is invoked with the assignment **evb_dyn="egap_umb"**, **evb_dyn="bond_umb"** or **evb_dyn="dbonds_umb"**. Associated with each choice of biased sampling approach is a derived type variable that provides the require parameters

evb_dyn		dependency
" <i>evb_map</i> "	⇒	emap(:)
" <i>egap_umb</i> "	⇒	egap_umb(:)
" <i>bond_umb</i> "	⇒	bond_umb(:)
" <i>dbonds_umb</i> "	⇒	dbonds_umb(:)
" <i>qi_bond_pmf</i> "	⇒	bond_umb(:)
" <i>qi_bond_dyn</i> "	⇒	bond_umb(:)
" <i>qi_dbonds_pmf</i> "	⇒	dbonds_umb(:)
" <i>qi_dbonds_dyn</i> "	⇒	dbonds_umb(:)

Please see Section 3.3.6 for more details about the variable dependencies.

3.3.4. Quantization of nuclear degrees of freedom

The EVB framework provides a computationally practical approximation to the *electronic* surface for modeling chemical reactions involving classical atoms. The full Schrödinger equation, nevertheless, describes not only the electrons but also the nuclei as a wave function. This quantum mechanical description of nuclei is particularly important for capturing the nuclear dispersion of light particles, such as hydrogen. We provide quantization of the nuclear degrees of freedom via coupling of the EVB facility with the Feynman Path-Integral Molecular Dynamics function in Amber [93–95]. The current implementation utilizes the PIMD engine that is built on top of the locally enhanced sampling (LES) infrastructure. As such, the user will need to build the parallel version of LES *sander* in order to utilize EVB/LES-PIMD.

PIMD is invoked using the **ipimd** variable (and associated dependencies) in the **&cntrl** namelist of the *mdin* input file (please consult Section 5.1.2). The requirements for EVB within the EVB/LES-PIMD context are similar to those described for classical EVB but with the coordinate and parmtop files modified for a LES-type calculation, where the number of LES copies correspond to the number of path integral slices. For example, a classical EVB umbrella sampling on a difference of distances RC will have EVB input files similar to the above examples but with the following modifications

```

:
evb_dyn = "egap_umb",
evb_dyn = "dbonds_umb",

```

3. Force field modifications

```
⋮  
egap_umb(1)%ist = 1, egap_umb(1)%jst = 2,  
egap_umb(1)%k = 0.005, egap_umb(1)%zero = 0.0,  
dbonds_umb(1)%iatom = 8, dbonds_umb(1)%jatom = 9, dbonds_umb(1)%katom = 7,  
dbonds_umb(1)%k = 100.000, dbonds_umb(1)%zero = -.20,  
⋮
```

EVB/LES-PIMD utilizes these same EVB input files. The EVB group file *evb.grpfile*, however, has been modified to point to the LES coordinate and parmtop files

```
# 32-bead Malonaldehyde RS: H9 bonded to O8  
-O -i mdin -p mr_les.top -c mr_les.crd -o mr_les.out -r mr_les.rst \  
-evbin input.mr  
# 32-bead Malonaldehyde PS: H9 bonded to O7  
-O -i mdin -p mp_les.top -c mr_les.crd -o mp_les.out -r mp_les.rst \  
-evbin input.mp
```

Additionally, the *-nslice <# PIMD slices>* variable must be passed to the *sander* executable:

```
mpirun -np 2 sander.LES.MPI -ng 2 -nslice 32 -groupfile evb.grpfile
```

Here, the atoms of the malonaldehyde system have been replicated into 32 copies using the *addles* utility (see Section 5.1.2) and each of the EVB diabatic states now use the corresponding LES coordinate and parmtop files. Nuclear quantization lowers the free energy barrier due to quantum mechanical effects, such as zero point motion and tunneling. Figure 3.4 compares the PMFs for the malonaldehyde proton transfer reaction along a difference of distances RC from classical EVB and EVB/PIMD umbrella sampling simulations. Currently, only the distance and difference of distances RCs are supported in EVB/PIMD. The energy gap RC is not supported because the theoretical formulation of quantum transition state theory based on an energy gap RC has not yet been worked out.

3.3.5. Distributed Gaussian EVB

As briefly mentioned in the Introduction to EVB, V_{12} can be fit to high-level electronic structure data using a set of s-, p-, and d-type Gaussians as the fitting basis functions. The current incarnation of DG EVB is limited to two-state gas-phase systems. Current efforts to extend this approach to the condensed phase will provide a practical systematic procedure for constructing a reactive surface from ab initio information. The curious student is encouraged to read the original papers on this method for the theoretical formulation [88, 89]. Here, we only provide an example of this approach for constructing an ab initio-inspired surface describing the proton transfer reaction in malonaldehyde. All the previously described EVB functionalities are accessible to this method. For example, the key elements of the RS *input.mr* file for biased sampling along a distance RC on the DG EVB surface may look something like the following:

```
⋮
```

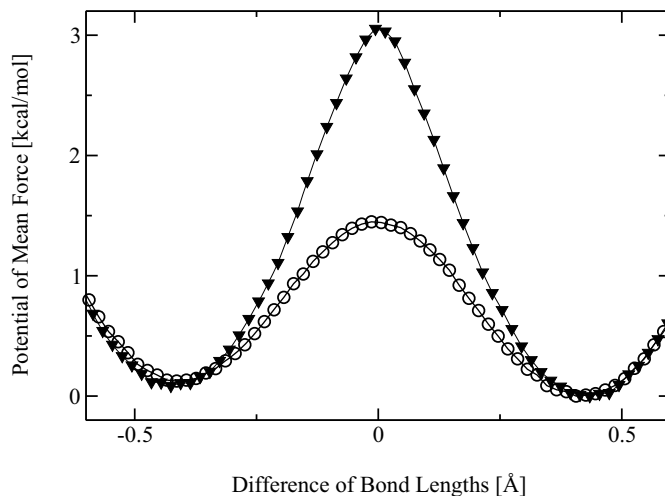


Figure 3.4: PMFs as a function of the difference of bond lengths involving the proton with the donor and acceptor oxygens in malonaldehyde. The \blacktriangledown curve is from classical EVB, while the \odot curve is from EVB/PIMD.

```

nUFF = 1, nbias = 1,
dia_type = "ab_initio",
xch_type = "dist_gauss",
evb_dyn = "bond_umb",
bond_umb(1)%iatom = 7, bond_umb(1)%jatom = 9,
bond_umb(1)%k = 400.000, bond_umb(1)%zero = 1.20,
dist_gauss%stype = "no_dihedrals",
dist_gauss%lin_solve = "diis",
dist_gauss%xfile_type = "gaussian_fchk",
ts_xfile(1) = "malonaldehydeTS_35.fchk",
min_xfile(1) = "malonaldehydeR_35.fchk",
min_xfile(2) = "malonaldehydeP_35.fchk",
dgpt_alpha(1) = 0.72,
dgpt_alpha(2) = 0.72,
dgpt_alpha(3) = 0.72,
UFF(1)%iatom = 7, UFF(1)%jatom = 9
:

```

These variables are described in Section 3.3.6. DG EVB is invoked through the **xch_type** variable, with dependencies on **dist_gauss**, **ts_xfile(:)**, **min_xfile(:)**, **dgpt_alpha(:)**, and **UFF(:)**. The ab initio data for the RS minimum are contained in the file **malonaldehydeR_35.fchk**, those for the PS minimum are contained in **malonaldehydeP_35.fchk**, and those for the transition state are contained in **malonaldehydeTS_35.fchk**. These files are in the *Gaussian* [99] formatted checkpoint file format (**gaussian_fchk**). The α parameter [see Eqs. (3.11-3.13)] associated with each of these configuration space points is specified in the variable **dgpt_alpha(:)**.

3. Force field modifications

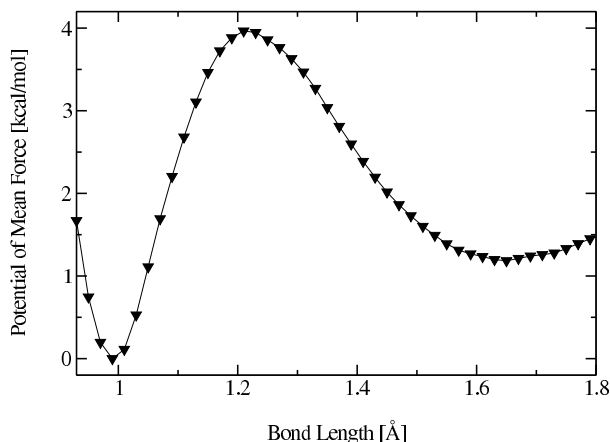


Figure 3.5: PMF as a function of the distance between atoms $H9$ and $O7$ in malonaldehyde. The potential energy surface was constructed from *ab initio* data using the DG EVB approach.

If we wish to include additional *ab initio* data points along the reaction path, we can specify the file names for those points in the variable `xdg_xfile(:)`. The α parameters associated with these points can be specified in `dgpt_alpha(:)`. It is important to keep in mind that the α parameters are ordered as follows: `dgpt_alpha(ts_xfile(1), min_xfile(1), min_xfile(2), xdg_xfile(:))`. Lastly, the `UFF` variable requests the inclusion of a Universal Force Field [100] repulsive term in V_{11} between the transferred proton ($H9$) and the acceptor ($O7$). The `input.mp` file for the PS V_{22} is identical to the above, but with the `UFF` variable changed to reflect the identity of the acceptor atom from the perspective of the product state topology: `UFF(1)%iatom = 8, UFF(1)%jatom = 9`. In practice, the inclusion of this term to V_{ii} provides a more optimal DG EVB surface for molecular dynamics sampling. Figure 3.5 shows the PMF for shortening the r_{H9-O7} distance of the malonaldehyde RS from 1.8 Å to 1.0 Å using umbrella sampling of this RC. Note that the PMF is not symmetric because this choice of RC breaks the intrinsic symmetry of the reaction. The difference of distances RC involving atoms $O8$, $H9$ and $O7$ does provide a symmetric PMF and this is shown in Figure 5.1 within the context of kinetic isotope effect (Section 5.5.5).

3.3.6. EVB input variables and interdependencies

The variables in the `&evb` namelist of the EVB input file are described below. The style of the input file is similar to the traditional `mdin` used in a `sander` run. Assignment to character type variables need to be encapsulated within quotation marks (for example, `evb_dyn="groundstate"`). Array variables are denoted below by a colon enclosed within parentheses [for example, `dia_shift(:)`]. Derived type variables can be assigned element-wise, i.e., `dia_shift(1)%st = 1, dia_shift(1)%nrg_offset = 0.0`. In the specifications below, the data type of each variable is enclosed in `{...}`, while the size of each array variable is enclosed in `[...]`.

- ntw_evb** {integer}. MD step interval for writing to the EVB output file *evbout*.
- nevb** {integer}. Number of EVB states. For example, **nevb = 3** specifies that the system is described by a 3×3 EVB matrix in the representation of three diabatic states. The EVB group file will contain three lines of *sander* command line options specifying the *mdin*, coordinate, parmtop, and EVB input files.
- nmorse** {integer}. Number of Amber harmonic bond interactions that will be changed to a Morse type interaction. Requires additional inputs from the variable **morsify(:)**.
- nbias** {integer}. Number of biasing potentials to include in the system Hamiltonian. The supported biased sampling approaches include (1) mapping potential, (2) umbrella sampling along an energy gap RC, (3) umbrella sampling along a distance RC, and (4) umbrella sampling along a difference of distances RC. See **evb_dyn** for associated dependencies.
- nmodvdw** {integer}. Number of van der Waals terms to exclude in the calculation of V_{ii} . Requires additional inputs from the variable **modvdw(:)**.
- nuff** {integer}. Number of Universal Force Field [100] repulsive terms to include in the harmonic expansion of V_{ii} about the ab initio minimum. Requires additional inputs from the variable **uff(:)**.
- xch_type** {character*512}. Coupling element type.
- = “constant” V_{ij} is a constant. Requires additional inputs from the variable **xch_cnst(:)**.
 - = “exp” $V_{ij}(r_{kl}) = A_{ij} \exp \left[-u_{ij} \left(r_{kl} - r_{kl}^{(0,ij)} \right) \right]$. Requires additional inputs from the variable **xch_exp(:)**.
 - = “gauss” $V_{ij}(r_{kl}) = A_{ij} \exp \left[-\frac{1}{\sigma_{ij}^2} \left(r_{kl} - r_{kl}^{(0,ij)} \right)^2 \right]$. Requires additional inputs from the variable **xch_gauss(:)**.
 - = “dist_gauss” V_{ij} is described by the Schlegel-Sonnenberg distributed Gaussian approach. Requires additional inputs from the variables **dist_gauss**, **ts_xfile(:)**, **min_xfile(:)**, **xdg_xfile(:)**, **dgpt_alpha(:)**, **uff(:)**.
- evb_dyn** {character*512}. EVB dynamics type.

3. Force field modifications

- = “*groundstate*” Dynamics on the EVB ground-state potential energy surface.
- = “*evb_map*” Biased sampling based on Ariel Warshel’s mapping potential approach. Requires additional inputs from the variable **emap(:)**.
- = “*egap_umb*” Umbrella sampling along an energy gap reaction coordinate. Requires additional inputs from the variable **egap_umb(:)**.
- = “*bond_umb*” Umbrella sampling along a distance reaction coordinate. Requires additional inputs from the variable **bond_umb(:)**.
- = “*dbonds_umb*” Umbrella sampling along a difference of two distances reaction coordinate. Requires additional inputs from the variable **dbonds_umb(:)**.
- = “*qi_bond_pmf*” For generating the QI joint distribution function along the distance RCs of the P and $P/2$ slices (see Section 5.4.2). Requires additional inputs from the variable **bond_umb(:)**.
- = “*qi_bond_dyn*” For sampling of the QI f_v , F and G factors with the P and $P/2$ slices constrained to the dividing surfaces along the distance RCs (see Section 5.4.2). Requires additional inputs from the variable **bond_umb(:)**.
- = “*qi_dbonds_pmf*” For generating the QI joint distribution function along the difference of distances RCs of the P and $P/2$ slices (see Section 5.4.2). Requires additional inputs from the variable **dbonds_umb(:)**.
- = “*qi_dbonds_dyn*” For sampling of the QI f_v , F and G factors with the P and $P/2$ slices constrained to the dividing surfaces along the difference of distances RCs (see Section 5.4.2). Requires additional inputs from the variable **dbonds_umb(:)**.

dia_shift(:) {derived type}, [nevb]. Diabatic state energy shift.

%st {integer}. Diabatic state index.

%nrg_offset {real}. Energy offset for EVB state.

xch_cnst(:) {derived type}, [nxch]. Constant coupling. The size of this derived type array is $nxch$, which is calculated internally as $nevb(nevb - 1)/2$.

%ist {integer}. Diabatic state index involved in the coupling.

%jst {integer}. Diabatic state index involved in the coupling.

%xcnst {real}. Constant exchange parameter.

xch_exp(:) {derived type}, [nxch]. Parameters for the exponential functional form of the coupling term, $V_{ij}(r_{kl}) = A_{ij} \exp \left[-u_{ij} \left(r_{kl} - r_{kl}^{(0,ij)} \right) \right]$. The size of this derived type array is $nxch$, which is calculated internally as $nevb(nevb - 1)/2$.

`%ist` {integer}. Diabatic state index involved in the coupling.
`%jst` {integer}. Diabatic state index involved in the coupling.
`%iatom` {integer}. Index of atom involved in r_{kl} .
`%jatom` {integer}. Index of atom involved in r_{kl} .
`%a` {real}. A_{ij} .
`%u` {real}. u_{ij} .
`%r0` {real}. $r_{kl}^{(0,ij)}$.

xch_gauss(:) {derived type}, [n xch]. Parameters for the Gaussian functional form of the coupling term, $V_{ij}(r_{kl}) = A_{ij} \exp \left[-\frac{1}{\sigma_{ij}^2} (r_{kl} - r_{kl}^{(0,ij)})^2 \right]$. The size of this derived type array is $n $xch$$, which is calculated internally as $nevb(nevb - 1)/2$.

`%ist` {integer}. Diabatic state index involved in the coupling.
`%jst` {integer}. Diabatic state index involved in the coupling.
`%iatom` {integer}. Index of atom involved in r_{kl} .
`%jatom` {integer}. Index of atom involved in r_{kl} .
`%a` {real}. A_{ij} .
`%sigma` {real}. σ_{ij} .
`%r0` {real}. $r_{kl}^{(0,ij)}$.

morsify(:) {derived type}, [nmorse]. Parameters used for converting the Amber harmonic bond interactions to the Morse type, $V_{\text{Morse}}(r_{ij}) = D_e \left[1 - e^{-\alpha(r_{ij} - r_{ij}^0)} \right]^2$. The components in the derived type are

`%iatom` {integer}. Index of atom involved in r_{ij} .
`%jatom` {integer}. Index of atom involved in r_{ij} .
`%d` {real}. D_e .
`%a` {real}. α .
`%r0` {real}. r_{ij}^0 .

emap(:) {derived type}, [nbias]. Mapping potential parameters required for the function $V_\lambda = (1 - \lambda)V_{ii} + \lambda V_{ff}$.

`%ist` {integer}. Diabatic state index for the initial state.
`%jst` {integer}. Diabatic state index for the final state.

3. Force field modifications

%lambda {real}. λ .

egap_umb(:) {derived type}, [nbias]. Umbrella potential parameters required for the function $V_{\text{umb}}(\text{RC}) = \frac{1}{2}k[\text{RC} - \text{RC}_0]^2$, where $\text{RC} = V_{ii} - V_{ff}$.

%ist {integer}. Diabatic state index for the initial state.

%jst {integer}. Diabatic state index for the final state.

%k {real}. k .

%ezero {real}. RC_0 .

modvdw(:) {derived type}, [nmodvdw]. Exclude the van der Waals interactions between the specified atom pairs.

%iatom {integer}. Index of atom involved in the non-bonded interaction.

%jatom {integer}. Index of atom involved in the non-bonded interaction.

bond_umb(:) {derived type}, [nbias]. Umbrella potential parameters for the function $V_{\text{umb}}(\text{RC}) = \frac{1}{2}k[\text{RC} - \text{RC}_0]^2$, where $\text{RC} = r_{ij}$.

%iatom {integer}. Index of atom involved in a distance.

%jatom {integer}. Index of atom involved in a distance.

%k {real}. k .

%ezero {real}. RC_0 .

dbonds_umb(:) {derived type}, [nbias]. Umbrella potential parameters for the difference of two distances RC where one of the atoms is common to both distances. $V_{\text{umb}}(\text{RC}) = \frac{1}{2}k[\text{RC} - \text{RC}_0]^2$, where $\text{RC} = r_{ij} - r_{kj}$.

%iatom {integer}. Index of atom involved in a distance.

%jatom {integer}. Index of the atom common to both distances.

%katom {integer}. Index of atom involved in a distance.

%k {real}. k .

%ezero {real}. RC_0 .

out_RCdot {logical}. Output the velocity of a free particle along the RC direction to the file *evbout*.

dist_gauss {derived type}. Schlegel-Sonnenberg distributed Gaussian specifications.

%stype {character*512}. Coordinate selection type. Supported coordinate selection types include “*all_coords*”, “*bonds_only*”, “*no_dihedrals*”, “*react-product*”, “*react-ts-product*”.

%stol {real}. Coordinate selection tolerance for *stype*=“*react-product*” or *stype*=“*react-ts-product*”. For *stype*=“*react-product*”, a particular internal coordinate is used in the DG EVB procedure if the difference between the reactant and product structures is > *stol*. For the case of *stype*=“*react-ts-product*”, the intersection of the selected set of coordinates from *react-ts* > *stol* and *product-ts* > *stol* will be used for the DG EVB procedure.

%xfile_type {character*512}. File type of external ab initio data. Supported file types are “*gaussian_fchk*” and “*EVB*” (see Section D).

ts_xfile(:) {character*512}, [*]. Name of the file containing the ab initio data corresponding to the transition state.

min_xfile(:) {character*512}, [*]. Name of the file containing the ab initio data corresponding to the minimum, i.e. V_{11} and V_{22} .

xdg_xfile(:) {character*512}, [*]. Name of the file containing the ab initio data corresponding to additional points along the IRC.

dgpt_alpha(:) {real}, [*]. Optimized α parameters associated with the distributed Gaussian data points.

uff(:) {derived type}, [nuff]. Include a UFF repulsive term between the specified atom pairs in the harmonic expansion of V_{ii} about the ab initio minimum.

%iatom {integer}. Index of atom involved in the non-bonded interaction.

%jatom {integer}. Index of atom involved in the non-bonded interaction.

3.4. Using the AMOEBA force field

The Amoeba force field is a recently developed polarizable force field with parameters for water, univalent ions, small organic molecules and proteins. [30, 31, 101, 102] Differences from the current amber force fields include more complex valence terms including anharmonic bond and angle corrections and bond angle and bond dihedral cross terms, and a two dimensional spline fit for the phi-psi bitorsional energy. The differences in the nonbond treatment include the use of atomic multipoles up to quadrupole order, induced dipoles using a Thol  screening model, and the use of the Halgren buffered 7-14 functional form for van der Waals interactions. The PME implementation used here, as well as a multigrid approach for atomic multipoles, is described in Ref. [37].

Preparation of the necessary coordinate and parameter files for performing simulations using the amoeba forcefield is now very simple (unlike in Amber 9), but does require that you use *sleap* in place of *tleap*. The procedure is now almost like any other force field: you load *leaprc.amoeba* in place of other leaprc files at the beginning; at the end, use *saveamoebaparm* in place of *saveamberparm*.

With the use of Amoeba, minimization as well as usual *sander* methods of molecular dynamics can be used, including constant temperature and pressure simulations. In addition, with the amoeba implementation it is possible to use the Beeman dynamics integrator, which is helpful in making detailed comparisons to Tinker results. Note that the Amoeba forcefield is parametrized for fully flexible molecules. At this time it is not possible to use SHAKE with this forcefield.

The parameters *ew_coeff*, *nfft1*, *nfft2*, *nfft3*, and *order* from the *&ewald* section of input all relate to the accuracy of the PME method, which is used in the Amoeba implementation in *sander*. Due to the use of atomic quadrupoles, *order* (i.e. the B-spline polynomial degree plus one) needs to be at least 5 since the B-spline needs 3 continuous derivatives. The *ew_coeff* together with the direct sum cutoff (see below) controls the accuracy in the Ewald direct sum, and *ew_coeff* together with the PME grid dimensions *nfft1,2,3* and *order* controls the accuracy in the reciprocal sum. Since Amoeba atomic multipoles are typically dominated by the charges, experience gained in the usual use of PME is pertinent. Typical values we have used for a good cost vs. accuracy balance are *ew_coeff*=0.45, *order*=5, and *nfft1,2,3* approximately 1.25 times the cell length in that direction.

Some specific amoeba-related input parameters are given here. They should be placed in the *&amoeba* namelist, following the *&cntrl* namelist where *iamoeba* has been set to 1.

beeman_integrator Setting this to be one turns on the Beeman integrator. This is the default integrator for Amoeba in Tinker. In *sander* this integrator can be used for NVE simulations, or for NVT or NTP simulations using the Berendsen coupling scheme. (This means that you must set *ntt* to 0 or 1 if you use the Beeman integrator.) By default, *beeman_integrator*=0, and the usual velocity Verlet integration scheme is used instead.

amoeba_verbose In addition to the usual *sander* output, by setting *amoeba_verbose*=1, energy and virial components can be output. By default, *amoeba_verbose*=0.

ee_dsum_cut This is the ewald direct sum cutoff. In the amoeba implementation this is allowed to be different from the nonbond cutoff specified by *cut*. It should be less than or equal to the latter. (Note, this feature does not apply to the direct sum for standard

3.4. Using the AMOEBA force field

amber force fields, which use the nonbond cutoff for the Ewald direct sum as well as van der Waals interactions. The default is 7.0 Angstroms, which is conservative for energy conservation with `ew_coeff=0.45`.

`dipole_scf_tol` The induced dipoles in the amoeba force field are solutions to a set of linear equations (like the Applequist model but modified by Tholé damping for close dipole-dipole interactions). These equations are solved iteratively by the method of successive over-relaxation. `dipole_scf_tol` is the convergence criterion for the iterative solution to the linear equations. The iterations towards convergence stop when the RMS difference between successive sets of induced dipoles is less than this tolerance in Debye. The default is set to 0.01 Debye, which has been seen to give reasonable energetics and dynamics, but requires mild temperature restraints. Good energy conservation in NVE simulations requires a tolerance of about 10^{-6} Debye tolerance.

`sor_coefficient` This is the successive over-relaxation parameter. This can be adjusted to optimize the number of iterations needed to achieve convergence. Default value is 0.75. Productive values seem to be in the range 0.6-0.8. The optimal values seem to depend on the polarizabilities of the system atoms.

`dipole_scf_iter_max` This prevents infinite iterations when the polarization equations are somehow not converging. A possible reason for this is a bad `sor_coefficient`, exacerbated by a close contact. Default is 50. For comparison, with typical `sor_coefficient` values and an equilibrated system it should take 4-7 iterations to achieve 0.01 Debye convergence and 18-25 iterations to achieve 10^{-6} Debye.

`ee_damped_cut` This is used to cutoff the Tholé damping interactions. The default value is 4.5 Angstroms, which should work for the typical sized polarizabilities encountered, and the default Tholé screening parameter (0.39).

`do_vdw_taper` Amoeba uses a Halgren buffered 7-14 form for the van der Waals interactions. In the Tinker code these are typically evaluated out to 12 Angstroms, with a taper turned on and no long-range isotropic continuum corrections to the energy and virial. In the sander implementation, the usual nonbond cutoff from the `&cntrl` namelist is used for van der Waals interactions. The long range correction is available to allow for shorter cutoffs. Setting `do_vdw_taper` to one causes VDW interactions to be tapered to zero beginning at 0.9 times the van der waals cutoff. The taper is a 5th order polynomial switch on the energy term, which gets differentiated for the forces (atom based switching). Its turned on by default.

`do_vdw_longrange` Setting this to one causes the long-range isotropic continuum correction to be turned on. This adjusts the energy and virial, and in most cases will result in energies and virials that are fairly invariant to van der Waals cutoff, with or without the above taper function. The integrals involved in this correction are done numerically.

3.5. QM/MM calculations

Sander supports the option of allowing part of the system to be described quantum mechanically in an approach known as a hybrid (or coupled potential) QM/MM simulation. QM/MM calculations are implemented via two interfaces. The first interface provides seamless semi-empirical QM/MM integration via a `&qmmm` namelist supplied in the regular `mdin` file. This interface is accessed by setting `ifqnt=1` and `idc=0`. The second interface provides support for QM/MM simulations via the DivCon library. This interface is accessed by setting `idc>0`, and specifying additional parameters in a `divcon.in` file. Chapter 10 discusses DivCon, and the rest of this section assumes that `idc=0`.

Support currently exists for gas phase, generalized Born and PME periodic simulations. Available semi-empirical Hamiltonians are PM3, [103] AM1, [104] RM1, [105] MNDO, [106] PDDG/PM3, [107] PDDG/MNDO, [107] and PM3CARB1. [108] Support is also available for the Density Functional Theory-based-tight-binding (DFTB) Hamiltonian, [109–111] as well as the Self-Consistent-Charge version, SCC-DFTB. [112] DFTB/SCC-DFTB also supports approximate inclusion of dispersion effects, [113] as well as reporting CM3 charges [114] for molecules containing only the H, C, N, O, S and P atoms.

The elements supported by each QM method are:

```
MNDO: H, Li, Be, B, C, N, O, F, Al, Si, P, S, Cl, Zn, Ge, Br, Sn, I, Hg, Pb
AM1: H, C, N, O, F, Al, Si, P, S, Cl, Zn, Ge, Br, I, Hg
PM3: H, Be, C, N, O, F, Mg, Al, Si, P, S, Cl, Zn, Ga, Ge, As, Se, Br, Cd,
In, Sn, Sb, Te, I, Hg, Tl, Pb, Bi
PDDG/PM3: H, C, N, O, F, Si, P, S, Cl, Br, I
PDDG/MNDO: H, C, N, O, F, Cl, Br, I
RM1: H, C, N, O, P, S, F, Cl, Br, I
PM3CARB1: H, C, O
DFTB/SCC-DFTB: (Any atom set available from the www.dftb.org website)
```

The DFTB/SCC-DFTB code was originally based on the DFT/DYLAX code by Marcus Elstner *et al.* but has since been extensively re-written and optimized. In order to use DFTB (`qm_theory=DFTB`) a set of integral parameter files are required. These are not distributed with Amber and must be obtained from the www.dftb.org website and placed in the `$AMBERHOME/dat/slko` directory. Dispersion parameters for H, C, N, O, P and S are available in the `$AMBERHOME/dat/slko/DISPERSION.INP_ONCHSP` file, and CM3 parameters for the same atoms are in the `$AMBERHOME/dat/slko/CM3_PARAMETERS.DAT` file.

The built-in semi-empirical QM/MM support was written by Ross Walker and Mike Crowley, [115] based originally on public-domain MOPAC codes of J.J.P. Stewart. The QM/MM Generalised Born implementation uses the model described by Pellegrini and Field [116] while regular QM/MM Ewald support is based on the work of Nam *et al.* [117] with QM/MM PME support based on the work of Walker *et al.* [115]. SCC-DFTB support was written by Gustavo Seabra, Ross Walker and Adrian Roitberg, [109] and is based on earlier work of Marcus Elstner. [112, 118]

3.5.1. The hybrid QM/MM potential

When running a QM/MM simulation in Sander the system is partitioned into two regions, a QM region consisting of the atoms defined by either the *qmmask* or *iqmatoms* keyword, and a MM region consisting of all the atoms that are not part of the QM region. For a typical protein simulation in explicit solvent the number of MM atoms will be much greater than the number of QM atoms. Either region can contain zero atoms, giving either a pure QM simulation or a standard classical simulation. For periodic simulations, the quantum region must be *compact*, so that the extent (or diameter) of the QM region (in any direction) plus twice the QM/MM cutoff must be less than the box size. Hence, you can define an "active site" to be the QM region, but in most cases could not ask that all cysteine residues (for example) be quantum objects. The restrictions are looser for non-periodic (gas-phase or generalized Born) simulations, but the codes are written and tested for the case of a single, compact quantum region.

The partitioned system is characterized by an effective Hamiltonian which operates on the system's wavefunction Ψ , which is dependent on the position of the MM and QM nuclei, to yield the system energy E_{eff} :

$$H_{eff}\Psi(x_e, x_{QM}, x_{MM}) = E(x_{QM}, x_{MM})\Psi(x_e, x_{QM}, x_{MM}) \quad (3.16)$$

The effective Hamiltonian consists of three components - one for the QM region, one for the MM region and a term that describes the interaction of the QM and MM regions, implying that likewise the energy of the system can be divided into three components. If the total energy of the system is re-written as the expectation value of H_{eff} then the MM term can be removed from the integral since it is independent of the position of the electrons:

$$E_{eff} = \langle \Psi | H_{QM} + H_{QM/MM} | \Psi \rangle + E_{MM} \quad (3.17)$$

In the QM/MM implementation in *sander*, E_{MM} is calculated classically from the MM atom positions using the Amber force field equation and parameters, whereas H_{QM} is evaluated using the chosen QM method.

The interaction term $H_{QM/MM}$ is more complicated, representing the interaction of the MM point charges with the electron cloud of the QM atoms as well as the interaction between MM point charges and the QM atomic cores. For the case where there are no covalent bonds between the atoms of the QM and MM regions this term is the sum of an electrostatic term and a Lennard-Jones (VDW) term and can be written as:

$$H_{QM/MM} = - \sum_q \sum_m \left[q_m h_{electron}(x_e, x_{MM}) + z_q q_m h_{core}(x_{QM}, x_{MM}) + \left(\frac{A}{r_{qm}^{12}} - \frac{B}{r_{qm}^6} \right) \right] \quad (3.18)$$

where the subscripts e , m and q refer to the electrons, the MM nuclei and the QM nuclei respectively. Here q_m is the charge on MM atom m , z_q is the core charge (nucleus minus core electrons) on QM atom q , r_{qm} is the distance between atoms q and m , and A and B are Lennard-Jones interaction parameters. For systems that have covalent bonds between the QM and MM regions, the situation is more complicated, as discussed later. If one evaluates the expectation values in Eq. 3.17 over a single determinant built from molecular orbitals

$$\phi_i = \sum_j c_{ij} \chi_j \quad (3.19)$$

3. Force field modifications

where the c_{ij} are molecular orbital coefficients and the χ_j are atomic basis functions, the total energy depends upon the c_{ij} and on the positions x_{MM} and x_{QM} of the atoms. Once the energy is known, the forces on the atoms can be obtained by using the chain rule and setting $\partial E_{eff}/\partial c_{ij}$ to zero. This leads to a self-consistent (SCF) procedure to determine the c_{ij} , (with a modified Fock matrix that contains the electric field arising from the MM charges).

The main subtlety that arises is that, for a periodic system, there are formally an infinite number of QM/MM interactions; even for a non-periodic system, the (finite) number of such interactions may be prohibitively large. These problems are addressed in a manner analogous to that used for pure MM systems: a PME approach is used for periodic systems, and a (large) cutoff may be invoked for non-periodic systems. Some details are discussed below.

3.5.2. The QM/MM interface and link atoms

The sections above dealt with situations where there are no covalent bonds between the QM and MM regions. In many protein simulations, however, it is necessary to have the QM/MM boundary cut covalent bonds, and a number of additional approximations have to be made. There are a variety of approaches to this problem, including hybrid orbitals, capping potentials, and explicit link atoms. The last option is the method available in *sander*.

There are a number of ways to implement a link atom approach that deal with the way the link atom is positioned, the way the forces on the link atom are propagated, and the way non-bonding interactions around the link atom are treated. Each time an energy or gradient calculation is to be done, the link atom coordinates are re-generated from the current coordinates of the QM and MM atoms making up the QM-MM covalent pair. The link atom is placed along the bond vector joining the QM and MM atom, at a distance d_{L-QM} from the QM atom. By default d_{L-QM} is set to the equilibrium distance of a methyl C-H atom pair (1.09 Å) but this can be set in the input file. The default link atom type is hydrogen, but this can also be specified as an input.

Since the link atom position is a function of the coordinates of the "real" atoms, it does not introduce any new degrees of freedom into the system. The chain rule is used to re-write forces on the link atom itself in terms of forces on the two real atoms that define its position. This is analogous to the way in which "extra points" or "lone-pairs" are handled in MM force fields.

The remaining details of how the QM-MM boundary is treated are as follows: for the interactions surrounding the link atom, the MM bond term between the QM and MM atoms is calculated classically using the Amber force field parameters, as are any angle or dihedral terms that include at least one MM atom. The Lennard-Jones interactions between QM-MM atom pairs are calculated in the same way as described in the section above with exclusion of 1-2 and 1-3 interactions and scaling of 1-4 interactions. What remains is to specify the electrostatic interactions between QM and MM atoms around the region of the link atom.

A number of different schemes have been proposed for handling link-atom electrostatics. Many of these have been tested or calibrated on (small) gas-phase systems, but such testing can neglect some considerations that are very important for more extended, condensed-phase simulations. In choosing our scheme, we wanted to ensure that the total charge of the system is rigorously conserved (at the correct value) during an MD simulation. Further, we strove to have the Mulliken charge on the link atom (and the polarity of its bond to the nearest QM atom) adopt reasonable values and to exhibit only small fluctuations during MD simulations. Link atoms interact with the MM field in exactly the same way as regular QM atoms. That is they interact with the electrostatic field due to all the MM atoms that are within the cutoff, with the

exception of the MM link pair atoms (MM atoms that are bound directly to QM atoms). VDW interactions are not calculated for link atoms. These are calculated between all real QM atoms and ALL MM atoms, including the MM link pair atoms. For Generalized Born simulations the effective Born radii for the link atoms are calculated using the intrinsic radii for the MM link pair atoms that they are replacing.

Since the MM atoms that make up the QM region (including the MM link pair atom) have their charges from the prmtop file essentially replaced with Mulliken charges it is important to consider the issue of charge conservation. The QM region (including the link atoms) by definition must have an integer charge. This is defined by the &qmmm namelist variable *qmcharge*. If the MM atoms (including the MM link pair atoms) that make up the QM region have prmtop charges that sum to the value of *qmcharge* then there is no problem. If not, there are two options for dealing with this charge, defined by the namelist variable *adjust_q*. A value of 1 will distribute the difference in charge equally between the nearest *nlink* MM atoms to the MM link pair atoms. A value of 2 will distribute this charge equally over all of the MM atoms in the simulation (excluding MM link pair atoms).

3.5.3. Generalized Born implicit solvent

The implementation of Generalized Born (GB) for QM/MM calculations is based on the method described by Pellegrini and Field. [116] Here, the total energy is taken to be E_{eff} from Eq. 3.17 plus E_{gb} from Eq. 3.2. In E_{gb} , charges on the QM atoms are taken to be the Mulliken charges determined from the quantum calculation; hence these charges depend upon the molecular orbital coefficients c_{ij} as well as the positions of the atoms.

As with conventional QM/MM simulations, one then solves for the c_{ij} by setting $\partial E_{eff} / \partial c_{ij} = 0$. This leads to a set of SCF equations with a Fock matrix modified not only by the presence of MM atoms (as in "ordinary" QM/MM simulations), but also modified by the presence of the GB polarization terms. Once self-consistency is achieved, the resulting Mulliken charges can be used in the ordinary way to compute the GB contribution to the total energy and forces on the atoms.

3.5.4. Ewald and PME

The support for long range electrostatics in QM/MM calculations is based on a modification of the Nam, Gao and York Ewald method for QM/MM calculations. [117] This approach works in a similar fashion to GB in that Mulliken charges are used to represent long range interactions. Within the cut off, interactions between QM and MM atoms are calculated using a full multipole treatment. Outside of the cut off the interaction is based on pairwise point charge interactions. This leads to a slight discontinuity at the QM/MM cut off boundary but this does not so far seem to be a significant limitation.

The implementation in Ref [117] uses an Ewald sum for both QM/QM and QM/MM electrostatic interactions. This can be expensive for large MM regions, and thus *sander* uses a modification of this method by Walker and Crowley [115] that uses a PME model (rather than an Ewald sum) for QM/MM interactions. This is controlled by the *qm_pme* variable discussed below.

3. Force field modifications

3.5.5. Hints for running successful QM/MM calculations

Required Parameters and Prmtop Creation

QM/MM calculations without link atoms require only mass, van der Waals and GB radii in the *prmtop* file. All charges and bonds, angles, and dihedrals parameters involving QM atoms are neglected. (Note that when SHAKE is applied, the bonds are constrained to the ideal MM values, even when these are part of a QM region; hence, for this case, it is important to have correct bond parameters in the QM region.) The simplest general prescription for setting things up is to use *antechamber* and *LEaP* to create a reference force field, since "placeholders" are required in the *prmtop* file even for things that will be neglected. This also allows you to run comparison simulations between pure MM and QM/MM simulations, which can be helpful if problems are encountered in the QM/MM calculations.

The use of *antechamber* to construct a pure MM reference system is even more useful when there are link atoms, since here MM parameters for bonds, angles and dihedrals that cross the QM/MM boundary are also needed.

Choosing the QM region

There are no good universal rules here. Generally, one might want to have as large a QM region as possible, but having more than 80-100 atoms in the QM region will lead to simulations that are very expensive. One should also remember that for many features of conformational analysis, a good MM force field may be better than a semiempirical or DFTB quantum description. In choosing the QM/MM boundary, it is better to cut non-polar bonds (such as C-C single bonds) than to cut unsaturated or polar bonds. Link atoms are not placed between bonds to hydrogen. Thus cutting across a C-H bond will NOT give you a link atom across that bond. (This is not currently tested for in the code and so it is up to the user to avoid such a situation.) Furthermore, link atoms are restricted to one per MM link pair atom. This is tested for during the detection of link atoms and an error is generated if this requirement is violated. This would seem to be a sensible policy otherwise you could have two link atoms too close together. See the comments in *qm_link_atoms.f* for a more in-depth discussion of this limitation.

Choice of electrostatic cutoff

The implementation of the non-bonded cut off in QM/MM simulations is slightly different than in regular MM simulations. The cut off between MM-MM atoms is still handled in a pairwise fashion. However, for QM atoms any MM atom that is within *qmcut* of ANY QM atom is included in the interaction list for all QM atoms. This means that the value of *qmcut* essentially specifies a shell around the QM region rather than a spherical shell around each individual QM atom. Ideally the cut off should be large enough that the energy as a function of the cutoff has converged. For non-periodic, generalized Born simulations, a cutoff of 15 to 20 Å seems sufficient in some tests. (Remember that long-range electrostatic interactions are reduced by a factor of 80 from their gas-phase counterparts, and by more if a non-zero salt concentration is used.) For periodic simulations, the cutoff only serves to divide the interactions between "direct" and "reciprocal" parts; as with pure MM calculations, a cutoff of 8 or 9 Å is sufficient here.

Parallel simulations

The built-in QM/MM implementation currently supports execution in parallel, however, the implementation is not fully parallel. At present all parts of the QM simulation (for $idc=0$) are parallel except the density matrix build and the matrix diagonalisation. For small QM systems these two operations do not take a large percentage of time and so acceptable scaling can be seen to around 8 cpus (depending on interconnect speed). However, for large QM systems the matrix diagonalisation time will dominate and so the scaling will not be as good.

3.5.6. General QM/MM &qmmm Namelist Variables

An example input file for running a simple QM/MM MD simulation is shown here:

```
&cntrl
imin=0, nstlim=10000, (perform MD for 10,000 steps)
dt=0.002, (2 fs time step)
ntt=1, tempi=0.1, temp0=300.0 (Berendsen temperature control)
ntb=1, (Constant volume periodic boundaries)
ntf=2, ntc=2, (Shake hydrogen atoms)
cut=8.0, (8 angstrom classical non-bond cut off)
ifqnt=1 (Switch on QM/MM coupled potential)
/
&qmmm
qmmask=':753' (Residue 753 should be treated using QM)
qmcharge=-2, (Charge on QM region is -2)
qm_theory='PM3', (Use the PM3 semi-empirical Hamiltonian)
qmcut=8.0 (Use 8 angstrom cut off for QM region)
/
```

The &qmmm namelist contains variables that allow you to control the options used for a QM/MM simulation. This namelist must be present when running QM/MM simulations and at the very least must contain either the iqmatoms or qmmask variable which define the region to be treated quantum mechanically. If ifqnt is set to zero then the contents of this namelist are ignored.

QM region definition. Specify one of either iqmatoms or qmmask. Link atoms will be added automatically along bonds (as defined in the prmtop file) that cross the QM/MM boundary.

- iqmatoms comma-separated integer list containing the atom numbers (from the prmtop file) of the atoms to be treated quantum mechanically.
- qmmask Mask specifying the quantum atoms. E.g. :1-2, = residues 1 and 2. See mask documentation for more info.
- idc Specifies use of the Amber built-in or DivCon for QM/MM calculations.
- = 0 (default) Use the built-in Amber QM/MM code.
- = 1 Use standard DivCon for QM/MM calculations. You must prepare a separate *divcon.in* file to specify DivCon keywords; see Chapter 10 for a full discussion of these options.

3. Force field modifications

= 2 Use divide and conquer DivCon QM/MM calculations. It also requires a *div-con.in* file for DivCon keywords; see Chapter 10.

qmcut Specifies the size of the electrostatic cutoff in Angstroms for QM/MM electrostatic interactions. By default this is the same as the value of *cut* chosen for the classical region, and the default generally does not need to be changed. Any classical atom that is within *qmcut* of *any* QM atom is included in the pair list. For PME calculations, this parameter just affects the division of forces between direct and reciprocal space. *Note:* this option only effects the electrostatic interactions between the QM and MM regions. Within the QM region all QM atoms see all other QM atoms regardless of their separation. QM-MM van der Waals interactions are handled classically, using the cutoff value specified by *cut*.

qm_ewald This option specifies how long range electrostatics for the QM region should be treated.

= 0 Use a real-space cutoff for QM-QM and QM-MM long range interactions. In this situation QM atoms do not see their images and QM-MM interactions are truncated at the cutoff. This is the default for non-periodic simulations.

= 1 (default) Use PME or an Ewald sum to calculate long range QM-QM and QM-MM electrostatic interactions. This is the default when running QM/MM with periodic boundaries and PME.

= 2 This option is similar to option 1 but instead of varying the charges on the QM images as the central QM region changes the QM image charges are fixed at the Mulliken charges obtained from the previous MD step. This approach offers a speed improvement over *qm_ewald=1*, since the SCF typically converges in fewer steps, with only a minor loss of accuracy in the long range electrostatics. This option has not been extensively tested, although it becomes increasingly accurate as the box size gets larger.

kmaxqx,y,z Specifies the maximum number of *k*space vectors to use in the x, y and z dimensions respectively when doing an Ewald sum for QM-MM and QM-QM interactions. Higher values give greater accuracy in the long range electrostatics but at the expense of calculation speed. The default value of 5 should be optimal for most systems.

ksqmaxq Specifies the maximum number of *K* squared values for the spherical cut off in reciprocal space when doing a QM-MM Ewald sum. The default value of 27 should be optimal for most systems.

qm_pme Specifies whether a PME approach or regular Ewald approach should be used for calculating the long range QM-QM and QM-MM electrostatic interactions.

= 0 Use a regular Ewald approach for calculating QM-MM and QM-QM long range electrostatics. Note this option is often much slower than a *pme* approach and typically requires very large amounts of memory. It is recommended only for testing purposes.

- = 1** (default) Use a QM compatible PME approach to calculate the long range QM-MM electrostatic energies and forces and the long range QM-QM forces. The long range QM-QM energies are calculated using a regular Ewald approach.
- qmgb Specifies how the QM region should be treated with generalized Born.
- = 2** (default) As described above, the electrostatic and "polarization" fields from the MM charges and the exterior dielectric (respectively) are included in the Fock matrix for the QM Hamiltonian.
 - = 3** This is intended as a debugging option and should only be used for single point calculations. With this option the GB energy is calculated using the Mulliken charges as with option 2 above but the fock matrix is NOT modified by the GB field. This allows one to calculate what the GB energy would be for a given structure using the gas phase quantum charges. When combined with a simulation using *qmgb=2*, this allows the strain energy from solvation to be calculated.
- qm_theory Level of theory to use for the QM region of the simulation. (Hamiltonian). Default is to use the semi-empirical hamiltonian PM3. Options are AM1, RM1, MNDO, PM3-PDDG, MNDO-PDDG, PM3-CARB1, and DFTB.
- qmmm_int Controls the way in which QM/MM interactions are handled in the direct space QMMM sum. This controls only the electrostatic interactions. VDW interactions are always calculated classically using the standard 6-12 potential. Note: with the exception of *qmmm_int=0* DFTB calculations (*qm_theory=DFTB*) always use a simple mulliken charge - resp charge interaction and the value of *qmmm_int* has no influence.
- = 0** This turns off all electrostatic interaction between QM and MM atoms in the direct space sum. Note QM-MM VDW interactions will still be calculated classically.
 - = 1** (default) QM-MM interactions in direct space are calculated in the same way for all of the various semi-empirical hamiltonians. The interaction is calculated in an analogous way to the core-core interaction between QM atoms. The MM resp charges are included in the one electron hamiltonian so that QMcore-MMResp and QMelectron-MMResp interactions are calculated.
 - = 2** This is the same as for 1 above except that when AM1, PM3 or Hamiltonians derived from these are in use the extra Gaussian terms that are introduced in these methods to improve the core-core repulsion term in QM-QM interactions are also included for the QM-MM interactions. This is the equivalent to the QM-MM interaction method used in CHARMM and DYNAMO. It tends to slightly reduce the repulsion between QM and MM atoms at small distances. For distances above approximately 3.5 angstroms it makes almost no difference.
- dftb_disper Flag turning on (1) or off (0) the use of a dispersion correction to the DFTB/SCC-DFTB energy. Requires *qm_theory=DFTB*. It is assumed that you have the file

3. Force field modifications

DISPERSION.INP_ONCHSP in your \$AMBERHOME/dat/slko/ directory. This file must be obtained directly from Marcus Elstner, as described in the beginning of this chapter. Not available for the Zn atom. (Default = 0)

- dftb_chg Flag to choose the type of charges to report when doing a DFTB calculation.
- = 0 (default) - Print Mulliken charges
 - = 2 Print CM3 charges. Only available for H, C, N, O, S and P.
- dftb_telec Electronic temperature, in K, used to accelerate SCC convergence in DFTB calculations. The electronic temperature affects the Fermi distribution promoting some HOMO/LUMO mixing, which can accelerate the convergence in difficult cases. In most cases, a low *telec* (around 100K) is enough. Should be used only when necessary, and the results checked carefully. Default: 0.0K
- dftb_maxiter Maximum number of SCC iterations before resetting Broyden in DFTB calculations. (default: 70)
- qmcharge Charge on the QM system in electron units (must be an integer). (Default = 0)
- spin Multiplicity of the QM system. Currently only singlet calculations are possible and so the default value of 1 is the only available option. Note that this option is ignored by DFTB/SCC-DFTB, which allows only ground state calculations. In this case, the spin state will be calculated from the number of electrons and orbital occupancy.
- qmqmdx Flag for whether to calculate QM-QM derivatives analytically or pseudo numerically. Note QM-MM derivatives can only be done analytically so there is no flag for these. The default (and recommended) option is to use ANALYTICAL QM-QM derivatives.
- = 1 (default) - Use analytical derivatives for QM-QM forces.
 - = 2 Use numerical derivatives for QM-QM forces. Note: the numerical derivative code has not been optimised as aggressively as the analytical code and as such is significantly slower. Numerical derivatives are intended mainly for testing purposes.
- verbosity Controls the verbosity of QM/MM related output. *Warning:* Values of 2 or higher will produce a *lot* of output.
- = 0 (default) - only minimal information is printed - Initial QM geometry and link atom positions as well as the SCF energy at every ntptr steps.
 - = 1 Print SCF energy at every step to many more significant figures than usual. Also print the number of SCF cycles needed on each step.
 - = 2 As 1 but also print info about memory reallocations, number of pairs per QM atom. Also prints QM core - QM core energy, QM core - MM charge energy and total energy.

- = 3** As 2 but also print SCF convergence information at every step.
- = 4** As 3 but also print forces on QM atoms due to the SCF calculation and the coordinates of the link atoms at every step.
- = 5** As 4 but also print all of the info in KJ/mol as well as KCal/mol.

tight_p_conv Controls the tightness of the convergence criteria on the density matrix in the SCF.

- =0** (default) - loose convergence on the density matrix (or Mulliken charges, in case of a SCC-DFTB calculation). SCF will converge if the energy is converged to within `scfconv` and the largest change in the density matrix is within $0.05*\sqrt{\text{scfconv}}$.
- = 1** Tight convergence on density(or Mulliken charges, in case of a SCC-DFTB calculation). Use same convergence (`scfconv`) for both energy and density (charges) in SCF. Note: in the SCC-DFTB case, this option can lead to instabilities.

scfconv Controls the convergence criteria for the SCF calculation, in kcal/mol. In order to conserve energy in a dynamics simulation with no thermostat it is often necessary to use a convergence criterion of 1.0d-9 or tighter. Note, the tighter the convergence the longer the calculation will take. Values tighter than 1.0d-11 are not recommended as these can lead to oscillations in the SCF, due to limitations in machine precision, that can lead to convergence failures. Default is 1.0d-8 kcal/mol. Minimum usable value is 1.0d-14.

pseudo_diag Controls the use of 'fast' pseudo diagonalisations in the SCF routine. By default the code will attempt to do pseudo diagonalisations whenever possible. However, if you experience convergence problems then turning this option off may help. Not available for DFTB/SCC-DFTB.

- = 0** Always do full diagonalisation.
- = 1** Do pseudo diagonalisations when possible (default).

pseudo_diag_criteria Float controlling criteria used to determine if a pseudo diagonalisation can be done. If the difference in the largest density matrix element between two SCF iterations is less than this criteria then a pseudo diagonalisation can be done. This is really a tuning parameter designed for expert use only. Most users should have no cause to adjust this parameter. (Not applicable to DFTB/SCC-DFTB calculations.) Default = 0.05

diag_routine Controls which diagonalization routine should be used during the SCF procedure. This is an advanced option which has no effect on the results but can be used to fine tune performance. The speed of each diagonalizer is both a function of the number and type of QM atoms as well as the LAPACK library that Sander was linked to. As such there is not always an obvious choice to obtain the best performance. The simplest option is to set `diag_routine = 0` in which case Sander will test each diagonalizer in turn, including the pseudo diagonalizer, and select the one that gives

3. Force field modifications

optimum performance. This should ideally be the default behavior but this option has not been tested on sufficient architectures to be certain that it will always work. Not available for DFTB/SCC-DFTB.

- = 0 Automatically select the fastest routine (recommended).
- = 1 Use internal diagonalization routine (default).
- = 2 Use lapack dspev.
- = 3 Use lapack dspevd.
- = 4 Use lapack dspevx.
- = 5 Use lapack dsyev.
- = 6 Use lapack dsyevd.
- = 7 Use lapack dsyevr.

printcharges

- = 0 Don't print any info about QM atom charges to the output file (default)
- = 1 Print Mulliken QM atom charges to output file every *ntpr* steps.

peptide_corr

- = 0 Don't apply MM correction to peptide linkages. (default)
- = 1 Apply a MM correction to peptide linkages. This correction is of the form $E_{scf} = E_{scf} + h_{type}(i_{type}) \sin^2 \phi$, where ϕ is the dihedral angle of the H-N-C-O linkage and h_{type} is a constant dependent on the Hamiltonian used. (Recommended, except for DFTB/SCC-DFTB.)

itrmax

Integer specifying the maximum number of SCF iterations to perform before assuming that convergence has failed. Default is 1000. Typically higher values will not do much good since if the SCF hasn't converged after 1000 steps it is unlikely to. If the convergence criteria have not been met after itrmax steps the SCF will stop and the MD or minimisation will proceed with the gradient at itrmax. Hence if you have a system which does not converge well you can set itrmax smaller so less time is wasted before assuming the system won't converge. In this way you may be able to get out of a bad geometry quite quickly. Once in a better geometry SCF convergence should improve.

qmshake

Controls whether shake is applied to QM atoms. Using shake on the QM region will allow you to use larger time steps such as 2 fs with NTC=2. If, however, you expect bonds involving hydrogen to be broken during a simulation you should not SHAKE the QM region. WARNING: the shake routine uses the equilibrium bond lengths as specified in the prmtop file to reset the atom positions. Thus while bond force constants and equilibrium distances are not used in the energy calculation for QM atoms the equilibrium bond length is still required if QM shake is on.

- = 0 Do not shake QM H atoms.

= 1 Shake QM H atoms if shake is turned on (NTC>1) (default).

writepdb

= 0 Do not write a pdb file of the selected QM region. (default).

= 1 Write a pdb file of the QM region. This option is designed to act as an aid to the user to allow easy checking of what atoms were included in the QM region. When this option is set a crude pdb file of the atoms in the QM region will be written on the very first step to the file *qmmm_region.pdb*.

3.5.7. Link Atom Specific QM/MM &qmmm Namelist Variables

The following options go in the qmmm namelist and control the link atom behaviour.

lnk_dis Distance in Å from the QM atom to its link atom. Currently all link atoms must be placed at the same distance. Default = 1.09 Å.

lnk_atomic_no The atomic number of the link atoms. This selects what element the link atoms are to be. Default = 1 (Hydrogen). Note this must be an integer and an atomic number supported by the chosen qm theory.

adjust_q This controls how charge is conserved during a QMMM calculation involving link atoms. When the QM region is defined the QM atoms and any MM atoms involved in link bonds have their RESP charges zeroed. If the sum of these RESP charges does not exactly match the value of *qmcharge* then the total charge of the system will not be correct.

= 0 No adjustment of the charge is done.

= 1 The charge correction is applied to the nearest *nlink* MM atoms to MM atoms that form link pairs. Typically this will be any MM atom that is bonded to a MM link pair atom (a MM atom that is part of a QM-MM bond). This results in the total charge of QM+QMlink+MM equaling the original total system charge from the *prmtop* file. Requires *natom-nquant-nlink* >= *nlink* and *nlink*>0.

= 2 (default) - This option is similar to option 1 but instead the correction is divided among all MM atoms (except for those adjacent to link atoms). As with option 1 this ensures that the total charge of the QM/MM system is the same as that in the *prmtop* file. Requires *natom-nquant-nlink* >= *nlink*.

3. Force field modifications

4. Sampling and free energies

4.1. Thermodynamic integration

Sander has the capability of doing simple thermodynamic free energy calculations, using either PME or generalized Born potentials. When *icfe* is set to 1, information useful for doing thermodynamic integration estimates of free energy changes will be computed. You must use the "multisander" capability to create two groups, one corresponding to the starting state, and a second corresponding to the ending state; you will need a *prmtop* file for each of these two end points. Then a mixing parameter λ is used to interpolate between the "unperturbed" and "perturbed" potential functions.

There are now two different ways to prepare a thermodynamic integration free energy calculation. The first is unchanged from previous versions of Amber: Here, the two *prmtop* files that you create must have the same number of atoms, and the atoms must appear *in the same order* in the two files. This is because there is only one set of coordinates that are propagated in the molecular dynamics algorithm. If there are more atoms in the initial state than in the final, "dummy" atoms must be introduced into the final state to make up the difference. Although there is quite a bit of flexibility in choosing the initial and final states, it is important in general that the system be able to morph "smoothly" from the initial to the final state. Alternatively, you can set up your system to use the softcore potential algorithm described below. This will remove the requirement to prepare "dummy" atoms and allows the two *prmtop* files to have different numbers of atoms.

In a free energy calculation, the system evolves according to a mixed potential (such as in Eqs. 4.3 or 4.4, below). The essence of free energy calculations is to record and analyze the fluctuations in the values of V_0 and V_1 (that is, what the energies *would have been* with the endpoint potentials) as the simulation progresses. For thermodynamic integration (which is a very straightforward form of analysis) the required averages can be computed "on-the-fly" (as the simulation progresses), and printed out at the end of a run. For more complex analyses (such as the Bennett acceptance ratio scheme), one needs to write out the history of the values of V_0 and V_1 to a file, and later post-process this file to obtain the final free energy estimates.

There is not room here to discuss the theory of free energy simulations, and there are many excellent discussions elsewhere. [10, 119, 120] There are also plenty of recent examples to consult. [121, 122] Such calculations are demanding, both in terms of computer time, and in a level of sophistication to avoid pitfalls that can lead to poor convergence. Since there is no one "best way" to estimate free energies, *sander* primarily provides the tools to collect the statistics that are needed. Assembling these into a final answer, and assessing the accuracy and significance of the results, generally requires some calculations outside of what Amber provides, *per se*. The discussion here will assume a certain level of familiarity with the basis of free energy calculations.

The basics of the multisander functionality are given below, but the mechanics are really quite simple. You start a free energy calculation as follows:

4. Sampling and free energies

```
mpirun -np 4 sander -ng 2 -groupfile <filename>
```

Since there are 4 total cpu's in this example, each of the two groups will run in parallel with 2 cpu's each. The number of processors must be a multiple of two. The *groups* file might look like this:

```
-O -i mdin -p prmtop.0 -c eq1.x -o mdl.o -r mdl.x -inf mdinfo
-O -i mdin -p prmtop.1 -c eq1.x -o mdlb.o -r mdlb.x -inf mdinfob
```

The input (*mdin*) and starting coordinate files must be the same for the two groups. Furthermore, the two *prmtop* files must have the same number of atoms, in the same order (since one common set of coordinates will be used for both.) The simulation will use the masses found in the first *prmtop* file; in classical statistical mechanics, the Boltzmann distribution in coordinates is independent of the masses so this should not represent any real restriction.

On output, the two restart files should be identical, and the two output files should differ only in trivial ways such as timings; there should be no differences in any energy-related quantities, except if energy decomposition is turned on (*idecomp* > 0; then only the output file of the first group contains the per residue contributions to $\langle \partial V / \partial \lambda \rangle$). For our example, this means that one could delete the *mdl1b.o* and *mdl1b.x* files, since the information they contain is also in *mdl.o* and *mdl.x*. (It is a good practice, however, to check these file identities, to make sure that nothing has gone wrong.)

4.1.1. Basic inputs for thermodynamic integration

- icfe** The basic flag for free energy calculations. The default value of 0 skips such calculations. Setting this flag to 1 turns them on, using the mixing rules in Eq. (5), below.
- clambda** The value of λ for this run, as in Eqs. (6.21) and (6.22), below. Zero corresponds to the unperturbed Hamiltonian (or the first of the two multisander groups) $\lambda=1$ corresponds to the perturbed Hamiltonian, or the second of the two multisander groups.
- klambda** The exponent in Eq. (6.22), below.
- idecomp** Flag that turns on/off decomposition of $\langle \partial V / \partial \lambda \rangle$ on a per-residue level. The default value of 0 turns off energy decomposition. A value of 1 turns the decomposition on, and 1-4 nonbonded energies are added to internal energies (bond, angle, torsional). A value of 2 turns the decomposition on, and 1-4 nonbonded energies are added to EEL and VDW energies, respectively. The frequency by which values of $\langle \partial V / \partial \lambda \rangle$ are included into the decomposition is determined by the NTPR flag. This ensures that the sum of all contributions equals the average of all total $\langle \partial V / \partial \lambda \rangle$ values output every NTPR steps. All residues, including solvent molecules, have to be chosen by the RRES card to be considered for decomposition. The RES card determines which residue information is finally output. The output comes at the end of the *mdout* file. For each residue contributions of internal -, VdW-, and electrostatic energies to $\langle \partial V / \partial \lambda \rangle$ are given as an average over all (NSTLIM/NTPR) steps. In a first section total per residue values are output followed below by further decomposed values from backbone and sidechain atoms.

4.1. Thermodynamic integration

The *sander* program itself does not compute free energies; it is up to the user to combine the output of several runs (at different values of λ) and to numerically estimate the integral:

$$\Delta A = A(\lambda = 1) - A(\lambda = 0) = \int_0^1 \langle \partial V / \partial \lambda \rangle_\lambda d\lambda \quad (4.1)$$

If you understand how free energies work, this should not be at all difficult. However, since the actual values of λ that are needed, and the exact method of numerical integration, depend upon the problem and upon the precision desired, we have not tried to pre-code these into the program.

The simplest numerical integration is to evaluate the integrand at the midpoint:

$$\Delta A \simeq \langle \partial V / \partial \lambda \rangle_{1/2}$$

This might be a good first thing to do to get some picture of what is going on, but is only expected to be accurate for very smooth or small changes, such as changing just the charges on some atoms. Gaussian quadrature formulas of higher order are generally more useful:

$$\Delta A = \sum_i w_i \langle \partial V / \partial \lambda \rangle_i \quad (4.2)$$

Some weights and quadrature points are given in the accompanying table; other formulas are possible, [123] but the Gaussian ones listed there are probably the most useful. The formulas are always symmetrical about $\lambda = 0.5$, so that λ and $(1 - \lambda)$ both have the same weight. For example, if you wanted to use 5-point quadrature, you would need to run five *sander* jobs, setting λ to 0.04691, 0.23076, 0.5, 0.76923, and 0.95308 in turn. (Each value of λ should have an equilibration period as well as a sampling period; this can be achieved by setting the *ntave* parameter.) You would then multiply the values of $\langle \partial V / \partial \lambda \rangle_i$ by the weights listed in the Table, and compute the sum.

When *icfe=1* and *klambda* has its default value of 1, the simulation uses the mixed potential function:

$$V(\lambda) = (1 - \lambda)V_0 + \lambda V_1 \quad (4.3)$$

where V_0 is the potential with the original Hamiltonian, and V_1 is the potential with the perturbed Hamiltonian. The program also computes and prints $\langle \partial V / \partial \lambda \rangle$ and its averages; note that in this case, $\langle \partial V / \partial \lambda \rangle = V_1 - V_0$. This is referred to as linear mixing, and is often what you want unless you are making atoms appear or disappear. If some of the perturbed atoms are "dummy" atoms (with no van der Waals terms, so that you are making these atoms "disappear" in the perturbed state), the integrand in Eq. 4.1 diverges at $\lambda = 1$; this is a mild enough divergence that the overall integral remains finite, but it still requires special numerical integration techniques to obtain a good estimate of the integral. [120] *Sander* implements one simple way of handling this problem: if you set *klambda* > 1, the mixing rules are:

$$V(\lambda) = (1 - \lambda)^k V_0 + [1 - (1 - \lambda)^k] V_1 \quad (4.4)$$

where k is given by *klambda*. Note that this reduces to Eq. 4.3 when $k = 1$, which is the default. If $k \geq 4$, the integrand remains finite as $\lambda \rightarrow 1$. [120] We have found that setting $k=6$ with disappearing groups as large as tryptophan works, but using the softcore option (*ifsc*>0) instead is generally preferred. [124] Note that the behavior of $\langle \partial V / \partial \lambda \rangle$ as a function of λ is

4. Sampling and free energies

not monotonic when $klambda > 1$. You may need a fairly fine quadrature to get converged results for the integral, and you may want to sample more carefully in regions where $\langle \partial V / \partial \lambda \rangle$ is changing rapidly.

Notes:

1. This capability in *sander* is implemented by calling the `force()` routine twice on each step, once for V_0 and once for V_1 . This increases the cost of the simulation, but involves extremely simple coding.
2. Eq. 4.4 is designed for having dummy atoms in the perturbed Hamiltonian, and "real" atoms in the regular Hamiltonian. You must ensure that this is the case when you set up the system in LEaP. (See the softcore section, below, for a more general way to handle disappearing atoms, which does not require dummy atoms at all.)
3. One common application of this model is to pKa calculations, where the charges are mutated from the protonated to the deprotonated form. Since H atoms bonded to oxygen already have zero van der Waals radii (in the Amber force fields and in TIP3P water), once their charge is removed (in the deprotonated form) they are really then like dummy atoms. For this special situation, there is no need to use $klambda > 1$: since the van der Waals terms are missing from both the perturbed and unperturbed states, the proton's position can never lead to the large contributions to $\langle \partial V / \partial \lambda \rangle$ that can occur when one is changing from a zero van der Waals term to a finite one.
4. The implementation requires that the masses of all atoms be the same on all threads. To enforce this, the masses found in the first *prmtop* file (for V_0) are used for V_1 as well. In classical statistical mechanics, the canonical distribution of configurations (and hence of potential energies) is unaffected by changes in the masses, so this should not pose a limitation. Since the masses in the second *prmtop* file are ignored, they do not have to match those in the first *prmtop* file.
5. Special care needs to be taken when using SHAKE for atoms whose force field parameters differ in the two end points. The same bonds must be SHAKEN in both cases, and the equilibrium bond lengths must also be the same. The easiest way to ensure this is to use the *noshakemask* input to remove SHAKE from the regions that are being perturbed. You must do this manually, as the current code does not have any internal idea of "perturbed" and "unperturbed" atoms. (This is a change from earlier versions of Amber, which used a *pertprmtop* file, and which automatically removed SHAKE from the perturbed parts of the system.)

4.1.2. Softcore Potentials in Thermodynamic Integration

Softcore potentials provide an additional way to perform thermodynamic integration calculations in Amber. The system setup has been simplified so that appearing and disappearing atoms can be present at the same time and no dummy atoms need to be introduced. Two *prmtop* files, corresponding to the start and end states (V_0 and V_1) of the desired transformation need to be used. The common atoms that are present in both states need to appear in the same order in both *prmtop* files and must have identical starting positions. In addition to the common atoms, each process can have any number of unique soft core atoms, as specified by *scmask*. A modified

4.1. Thermodynamic integration

n	λ_i	$1 - \lambda_i$	w_i
1	0.5		1.0
2	0.21132	0.78867	0.5
3	0.1127 0.5	0.88729	0.27777 -.44444
5	0.04691 0.23076 0.5	0.95308 0.76923	0.11846 0.23931 0.28444
7	0.02544 0.12923 0.29707 0.5	0.97455 0.87076 0.70292	0.06474 0.13985 0.19091 0.20897
9	0.01592 0.08198 0.19331 0.33787 0.5	0.98408 0.91802 0.80669 0.66213	0.04064 0.09032 0.13031 0.15617 0.16512
12	0.00922 0.04794 0.11505 0.20634 0.31608 0.43738	0.99078 0.95206 0.88495 0.79366 0.68392 0.56262	0.02359 0.05347 0.08004 0.10158 0.11675 0.12457

Table 4.1: Abscissas and weights for Gaussian integration.

4. Sampling and free energies

version of the vdW equation is used to smoothly switch off non-bonded interactions of these atoms with their common atom neighbors:

$$V_{V_0,disappearing} = 4\epsilon(1-\lambda) \left[\frac{1}{\left[\alpha\lambda + \left(\frac{r_{ij}}{\sigma}\right)^6\right]^2} - \frac{1}{\alpha\lambda + \left(\frac{r_{ij}}{\sigma}\right)^6} \right] \quad (4.5)$$

$$V_{V_1,appearing} = 4\epsilon\lambda \left[\frac{1}{\left[\alpha(1-\lambda) + \left(\frac{r_{ij}}{\sigma}\right)^6\right]^2} - \frac{1}{\alpha(1-\lambda) + \left(\frac{r_{ij}}{\sigma}\right)^6} \right] \quad (4.6)$$

Please refer to Ref [124] for a description of the implementation and performance testing when compared to the TI methods described above. All bonded interactions of the unique atoms are recorded separately in the output file (see below). This is a consequence of the dual-topology approach to TI. It means that any bond, angle, dihedral or 1-4 term that involves at least one appearing or disappearing atom is not scaled by λ and does not contribute to $\langle \partial V / \partial \lambda \rangle$. Therefore, output from both processes will not be identical when soft core potentials are used. Softcore transformations avoid the origin singularity effect and therefore linear mixing can (and should) always be used with them. Since the unique atoms become decoupled from their surroundings at high or low lambdas and energy exchange between them and surrounding solvent becomes inefficient, a Berendsen type thermostat should not be used for SC calculations. Any SHAKE constraints applying to bonds between common and unique atoms will be removed before the simulation, but SHAKE constraints for bonds between unique atoms are unchanged. The icfe and klambda parameters should be set to 1 for a soft core run and the desired lambda value will be specified by clambda. When using softcore potentials, λ values should be picked so that $0.01 < \text{clambda} < 0.99$. Additionally, the following parameters are available to control the TI calculation:

ifsc	Flag for soft core potentials
	= 0 SC potentials are not used (default)
	= 1 SC potentials are used. Note that a different setup is required, so prmtop files for non soft core simulations cannot be used with soft core potentials and vice versa.
	= 2 A special case for perturbing a system to nothing. Since no V_1 -prmtop exists, this case can be run with icfe=0 and without using the groupfile input format.
scalpha	The α parameter in 4.5 and 4.6, its default value is 0.5. Other values have not been extensively tested
scmask	Specifies the unique atoms for this process in ambmask format. This, along with crgmask, is the only parameter that will frequently be different in the two mdin files for V_0 and V_1 . It is valid to set scmask to an empty string. A summary of the atoms in scmask is printed at the end of mdout.
logdvdl	If set to .ne. 0, a summary of all $\partial V / \partial \lambda$ values calculated during every step of the run will be printed out at the end of the simulation for postprocessing.

- `dvdI_norest` If set to `.ne. 0`, the potential energy from positional restraints set by the `&wt` namelists will not be counted into $\langle \partial V / \partial \lambda \rangle$. This can be convenient in calculations of absolute binding free energies as in Ref. [125] Please note that the force constants of restraints are divided by `lambda` if soft core potentials are switched on. This results in the restraint being applied in full to the disappearing atoms at any `lambda`.
- `dynlmb` If set to a value `.gt. zero`, `clambda` is increased by `dynlmb` every `ntave` steps. This can be used to perform simulations with dynamically changing `lambdas`.
- `crgmask` Specifies a number of atoms (in `ambmask` format) that will have their atomic partial charges set to zero. This is mainly for convenience because it removes the need to build additional `prmtop` files with uncharged atoms for TI calculations involving the removal of partial charges.

The force field potential energy contributions for the unique atoms in each process will be evaluated separately during the simulation and are recorded after the complete system energy is given:

```
Softcore part of the system: 15 atoms, TEMP(K) = 459.76
SC_BOND = 2.0634   SC_ANGLE = 7.0386   SC_DIHED = 4.2087
SC_14NB = 3.3948   SC_14EEL = 0.0000   SC_EKIN  = 16.9021
SC_VDW  = -0.3269   SC_DERIV = -9.9847
```

The temperatures reported are calculated for the SC atoms only and fluctuate strongly for small numbers of unique atoms. The energies in the first two lines include all terms that involve at least one unique atom, but `SC_VDW` gives the vdW energy for pairs of unique atoms only which are subject to the standard 12-6 LJ potential. The vdW potential between soft core / non soft core atoms (as given by equation 4.5) is part of the regular VDWAALS term and is counted for `dV/dl`. `SC_DERIV` is an additional λ -dependent contribution to $\langle \partial V / \partial \lambda \rangle$ that arises from the form of the SC-potential. For more information on how to perform and setup calculations, please consult the tutorial written by Thomas Steinbrecher at <http://ambermd.org>.

4.2. Umbrella sampling

Another free energy quantity that is accessible within *sander* is the ability to compute potentials of mean force (at least for simple distance, angle, or torsion variables) using umbrella sampling. The basic idea is as follows. You add an artificial restraint to the system to bias it to sample some coordinate in a certain range of values, and you keep track of the distribution of values of this coordinate during the simulation. Then, you repeatedly move the minimum of the biasing potential to different ranges of the coordinate of interest, and carry out more simulations. These different simulations (often called "windows") must have some overlap; that is, any particular value of the coordinate must be sampled to a significant extent in more than one window. After the fact, you can remove the effect of the biasing potential, and construct a potential of mean force, which is the free energy profile along the chosen coordinate.

The basic ideas have been presented in many places, [96–98, 126, 127] and will not be repeated here. The implementation in *sander* follows two main steps. First, restraints are set

4. Sampling and free energies

up (using the distance and angle restraint files) and the DUMPFREQ parameter is used to create "history" files that contain sampled values of the restraint coordinate. Second, a collection of these history files is analyzed (using the so-called "weighted histogram" or WHAM method [96–98]) to generate the potentials of mean force. As with thermodynamic integration, the *sander* program itself does not compute these free energies; it is up to the user to combine the output of several windows into a final result. For many problems, the programs prepared by Alan Grossfield (<http://membrane.urmc.rochester.edu/>) are very convenient, and the *sander* output files are compatible with these codes. Other methods of analysis, besides WHAM, may also be used. [128]

A simple example. The input below shows how one window of a potential of mean force might be carried out. The coordinate of interest here is the chi angle of a base in an RNA duplex. Here is the *mdin* file:

```
test of umbrella sampling of a chi torsion angle
&cntrl
nstlim=50000, cut=20.0, igb=1, saltcon=0.1,
ntpr=1, ntwr=100000, ntt=3, gamma_ln=0.2,
ntx=5, irest=1,
ntc=2, ntf=2, tol=0.000001,
dt=0.001, ntb=0,
nmropt=1,
/
&wt type='DUMPFREQ', istep1=10 /
&wt type='END' /
DISANG=chi.RST
DUMPAVE=chi_vs_t.170
```

The items in the *&cntrl* namelist are pretty standard, and not important here, except for specifying *nmropt=1*, which allows restraints to be defined. (The name of this variable is an historical artifact: distance and angle restraints were originally introduced to allow NMR-related structure calculations to be carried out. But they are also very useful for cases, like this one, that have nothing to do with NMR.) The DUMPFREQ command is used to request a separate file be created to hold values of the torsion angle; this will have the name *chi_vs_t.170* given in the DUMPAVE file redirection command.

The torsion angle restraint itself is given in the *chi.RST* file:

```
# torsion restraint for chi of residue 2
&rst iat=39,40,42,43, r1=0., r2=170., r3=170., r4=360., rk2 = 30.,
rk3 = 30., /
```

The *iat* variable gives the atom numbers of the four atoms that define the torsion of interest. We set $r2 = r3$ and $rk2 = rk3$ to obtain a harmonic bias sing potential, with a minimum at 170 o . The values *r1* and *r4* should be far away from 170, so that the potential is essentially harmonic everywhere. (It is not required that bias sing potentials be harmonic, but Dr. Grossfield's programs assume that they are, so we enforce that here.) Subsequent runs would change the minimum in the potential to values other than 170, creating other *chi_vs_t* files. These files would then be used to create potentials of mean force. Note that the conventionally defined

"force constant" is twice the value $rk2$, and that the Grossfield program uses force constants measured in degrees, rather than radians. So you must perform a unit conversion in using those programs, multiplying $rk2$ by 0.0006092 ($= 2(\pi/180)^2$) to get a equivalent force constant for a torsional restraint.

4.3. Targeted MD

The targeted MD option adds an additional term to the energy function based on the mass-weighted root mean square deviation of a set of atoms in the current structure compared to a reference structure. The reference structure is specified using the *-ref* flag in the same manner as is used for Cartesian coordinate restraints (NTR=1). Targeted MD can be used with or without positional restraints. If positional restraints are not applied (ntr=0), *sander* performs a best-fit of the reference structure to the simulation structure based on selection in *tgfitmask* and calculates the RMSD for the atoms selected by *tgtrmsmask*. The two masks can be identical or different. This way, fitting to one part of the structure but calculating the RMSD (and thus restraint force) for another part of the structure is possible. If targeted MD is used in conjunction with positional restraints (ntr=1), only *tgtrmsmask* should be given in the control input because the molecule is 'fitted' implicitly by applying positional restraints to atoms specified in *restraintmask*. The energy term has the form:

$$E = 0.5 * TGTMDFRC * NATTGTRMS * (RMSD-TGTRMSD)**2$$

The energy will be added to the RESTRAINT term. Note that the energy is weighted by the number of atoms that were specified in the *tgtrmsmask* (NATTGTRMS). The RMSD is the root mean square deviation and is mass weighted. The force constant is defined using the *tgmdfrc* variable (see below). This option can be used with molecular dynamics or minimization. When targeted MD is used, *sander* will print the current values for the actual and target RMSD to the energy summary in the output file.

itgtmd

= 0 no targeted MD (default)

= 1 use targeted MD

tgtrmsd Value of the target RMSD. The default value is 0. This value can be changed during the simulation by using the weight change option.

tgmdfrc This is the force constant for targeted MD. The default value is 0, which will result in no penalty for structure deviations regardless of the RMSD value. Note that this value can be negative, which would force the coordinates AWAY from the reference structure.

tgfitmask Define the atoms that will be used for the rms superposition between the current structure and the reference structure. Syntax is in Chapter 11.3.

tgtrmsmask Define the atoms that will be used for the rms difference calculation (and hence the restraint force), as outlined above. Syntax is in Chapter 11.3.

4. Sampling and free energies

One can imagine many uses for this option, but a few things should be kept in mind. Since there is currently only one reference coordinate set, there is no way to force the coordinates to any specific structure other than the reference. To move a structure toward a reference coordinate set, one might use an initial *tgtrmsd* value corresponding to the actual RMSD between the input and reference (*inpcrd* and *refc*). Then the weight change option could be used to decrease this value to 0 during the simulation. To move a structure away from the reference, one can increase *tgtrmsd* to values larger than zero. The minimum for this energy term will then be at structures with an RMSD value that matches *tgtrmsd*. Keep in mind that many different structures may have similar RMSD values to the reference, and therefore one cannot be sure that increasing *tgtrmsd* to a given value will result in a particular structure that has that RMSD value. In this case it is probably wiser to use the final structure, rather than the initial structure, as the reference coordinate set, and decrease *tgtrmsd* during the simulation. A negative force constant *tgtrmsdfr* can be used, but this can cause problems since the energy will continue to decrease as the RMSD to the reference increases.

Also keep in mind that phase space for molecular systems can be quite complex, and this method does not guarantee that a low energy path between initial and target structures will be followed. It is possible for the simulation to become unstable if the restraint energies become too large if a low-energy path between a simulated structure and the reference is not accessible.

Note also that the input and reference coordinates are expected to match the *prmtop* file and have atoms in the same sequence. No provision is made for symmetry; rotation of a methyl group by 120° would result in a non-zero RMSD value.

4.4. Steered Molecular Dynamics (SMD) and the Jarzynski Relationship

4.4.1. Background

SMD applies an external force onto a physical system, and drives a change in coordinates within a certain time. Several applications have come from Klaus Schulten's group. [129] An implementation where the coordinate in question changes in time at constant velocity is coded in this version of Amber. The present implementation has been done by the group of Prof. Dario Estrin in Buenos Aires <dario@q1.fcen.uba.ar> by Marcelo Marti <marcelomarti@yahoo.com> and Alejandro Crespo <alec@qi.fcen.uba.ar>, and in the group of Prof. Adrian Roitberg at the University of Florida <roitberg@ufl.edu>. [130]

The method should be thought of as an umbrella sampling where the center of the restraint is time-dependent as in:

$$V_{rest}(t) = (1/2)k[x - x_0(t)]^2$$

where x could be a distance, an angle, or a torsion between atoms or groups of atoms.

This methodology can be used then to drive a physical process such as ion diffusion, conformational changes and many other applications. By integrating the force over time (or distance), a generalized work can be computed. This work can be used to compute free energy differences using the so-called Jarzynski relationship. [131–133] This method states that the free energy difference between two states A and B (differing in their values of the generalized coordinate x) can be calculated as

4.4. Steered Molecular Dynamics (SMD) and the Jarzynski Relationship

$$\exp(-\Delta G/k_B T) = \langle \exp(-W/k_B T) \rangle_A \quad (4.7)$$

This means that by computing the work between the two states in question, and averaging over the initial state, equilibrium free energies can be extracted from non-equilibrium calculations. In order to make use of this feature, SMD calculations should be done, with different starting coordinates taken from equilibrium simulations. This can be done by running `sander` multiple times, or by running `multisander`. There are examples of the various modes of action under the `test/jar` directories in the amber distribution.

4.4.2. Implementation and usage

To set up a SMD run, set the `jar` variable in the `&cntrl` namelist to 1. The change in coordinates is performed from a starting to an end value in `nstlim` steps.

To specify the type and conditions of the restraint an additional ".RST" file is used as in `nmropt=1`. (Note that `jar=1` internally sets `nmropt=1`.) The restraint file is similar to that of NMR restraints (see Section 6.1), but fewer parameters are required. For instance, the following RST file could be used:

```
# Change distance between atoms 485 and 134 from 15 A to 20 A
&rst iat=485,134, r2=15., rk2 = 5000., r2a=20. /
```

Note that only `r2`, `r2a` and `rk2` are required; `rk3` and `r3` are set equal to these so that the harmonic restraint is always symmetric, and `r1` and `r4` are internally set so that the restraint is always operative. An SMD run changing an angle, would use three `iat` entries, and one changing a torsion needs four. As in the case of NMR restraints, group inputs can also be used, using `iat<0` and defining the corresponding groups using the `igr` flag.

The output file differs substantially from that used in the case of nmr restraints. It contains 4 columns: $x_0(t)$, x , force, work. Here work is computed as the integrated force over distances (or angle, or torsion). These files can be used for later processing in order to obtain the free energy along the selected reaction coordinate using Jarzynski's equality.

Example

The following example changes the distance between two atoms along 1000 steps:

```
Sample pulling input
&cntrl
nstlim=1000, cut=99.0, igb=1, saltcon=0.1,
ntpr=100, ntwr=100000, ntt=3, gamma_ln=5.0,
ntx=5, irect=1, ig = 256251,
ntc=2, ntf=2, tol=0.000001,
dt=0.002, ntb=0, tempi=300., temp0=300.,
jar=1,
/
&wt type='DUMPFREQ', istep1=1, /
&wt type='END', /
DISANG=dist.RST
DUMPAVE=dist_vs_t
```

4. Sampling and free energies

```
LISTIN=POUT
LISTOUT=POUT
```

Note that the flag *jar* is set to 1, and redirections to the *dist.RST* file are given. In this example the values in the output file *dist_vs_t* are written every *istep=1* steps.

The restraint file *dist.RST* in this example is:

```
# Change distance between atoms 485 and 134 from 15 A to 20.0 A
&rst iat=485,134, r2=15., rk2 = 5000., r2a=20.0, /
```

and the output *dist_vs_t* file might contain:

```
15.00000 15.12396 -1239.55482 0.00000
15.00500 14.75768 2470.68119 3.07782
15.01000 15.13490 -1246.46571 6.13835
15.01500 15.15041 -1350.03026 -0.35289
15.02000 14.77085 2481.56731 2.47596
15.02500 15.12423 -987.34073 6.21152
15.03000 15.18296 -1520.41603 -0.05787
15.03500 14.79016 2431.22399 2.21915
.....
19.97000 19.89329 4.60255 67.01305
19.97500 19.87926 4.78696 67.03652
19.98000 19.86629 4.54839 67.05986
19.98500 19.85980 3.75589 67.08062
19.99000 19.86077 2.58457 67.09647
19.99500 19.86732 1.27678 67.10612
```

In this example, the work of pulling from 15.0 to 20.0 (over 2 ps) was 67.1 kcal/mol. One would need to repeat this calculation many times, starting from different snapshots from an equilibrium trajectory constrained at the initial distance value. This could be done with a long MD or a REMD simulation, and postprocessing with ptraj to extract snapshots. Once the work is computed, it should be averaged using Eq. (6.27) to get the final estimate of the free energy difference. The number of simulations, the strength of the constraint, and the rate of change are all important factors. The user should read the appropriate literature before using this method. It is recommended that the width of the work distribution do not exceed 5-10% for faster convergence. An example using multisander to run two of these simulations at the same time is presented under \$AMBERHOME/test. In many cases, umbrella sampling (see Section 4.2) may be a better way to estimate the free energy of a conformational change.

4.5. Replica Exchange Molecular Dynamics (REMD)

In the one dimensional replica-exchange method, noninteracting copies of the system (replicas) are simulated concurrently at different values of some independent variable, such as temperature. Replicas are subjected to Monte Carlo move evaluation periodically, thus effecting exchange between values of the independent variable. The replica-exchange method enables simulation in a generalized ensemble — one in which states may be weighted by non-Boltzmann

4.5. Replica Exchange Molecular Dynamics (REMD)

probabilities. (However, one advantage of replica-exchange is the simplicity inherent in its use of Boltzmann factors.) Consequently, local potential energy wells may not dominate traversal through phase space because a replica trapped in a local minimum can escape via exchange to a different value of the independent variable. [134] The *multisander* approach runs multiple *sander* jobs concurrently under a single MPI program. This can be used to just run unconnected parallel jobs, but it is more useful to use this as a platform for the *replica exchange method*.

The replica exchange method in temperature space for molecular dynamics (REMD) [134–136] has been implemented on top of the framework that *multisander* provides. N non-interacting replicas are simultaneously simulated in N separate MPI groups, each of which has its own set of input and output files. One process from each MPI group is chosen to form another MPI group (called the master group), in which exchanges are attempted.

4.5.1. Changes to REMD in Amber 10

IMPORTANT NOTE: The implementation of REMD has changed significantly in Amber 10. In the previous REMD implementation, *sander* was called as a subroutine from *multisander* program. At the start of previous replica exchange runs, *sander* was called once to obtain the current potential energies of each of the input coordinates. *Multisander* then entered a loop over the number of exchange attempts, calling *sander* each time. In each loop, the first step was to calculate the exchange probabilities between neighboring pairs of temperatures.

In the current REMD implementation the loop over exchanges is done using calls to *runmd* inside *sander*. As before, there is an initial call to *runmd* which obtains energies for the first exchange only; no dynamics are performed. Also as before, the exchange calculation is performed before dynamics. This implementation has several advantages. In the previous implementation, each time a call was made to *sander* from *multisander* processes like reading the topology file, memory allocation, *etc.* had to be repeated. This could result in significant slowdown, particularly with intensive file I/O on NFS filesystems (due to buffering issues). In the current implementation there is only one call to *multisander* from *sander*, avoiding these problems. This also makes it so that output and info (MDOUT and MDINFO) files behave normally (*i.e.* as they do in standard MD runs - Note: This is the opposite behaviour to REMD in AMBER 9).

However, it is important to note that due to these changes *all output is currently by replica only, not by temperature!* This is equivalent to the `repcrd &cntrl` namelist variable being set to 1. Setting `repcrd = 0` currently has no effect and will generate a warning message in the output file. To facilitate post-processing of trajectory data by temperature a header line is written to each frame just before the coordinates. This header line has the format:

```
REMD <replica#> <exchange#> <step#> <Temperature>
```

PTRAJ will be able to read trajectories with this new format.

The ability to run REMD with a structure reservoir has been implemented; this is described in detail in a following section.

The value for `irest` no longer needs to be 1. An `irest` value of 1 will cause the replica temperatures to be read from the restart files - otherwise the replica temperatures will be read from the input files.

4. Sampling and free energies

4.5.2. Running REMD simulations

The N replicas are first sorted in an array by their target temperatures. Half of the N replicas (replicas with even array indices) are chosen to be exchange initiators. These initiators pair with their right and left neighbors alternatively after each *runmd* call. Topologically, the N temperature-sorted replicas form a loop, in which the first and the last replicas are neighbors. Therefore, $N/2$ exchanges are attempted in each iteration. The current potential energies and target (*temp0*) temperatures are used in a Metropolis-type calculation to determine the probability of making the exchange. If the exchange is allowed between the pair, the target temperatures for the two replicas are swapped before the next *runmd* call. The velocities of each replica involved in successful exchange are then adjusted by a scaling factor related to the previous and new target temperatures. After the exchange calculation, *runmd* is called to perform MD following the *mdin* file. After this *runmd* run, the exchange probability is calculated again, and so on.

Before starting a replica exchange simulation, an optimal set of target temperatures should be determined so that the exchange ratio is roughly a constant. These target temperatures determine the probability of exchange among the replicas, and the user is referred to the literature for a more complete description of the influence of various factors on the exchange probability.

Each replica requires (for input files) or generates (for output files) its own *mdin*, *inpcrd*, *mdout*, *mdcrd*, *restrt*, *mdinfo*, and associated files. The names are provided through the specification of a *groupfile* on the command line with the *-groupfile groupfile* option. The *groupfile* file contains a separate command line for each of the replicas or multisander instances, one per line (with no extra lines except for comments, which must have a '#' in the first column). To choose the number of replicas or multisander instances, the *-ng N* command line option is used (in this case to specify N separate instances.) If the number of processors (for the MPI run) is larger than N (and also a multiple of N), each replica or multisander instance will run on a number of processors equal to the total specified on the command line divided by N . Note that in the *groupfile*, the *-np* option is currently ignored, *i.e.* each replica or multisander instance is currently hardcoded to run on an equivalent number of processors.

For example, an 4-replica REMD job will need 4 *mdin* and 4 *inpcrd* files. Then, the *groupfile* might look like this:

```
#
# multisander or replica exchange group file
#
-O -i mdin.rep1 -o mdout.rep1 -c inpcrd.rep1 -r restrt.rep1 -x mdcrd.rep1
-O -i mdin.rep2 -o mdout.rep2 -c inpcrd.rep2 -r restrt.rep2 -x mdcrd.rep2
-O -i mdin.rep3 -o mdout.rep3 -c inpcrd.rep3 -r restrt.rep3 -x mdcrd.rep3
-O -i mdin.rep4 -o mdout.rep4 -c inpcrd.rep4 -r restrt.rep4 -x mdcrd.rep4
```

Note that the *mdin* and *inpcrd* files are *not* required to be ordered by their target temperatures since the temperatures of the replicas will not remain sorted during the simulation. Sorting is performed automatically at each REMD iteration as described above. Thus one can restart REMD simulations without modifying the restart files from the previous REMD run (see below for more information about restarting REMD).

It is important to ensure that the target temperature (specified using *temp0*) is the only difference among the *mdin* files for the replicas, otherwise the outcome of an REMD simulation may

4.5. Replica Exchange Molecular Dynamics (REMD)

be unpredictable since each replica may be performing a different type of simulation. However, in order to accommodate advanced users, the input files are not explicitly compared.

4.5.3. Restarting REMD simulations

It is recommended that each REMD run generate a new set of output files (such as mdcrd), but for convenience one may use `-A` in the command line in order to append output to existing output files. This can be a useful option when restarting REMD simulations. If `-A` is used, files that were present before starting the REMD simulation are appended to throughout the new simulation. Note that this can seriously affect performance on systems where the file writing becomes rate limiting, although the new implementation of REMD should help with this somewhat. If `-O` is used, any files present are overwritten during the first iteration, and then subsequent iterations append to these new files.

At the end of a REMD simulation, the target temperature of each replica is most likely not the same as it was at the start of the simulation (due to exchanges). If one wishes to continue this simulation, sander will need to know that the target temperatures have changed. Since the target temperature is normally specified in the mdin file (using `temp0`), the previous mdin files would all need to be modified to reflect changes in target temperature of each replica. In order to simplify this process, the program will write the current target temperature as additional information in the restart files during an REMD simulation. When an REMD simulation is started, the program will check to see if the target temperature is present in the restart file. If it is present, this value will override the target temperature specified using `temp0` in the mdin file. In this manner, one can restart the simulation from the set of restart files and the program will automatically update the target temperature of each replica to correspond to the final target temperature from the previous run. If the target temperature is not present (as would be the case for the first REMD run), the correct values should be present in the mdin files.

4.5.4. Content of the output files

As noted above, the current implementation of REMD restores the normal behavior of output and info (MDOUT and MDINFO) files. Again, it is important to note that in the current implementation of REMD *all output is currently BY REPLICA ONLY, NOT BY TEMPERATURE!* This is equivalent to the `repcrd &cntrl` namelist variable being set to 1. Setting `repcrd = 0` currently has no effect and will generate a warning message in the output file. To facilitate post processing of trajectory data by temperature, a header line is written to each frame just before the coordinates. This header line has the format:

```
REMD <replica#> <exchange#> <step#> <Temperature>
```

PTRAJ will be able to read trajectories with this new format.

Output files will now contain information pertaining to the current replica for each exchange. For example:

```
=====REMD EXCHANGE CALCULATION=====
Exch= 5 RREMD= 0
Replica Temp= 386.40 Indx= 2 Rep#= 1 EPot= -1518.88
```

4. Sampling and free energies

```
Partner Temp= 393.50 Indx= 3 Rep#= 3 EPot= -1485.53
Metrop= 0.456848E+00 delta= 0.783404E+00 o_scaling= 0.99
Rand= 0.191995E+00 MyScaling= 1.01 Success= T
=====END REMD EXCHANGE CALCULATION=====
```

Here, Exch is the current exchange and RREMD is the type of Reservoir employed (0 indicates no reservoir, i.e. standard REMD; see section on Reservoir REMD for more details). Next, the Replica line gives information about the current replica: the temperature, temperature index (Indx), the replica#, and the potential energy. The Partner line gives the same information for this replica's current partner. If this replica is controlling the exchange (Indx is even) then the Metropolis factor, the delta, random number, and scaling values are also printed.

4.5.5. Major changes from sander when using replica exchange

Within an MPI job, as discussed above, it is now possible to run multiple sander jobs at once, such that each job gets a subset of the total processors. To run multisander and replica exchange, there are three command-line arguments:

- ng** specifies the number of sander runs (replicas) to perform concurrently. Note that at present, the number of replicas must be a divisor of the total number of processors (specified by the MPI run command). The input and output file information must be provided in a groupfile (as described earlier in this section).
- rem** specifies the type of replica exchange simulation. Only two options are currently available. 0, no replica exchange (standard MD) (default behavior if -rem is not specified on command line); 1, regular replica exchange (requires -ng).
- remlog** specifies the filename of a log file. This file records from left to right, for every replica and every exchange attempt, the velocity scaling factor (negative if the exchange attempt failed), current actual temperature, current potential energy, current target temperature, and the new target temperature. The default value is *rem.log*.
- remtype** specifies a filename for the remtype file; this file provides helpful information about the current replica run. For reservoir REMD runs it also prints reservoir information. Default is "rem.type"

Next, there are new variables in the &cntrl namelist:

- repcrd This variable is temporarily disabled.
- numexchg The number of exchange attempts, default 0.
- nstlim the number of MD steps *between exchange attempts*. Note that NSTLIM is not a new variable for REMD, but the meaning is somewhat different. The total length of the REMD simulation will be nstlim*numexchg steps long.

4.5.6. Cautions when using replica exchange

While many variations of replica exchange have been tested with sander, all possible variations have not been tested and the option is intended for use by advanced researchers that already have a comprehensive understanding of standard molecular dynamics simulations. Caution should be used when creating REMD input files. Amber will check for the most obvious errors but due to the nature of the multiple output files the reason for the error may not be readily apparent. The following is only a subset of things that users should keep in mind:

1. The number of replicas must be an even number (so that all replicas have a partner for exchange).
2. Temp0 values for each replica must be unique.
3. Other than temp0, mdin files should normally be identical.
4. Temp0 values should not be changed in the nmropt=1 weight change section.
5. As of Amber 10 the value of irest does not have to be 1. If irest is 1, the replica temperatures will be read from the restart files. If irest is 0, the replica temperatures will be read from the input files. This means that it is no longer necessary for inpcrd files to have velocities.
6. A groupfile is required (this was not the case in Amber8).
7. If high temperatures are used, it may be necessary to use a smaller time step and possibly restraints to prevent cis/trans isomerization or chirality inversion.
8. Due to increased diffusion rates at high temperature, it may be good to use iwrap=1 to prevent coordinates from becoming too large to fit in the restart format.
9. Note that the optimal temperature range and spacing will depend on the system. The user is strongly recommended to read the literature in this area.
10. Constant pressure is not supported for REMD simulations. This means NTB must be 0 or 1.

4.5.7. Replica exchange example

Below is an example of an 8-replica REMD run on 16 processors, assuming that relevant environment variables have been properly set.

```
$MPIRUN -np 16 sander -ng 8 -groupfile groupfile
```

Here is the groupfile:

```
#
# multisander or replica exchange group file
#
-O -rem 1 -i mdin.rep1 -o mdout.rep1 -c inpcrd.rep1 -r restrt.rep1 -x mdcrd.rep1
-O -rem 1 -i mdin.rep2 -o mdout.rep2 -c inpcrd.rep2 -r restrt.rep2 -x mdcrd.rep2
```

4. Sampling and free energies

```
-O -rem 1 -i mdin.rep3 -o mdout.rep3 -c inpcrd.rep3 -r restrt.rep3 -x mdcrd.rep3
-O -rem 1 -i mdin.rep4 -o mdout.rep4 -c inpcrd.rep4 -r restrt.rep4 -x mdcrd.rep4
-O -rem 1 -i mdin.rep5 -o mdout.rep5 -c inpcrd.rep5 -r restrt.rep5 -x mdcrd.rep5
-O -rem 1 -i mdin.rep6 -o mdout.rep6 -c inpcrd.rep6 -r restrt.rep6 -x mdcrd.rep6
-O -rem 1 -i mdin.rep7 -o mdout.rep7 -c inpcrd.rep7 -r restrt.rep7 -x mdcrd.rep7
-O -rem 1 -i mdin.rep8 -o mdout.rep8 -c inpcrd.rep8 -r restrt.rep8 -x mdcrd.rep8
```

This input specifies that REMD should be used (-rem 1), with 8 replicas (-ng 8) and 2 processors per replica (-np 16). Note that the total number of processors should always be a multiple of the number of replicas.

Here is a section of a sample rem.log file produced by Amber:

```
# replica exchange log file
# Replica #, Velocity Scaling, T, Eptot, Temp0, NewTemp0, Success rate (i,i+1)
# exchange 1
1 1.46 0.00 -541.20 269.50 570.90 0.00
2 1.06 0.00 -541.20 300.00 334.00 2.00
3 0.95 0.00 -541.20 334.00 300.00 0.00
4 1.06 0.00 -541.20 371.80 413.90 2.00
5 0.95 0.00 -541.20 413.90 371.80 0.00
6 1.06 0.00 -541.20 460.70 512.90 2.00
7 0.95 0.00 -541.20 512.90 460.70 0.00
8 0.69 0.00 -541.20 570.90 269.50 2.00
# exchange 2
1 -1.00 0.00 -491.39 570.90 570.90 1.00
2 -1.00 0.00 -547.98 334.00 334.00 0.00
3 -1.00 0.00 -553.87 300.00 300.00 1.00
4 -1.00 0.00 -518.92 413.90 413.90 0.00
5 -1.00 0.00 -538.17 371.80 371.80 1.00
6 -1.00 0.00 -494.00 512.90 512.90 0.00
7 -1.00 0.00 -498.12 460.70 460.70 1.00
8 -1.00 0.00 -567.18 269.50 269.50 0.00
# exchange 3
1 -1.00 0.00 -462.14 570.90 570.90 0.67
2 0.95 0.00 -539.83 334.00 300.00 0.00
3 1.06 0.00 -537.76 300.00 334.00 1.33
4 -1.00 0.00 -510.33 413.90 413.90 0.00
5 -1.00 0.00 -540.74 371.80 371.80 0.67
6 -1.00 0.00 -491.99 512.90 512.90 0.00
7 -1.00 0.00 -522.01 460.70 460.70 0.67
8 -1.00 0.00 -568.87 269.50 269.50 0.00
```

Note that a section of the log file is written for each exchange attempt. For each exchange, the log contains a line for each replica. This line lists the replica number, the velocity scaling factor, the actual instantaneous temperature, the potential energy, the old and new target temperatures, and the current overall success rate for exchange between this temperature and the next higher

4.5. Replica Exchange Molecular Dynamics (REMD)

temperature. Note that the velocity scaling factor will be -1.0 if the exchange was not successful. In that case, the old and new target temperatures will be identical.

In this particular example, all of the `inpcrd` files were identical, and thus the potential energies listed for exchange 1 are identical. For this reason, all of the exchanges are successful. After this exchange, MD is performed for `nstlim` steps, and so the potential energies are no longer identical at exchange #2.

Note that the exchange success rate may be larger than 1.0 during the first few attempts, since each particular pair is considered only every other attempt. The success rate is the number of accepted exchanges for the pair divided by the total number of exchange attempts, multiplied by 2 to account for the alternating neighbors.

4.5.8. Replica exchange using a hybrid solvent model

This section describes an advanced feature of Amber that is currently under development. [137, 138] Users that are not already comfortable with standard replica exchange simulations should likely get more experience with them before attempting hybrid solvent REMD calculations.

For large systems, REMD becomes intractable since the number of replicas needed to span a given temperature range increases roughly with the square root of the number of degrees of freedom in the system. Recognizing that the main difficulty in applying REMD with explicit solvent lies in the number of simulations required, rather than just the complexity of each simulation, we recently developed a new approach in which each replica is simulated in explicit solvent using standard methods such as periodic boundary conditions and inclusion of long-range electrostatic interactions using PME. However, the calculation of exchange probabilities (which determines the temperature spacing and thus the number of replicas) is handled differently. Only a subset of closest water molecules is retained, with the remainder temporarily replaced by a continuum representation. The energy is calculated using the hybrid model, and the exchange probability is determined. The original solvent coordinates are then restored and the simulation proceeds as a continuous trajectory with fully explicit solvation. This way the perceived system size for evaluation of exchange probability is dramatically reduced and fewer replicas are needed.

An important difference from existing hybrid solvent models is that the system is fully solvated throughout the entire MD simulation, and thus the distribution functions and solvent properties should not be affected by the use of the hybrid model in the exchange calculation. In addition, no restraints of any type are needed for the solvent, and the solute shape and volume may change since the solvation shells are generated for each replica on the fly at every exchange calculation. Nearly no computational overhead is involved since the calculation is performed infrequently as compared to the normal force evaluations. Thus the hybrid REMD approach can employ more accurate continuum models that are too computationally demanding for use in each time step of a standard molecular dynamics simulation. However, since the Hamiltonian used for the exchange differs from that employed during dynamics, these simulations are approximate and are not guaranteed to provide correct canonical ensembles.

4.5.9. Changes to hybrid REMD in Amber 10

Previously, in order to use hybrid solvent REMD in Amber 9, 2 sets of topology and input files were needed; one for the fully solvated system and one for the "stripped" system containing the desired number of water molecules. Now that REMD has been implemented completely inside sander, only one set of files (the ones for the fully solvated system) is needed. All information for the hybrid calculation is taken from these files. In particular this means that *the correct GB radii must be specified in the fully solvated topology file*, since they will be read from this file. The GB model is specified by the new &cntrl namelist variable *hybridgb*.

This means that 1) The user no longer needs to create a separate topology file for the stripped system and 2) the .strip files containing the coordinates of the stripped system are no longer written every exchange, which reduces file I/O during a hybrid REMD run. If desired, the stripped coordinates can be dumped to a trajectory file by using the *-hybridtraj <FILE>* command line option.

At each exchange calculation sander will create the hybrid system based on the current coordinates for the fully solvated system. This is done by calculating the distance of each water oxygen to the nearest solute atom, and sorting the water by increasing shortest distance. The closest *numwatkeep* are retained and the potential energy is calculated using the GB model specified by *hybridgb*. After the energy calculation the fully solvated system is restored.

For a more complete example, users are directed to the hybridREMD test case (in the rem_hybrid subdirectory) in the Amber test directory.

numwatkeep The number of explicit waters that should be retained for the calculation of potential energy to be used for the exchange calculation. Before each exchange attempt, the closest numwatkeep waters will be retained (closest to the solute) and the rest will be temporarily removed and then replaced after the exchange probability has been calculated. The default value is -1, indicating that all waters should be retained (standard REMD). A value of 0 would direct Amber to remove all of the explicit water (as in MM-PBSA) while a non-zero value will result in some water close to the solute being retained while the rest is removed. Currently it is not possible to select a subset of solute atoms for determining which waters are "close". Determining the optimal *numwatkeep* value is a topic of current research.

hybridgb Specifies which GB model should be used for calculating the PE of the stripped coordinates, equivalent to the *igb* variable. Currently only *hybridgb* values of 1, 2, and 5 are supported.

4.5.10. Cautions for hybrid solvent replica exchange

This option has not been extensively tested. The following would not be expected to work without further modification of the code:

1. Only the water is imaged for the creation of the stripped system. Care should be taken with dimers (such as DNA duplexes) to ensure that the imaging is correct.
2. Explicit counterions should probably not be used.
3. The choice of implicit solvent model will likely have a large effect on the resulting ensemble.

4.5.11. Reservoir REMD

The ability to perform REMD with a structure reservoir [139, 140] has been implemented in Amber 10. Although REMD can significantly increase the efficiency of conformational sampling, obtaining converged data can still be challenging. This is particularly true for larger systems, as the number of replicas needed to span a given temperature range increases with the square root of the number of degrees of freedom in the system. Another consideration is that the folding rate of a peptide tends not to be as dependent on temperature as the unfolding rate, making the search for native peptide structures in higher temperature replicas more problematic; in the case where a native-like structure is found it will almost always be exchanged to a lower temperature replica, requiring a repeat of the search process. In addition, the exchange criterion in REMD assumes a Boltzmann-weighted ensemble of structures, which is typically not the case at the start of a REMD simulation. Although the exchange criterion will eventually drive each replica toward a Boltzmann-weighted ensemble of structures, this essentially means that until all of the replicas are converged, none of the replicas are converged.

Reservoir REMD is a method which can significantly enhance the rate of convergence and reduce the high computational expense of standard REMD simulations. An ensemble of structures (or reservoir) is generated at high temperature, then linked to lower temperatures via REMD. Periodic exchanges are attempted between randomly chosen structures in the reservoir and the highest temperature replica. If the structure reservoir is already Boltzmann-weighted, [139] convergence is significantly enhanced as the lower temperature replicas simply act to re-weight the reservoir ensemble - in essence all of the searching has been accomplished from the start. This is in contrast to standard REMD where all the replicas are run simultaneously, and the computational expense for running long simulations must be paid for each of the replicas even though only a few high-temperature ones may be contributing to sampling of new basins.

One major advantage of this approach is that a converged ensemble of conformations needs to be generated only once and only for one temperature. Typically this temperature should be high enough to facilitate crossing of energy barriers, but low enough that there is still a measureable fraction of native structure present. Another advantage is that exchanges with the reservoir do not need to be time-correlated with the replica simulations; folding events sampled during reservoir generation can provide multiple native structures for the other replicas.

It may not always be possible however to generate a Boltzmann-weighted ensemble of structures (e.g. for a large molecule in explicit solvent). In such cases it is possible to use a non-Boltzmann weighted reservoir by modifying only the exchange criterion between the reservoir and the highest temperature replica (see Ref. ? for further details). If the weight of all structures in the reservoir is set to 1, this corresponds to a completely flat distribution across the free energy landscape. Alternatively, weights can be assigned to structures based on various structural properties. In the current implementation, weights are assigned to structures via dihedral bin clustering, wherein clusters are identified by unique configurations of user-defined dihedral angles.

There are several new command line arguments that pertain to Reservoir REMD:

-rremd Type of reservoir to use.

= 0 No reservoir (Default)

= 1 Boltzmann-weighted reservoir

4. Sampling and free energies

= 2 Non-Boltzmann weighted reservoir where the weight of each structure in the reservoir is assumed to be $1/N$

= 3 Non-Boltzmann weighted reservoir with weights defined by dihedral angle binning.

-reservoir Specifies the file name prefix for reservoir structures. Reservoir structure files should be in the restart file format *MDRESTART*, and are expected to be named according to the format <name>.XXXXXX, where XXXXXX is a 6 digit integer, e.g. frame.000001. Default is "reserv/frame". **IMPORTANT NOTE:** Structure numbering should begin at 1.

-saveene specifies the file containing energies of the structures in the reservoir (default filename is "saveene"). This file must contain a header line with format:

```
<# reservoir structures> <reservoir T> <#atoms>
<random seed> <velocity flag>
```

If the velocity flag =1 then velocity information will be read from the reservoir structure files, otherwise (if velocity flag =0) velocities will be assigned to the structure based on the reservoir temperature. After the header line there should be a line containing the potential energy of each reservoir structure. **IMPORTANT NOTE:** For reservoir REMD with dihedral bin clustering (rremd==3) each potential energy should be followed by the cluster # that reservoir structure belongs to.

-clusterinfo For reservoir REMD with dihedral bin clustering (rremd==3) this file specifies what dihedrals are used and the binsize, as well as what cluster each reservoir structure belongs to. Default is "cluster.info". File has the following format:

```
<# Dihedral Angles>
<atom# 1> <atom# 2> <atom# 3> <atom# 4> [Dihedral 1]
. .
. .
. .
<atom# 1> <atom# 2> <atom# 3>
<atom# 4> [# Dihedral Angles]
<Total # Clusters>
<Cluster #> <Weight>
<Bin1><Bin2>...<Bin #Dihedral Angles> [Cluster 1]
. .
. .
. .
<Cluster #> <Weight>
<Bin1><Bin2>...<Bin #Dihedral Angles> [# Clusters]
```

The first line is the number of dihedral angles that will be binned, following the definition of those dihedral angles (4 atoms using sander atom #s, starting from 1) and the bin size for each dihedral angle. Next is the total # of clusters followed by lines providing information about each cluster: the cluster number, weight and ID as defined by dihedral binning. The ID is composed of consecutive 3 digit integers, 1 for each dihedral angle.

4.6. Adaptively biased MD, steered MD, and umbrella sampling with REMD

For example, a structure belonging to cluster 7 with a weight of 2 with 2 dihedral angles that fall in bins 3 and 8 would look like:

```
7 2 003008
```

4.6. Adaptively biased MD, steered MD, and umbrella sampling with REMD

4.6.1. Overview

The following describes a suite of modules useful for the calculation of the free energy associated with a reaction coordinate $\sigma(\mathbf{r}_1, \dots, \mathbf{r}_N)$ (which is defined as a smooth function of the atomic positions $\mathbf{r}_1, \dots, \mathbf{r}_N$):

$$f(\xi) = -k_B T \ln \langle \delta[\xi - \sigma(\mathbf{r}_1, \dots, \mathbf{r}_N)] \rangle,$$

(the angular brackets denote an ensemble average, k_B is the Boltzmann constant and T is the temperature) that is also frequently referred to as the *potential of mean force*.

Specifically, new frameworks are provided for equilibrium umbrella sampling and steered molecular dynamics that enhance the functionality delivered by earlier implementations (described earlier in this manual), along with a new `Adaptively Biased Molecular Dynamics (ABMD)` method [141] that belongs to the general category of umbrella sampling methods with a time-dependent potential. Such methods were first introduced by Huber, Torda and van Gunsteren (the Local Elevation Method [142]) in the molecular dynamics (MD) context, and by Wang and Landau in the context of Monte Carlo simulations [143]. More recent approaches include the adaptive force bias method [144], and the metadynamics method [145, 146]. All these methods estimate the free energy of a reaction coordinate from an evolving ensemble of realizations, and use that estimate to bias the system dynamics to flatten an effective free energy surface. Collectively, these methods may all be considered to be umbrella sampling methods with an evolving potential.

The `ABMD` method grew out of attempts to speed up and streamline the metadynamics method for free energy calculations with a *controllable* accuracy. It is characterized by a favorable scaling in time, and only a few (two) control parameters. It is formulated in terms of the following equations:

$$m_a \frac{d^2 \mathbf{r}_a}{dt^2} = \mathbf{F}_a + \frac{\partial}{\partial \mathbf{r}_a} U[t|\sigma(\mathbf{r}_1, \dots, \mathbf{r}_N)],$$
$$\frac{\partial U(t|\xi)}{\partial t} = \frac{k_B T}{\tau_F} G[\xi - \sigma(\mathbf{r}_1, \dots, \mathbf{r}_N)],$$

where the first ones represent Newton's equations that govern ordinary MD (temperature and pressure regulation terms are not shown) augmented with an additional force coming from the time dependent biasing potential $U(t|\xi)$ [$U(t=0|\xi) = 0$], whose time evolution is given by the second equation. $G(\xi)$ is a positive definite and symmetric kernel, which may be thought of as a smoothed Dirac delta function. For large enough τ_F (the flooding timescale) and small enough kernel width, the biasing potential $U(t|\xi)$ converges towards $-f(\xi)$ as $t \rightarrow \infty$.

4. Sampling and free energies

Our numerical implementation of the `ABMD` method involves the use of a bi-weight kernel along with the use of cubic B-splines (or products thereof) to discretize the biasing potential $U(t|\xi)$ w.r.t. ξ , and an Euler-like scheme for time integration. `ABMD` admits two important extensions, which lead to a more uniform flattening of $U(t|\xi) + f(\xi)$ due to an improved sampling of the “evolving” canonical distribution. The first extension is identical in spirit to the *multiple walkers metadynamics* [147, 148]. It amounts to carrying out several different `MD` simulations biased by the same $U(t|\xi)$, which evolves via:

$$\frac{\partial U(t|\xi)}{\partial t} = \frac{k_B T}{\tau_F} \sum_{\alpha} G[\xi - \sigma(\mathbf{r}_1^{\alpha}, \dots, \mathbf{r}_N^{\alpha})],$$

where α labels different `MD` trajectories. A second extension is to gather several different `MD` trajectories, each bearing its own biasing potential and, if desired, its own distinct collective variable, into a generalized ensemble for “replica exchange” with modified “exchange” rules [149–151]. Both extensions are advantageous and lead to a more uniform flattening of $U(t|\xi) + f(\xi)$.

In order to assess and improve the accuracy of the free energies, the `ABMD` simulations may need to be followed up with equilibrium umbrella sampling runs, which make use of the biasing potential $U(t|\xi)$ *as is*. Such a procedure is very much in the spirit of adaptive umbrella sampling. With these runs, one calculates the biased probability density:

$$p^B(\xi) = \langle \delta[\xi - \sigma(\mathbf{r}_1, \dots, \mathbf{r}_N)] \rangle_B.$$

The idea here is that if, as a result of an `ABMD` run, $f(\xi) + U(t|\xi) = 0$ exactly, then the biased probability density $p^B(\xi)$ would be flat (constant). In practice, this is typically not the case, but one can use $p^B(\xi)$ to “correct” the free energy via:

$$f(\xi) = -U(\xi) - k_B T \ln p^B(\xi).$$

This procedure has previously been successfully used to calculate accurate free energy maps for a number of molecules including several short peptides.

If you find any of these modules useful, we would ask you to kindly consider quoting the following paper: V. Babin, C. Roland, and C. Sagui, “*Adaptively biased molecular dynamics for free energy calculations*”, *J. Chem. Phys.* **128**, 134101 (2008).

4.6.2. Reaction Coordinates

A reaction coordinate is defined in the `variable` section (see Fig. 4.1). This section must contain a `type` keyword along with a value of `type` `STRING` and a list of integers `i` (the number of integers vary depending on the variable type). For some types of reaction coordinates the `variable` section must also contain a list of real numbers, `r`, whose length depends on the specific type.

The following reaction coordinates are currently implemented¹:

- `type = DISTANCE` : distance (in Å) between two atoms whose indexes are read from the list `i`.

¹It is really easy to program another one, if desired.

4.6. Adaptively biased MD, steered MD, and umbrella sampling with REMD

```
1 variable
2   type = STRING
3   i = (i1, i2, ..., iN)
4   r = (r1, r2, ..., rM)
5 end variable
```

Figure 4.1: Syntax of reaction coordinate definition: *type* is a *STRING*, *i* is a list of integer numbers and *r* is a list of real numbers.

- *type* = ANGLE : angle (in radians) between the lines joining atoms with indexes *i*₁ and *i*₂ and atoms with indexes *i*₂ and *i*₃.
- *type* = TORSION : dihedral angle (in radians) formed by atoms with indexes *i*₁, *i*₂, *i*₃ and *i*₄.
- *type* = R_OF_GYRATION : radius of gyration (in Å) of atoms with indexes given in the *i* list (mass weighted).

```
1 variable
2   type = MULTI_RMSD
3   i = (1, 2, 3, 4, 0, 3, 4, 5, 0) ! the last zero is optional
4   r = (1.0, 1.0, 1.0, ! group #1, atom 1
5         2.0, 2.0, 2.0, ! group #1, atom 2
6         3.0, 3.0, 3.0, ! group #1, atom 3
7         4.0, 4.0, 4.0, ! group #1, atom 4
8         23.0, 23.0, 23.0, ! group #2, atom 3
9         4.0, 4.0, 4.0, ! group #2, atom 4
10        5.0, 5.0, 5.0) ! group #2, atom 5
11 end variable
```

Figure 4.2: An example of *MULTI_RMSD* variable definition.

- *type* = MULTI_RMSD : RMS (in Å, mass weighted) of RMSDs of several groups of atoms w.r.t. reference positions provided in the *r* list. The *i* list is interpreted as a list of indexes of participating atoms. Zeros separate the groups. An atom may enter several groups simultaneously. The *r* array is expected to contain the reference positions (without zero sentinels). The implementation uses the method (and the code) introduced in Ref. [152]. An example of variable of this type is presented in Fig. 4.2. Two groups are defined here: one comprises the atoms with indexes 1, 2, 3, 4 (line 3 in Fig. 4.2, numbers prior to the first zero) and another one of atoms with indexes 3, 4, 5. The code will first compute the (mass weighted) RMSD (R_1) of atoms belonging to the first group w.r.t. reference coordinates provided in the *r* array (first 12 = 4 × 3 real numbers of it; lines 4, 5, 6, 7 in Fig. 4.2). Next, the (mass weighted) RMSD (R_2) of atoms of the second group w.r.t. the corresponding reference coordinates (last 9 = 3 × 3 elements of the *r* array in Fig. 4.2)

4. Sampling and free energies

will be computed. Finally, the code will compute the value of the variable as follows:

$$\text{value} = \sqrt{\frac{M_1}{M_1 + M_2} R_1^2 + \frac{M_2}{M_1 + M_2} R_2^2},$$

where M_1 and M_2 are the total masses of atoms in the corresponding groups.

- `type = N_OF_BONDS :`

$$\text{value} = \sum_p \frac{1 - (r_p / r_0)^6}{1 - (r_p / r_0)^{12}},$$

where the sum runs over pairs of atoms p , r_p denotes distance between the atoms of pair p and r_0 is a parameter measured in Å. The `r` array must contain exactly one element that is interpreted as r_0 . The `i` array is expected to contain pairs of indexes of participating atoms. For example, if 1 and 2 are the indexes of Oxygen atoms and 3, 4, 5 are the indexes of Hydrogen atoms and one intends to count all possible O-H bonds, the `i` list must be (1, 3, 1, 4, 1, 5, 2, 3, 2, 4, 2, 5), that is, it must explicitly list all the pairs to be counted.

- `type = HANDEDNESS :`

$$\text{value} = \sum_a \frac{\mathbf{u}_{a,3} \cdot [\mathbf{u}_{a,1} \times \mathbf{u}_{a,2}]}{|\mathbf{u}_{a,1}| |\mathbf{u}_{a,2}| |\mathbf{u}_{a,3}|},$$

where

$$\begin{aligned} \mathbf{u}_{a,1} &= \mathbf{r}_{a+1} - \mathbf{r}_a \\ \mathbf{u}_{a,2} &= \mathbf{r}_{a+3} - \mathbf{r}_{a+2} \\ \mathbf{u}_{a,3} &= (1 - w)(\mathbf{r}_{a+2} - \mathbf{r}_{a+1}) + w(\mathbf{r}_{a+3} - \mathbf{r}_a), \end{aligned}$$

and \mathbf{r}_a denote the positions of participating atoms. The `i` array is supposed to contain indexes of the atoms and the `r` array may provide the value of w ($0 \leq w \leq 1$, the default is zero).

- `type = N_OF_STRUCTURES :`

$$\text{value} = \sum_g \frac{1 - (R_g / R_{0,g})^6}{1 - (R_g / R_{0,g})^{12}},$$

where the sum runs over groups of atoms, R_g denotes the R_{MSD} of the group g w.r.t. some reference coordinates and $R_{0,g}$ are positive parameters measured in Å. The `i` array is expected to contain indexes of participating atoms with zeros separating different groups. The elements of the `r` array are interpreted as the reference coordinates of the first group followed by their corresponding R_0 ; then followed by the reference coordinates of the atoms of the second group, followed by the second R_0 , and so forth. To make the presentation clearer, let us consider the example presented in Fig. 4.3. The atomic groups and reference coordinates are the same as the ones shown in Fig. 4.2. Lines 7 and 11 in

4.6. Adaptively biased MD, steered MD, and umbrella sampling with REMD

```
1 variable
2   type = N_OF_STRUCTURES
3   i = (1, 2, 3, 4, 0, 3, 4, 5, 0) ! the last zero is optional
4   r = (1.0, 1.0, 1.0, ! group #1, atom 1
5         2.0, 2.0, 2.0, ! group #1, atom 2
6         3.0, 3.0, 3.0, ! group #1, atom 3
7         4.0, 4.0, 4.0, ! group #1, atom 4
8         1.0,           ! R0 for group #1
9         23.0, 23.0, 23.0, ! group #2, atom 3
10        4.0, 4.0, 4.0, ! group #2, atom 4
11        5.0, 5.0, 5.0, ! group #2, atom 5
12        2.0)           ! R0 for group #2
13 end variable
```

Figure 4.3: An example of `N_OF_STRUCTURES` variable.

Fig. 4.3 contain additional entries that set the values of the threshold distances $R_{0,1}$ and $R_{0,2}$. To compute the variable, the code first computes the mass weighted RMSD values R_1 and R_2 for both groups –much like in the `MULTI_RMSD` case– and then combines those in a manner similar to that used in the `N_OF_BONDS` variable.

$$\text{value} = \frac{1 - \left(R_1/R_{0,1}\right)^6}{1 - \left(R_1/R_{0,1}\right)^{12}} + \frac{1 - \left(R_2/R_{0,2}\right)^6}{1 - \left(R_2/R_{0,2}\right)^{12}}.$$

In other words, the variable “counts” the number of structures that match (stay close in RMSD sense) with the reference structures.

4.6.3. Steered Molecular Dynamics

The `ncsu_smd` section, if present in the `MDIN` file, activates the steered MD code (the method itself is extensively described in the literature: see for example Ref. [153] and references therein). Apart from the `variable` subsection(s), the following is recognized within this section:

- `output_file = STRING` : sets the output file name.
- `output_freq = INTEGER` : sets the output frequency (in MD steps).

There must be at least one reaction coordinate defined within this section (that is, there must be at least one `variable` subsection in the `ncsu_smd` section). The steered MD code requires that additional entries be present in the `variable` subsections:

- `path = (REAL|X, REAL|X, ..., REAL|X)` : the steering path whose elements must be either real numbers or letter `x`. The latter will be substituted by the value of the reaction coordinate at the beginning of the run. The path must include at least two elements. There is no upper limit on the number of entries. The elements define Catmull-Rom spline used for steering.

4. Sampling and free energies

- `harm = (REAL, REAL, ..., REAL)` : this variable specifies the harmonic constant. If a single number is provided, e.g., `harm = (10.0)`, then it is constant throughout the run. If two or more numbers are provided, e.g., `harm = (10.0, 20.0)`, then the harmonic constant follows Catmull-Rom spline built upon the provided values.

An example of MDIN file for steered MD is shown in Fig. 4.4. The reaction coordinate here is the distance between 5th and 9th atoms. The spring constant is set constant throughout the run in line 14 and the steering path is configured in line 13 (the letter `x` in this context means “take the value of the variable at the beginning of the run”). The values of the reaction coordinate, harmonic constant and the work performed on the system are requested to be dumped to the `smd.txt` file every 50 MD steps.

```
1 title line
2 &cntrl
3 ...
4 /
5
6 ncsu_smd
7   output_file = 'smd.txt'
8   output_freq = 50
9
10  variable
11    type = DISTANCE
12    i = (5, 9)
13    path = (X, 3.0)
14    harm = (10.0)
15  end variable
16 end ncsu_smd
```

Figure 4.4: An example MDIN file for steered MD. Only the relevant part is shown.

4.6.4. Umbrella sampling

To activate the umbrella sampling code, the `ncsu_pmd` section must be present in the MDIN file. The `ncsu_pmd` section must contain at least one `variable` subsection. Apart from `variable`, `output_file` and `output_freq` entries are recognized like in the steered MD case presented earlier. For umbrella sampling, the `variable` section(s) must contain two additional entries:

- `anchor_position = REAL` : real number that sets the position of the minimum of the umbrella (harmonic) potential.
- `anchor_strength = REAL` : non-negative real number that sets the harmonic constant for the umbrella (harmonic) potential.

An example of an MDIN file for an umbrella sampling simulation is shown in Fig. 4.5. The first reaction coordinate here is the angle formed by the lines joining the 5th with 9th with

4.6. Adaptively biased MD, steered MD, and umbrella sampling with REMD

15th atoms (line 12). It is to be harmonically restrained near 1.0 *rad* (line 13, `anchor_position` keyword) using the spring of strength 10.0 *kcal/mol/rad*² (line 14, `anchor_strength` keyword). The second reaction coordinate requested in Fig. 4.5 is a dihedral angle (`type = TORSION`, line 17) formed by the 1st, 2nd, 3rd and 4th atoms (line 18, the `i` array). It is to be restrained near zero with strength 23.8 *kcal/mol/rad*² (lines 19, 20 in Fig. 4.5). The values of the reaction coordinate(s) are to be dumped every 50 MD steps to the `pmd.txt` file.

The NCSU implementation of umbrella sampling works correctly with the Amber standard replica-exchange MD described earlier in this manual. It assumes, however, that the number and type of reaction coordinate(s) are the same in all replicas. On the other hand, both `anchor_position` and `anchor_strength` may be different for different temperatures. For replica-exchange MD the output files (set by the `output_name` keyword on a per-replica basis) are temperature bound (or MDIN-bound, since there is one-to-one temperature-MDIN correspondence).

```
1 title line
2 &cntrl
3 ...
4 /
5
6 ncsu_pmd
7   output_file = 'pmd.txt'
8   output_freq = 50
9
10  variable ! first
11    type = ANGLE
12    i = (5, 9, 15)
13    anchor_position = 1.0
14    anchor_strength = 10.0
15  end variable
16  variable # second
17    type = TORSION
18    i = (1, 2, 3, 4)
19    anchor_position = 0.0
20    anchor_strength = 23.8
21  end variable
22 end ncsu_pmd
```

Figure 4.5: An example MDIN file for umbrella sampling (only relevant part is presented in full).

4.6.5. Adaptively Biased Molecular Dynamics

The implementation has a very simple and intuitive interface: the code is activated if either an `ncsu_abmd` or an `ncsu_bbmd` section is present in the MDIN file (the difference between those “flavors” is purely technical and will become clear later). Unlike in the `ncsu_smd` and `ncsu_pmd` cases, the dimensionality of a reaction coordinate (the number of `variable` subsections in a

4. Sampling and free energies

`ncsu_abmd` or `ncsu_bbmd` section) cannot exceed five (though three is already hardly useful due to statistical reasons).

The following entries are recognized within the `ncsu_abmd` (or `ncsu_bbmd`) section:

- `mode = ANALYSIS | UMBRELLA | FLOODING` : sets the execution mode. In `ANALYSIS` mode the dynamics is not altered. The only effect of this mode is that the value(s) of the reaction coordinate(s) is(are) dumped every `monitor_freq` to `monitor_file`. In `UMBRELLA` mode, biasing potential from the `umbrella_file` is used to bias the simulation ($\tau_F = \infty$, biasing potential does not change). In `FLOODING` mode the adaptive biasing is enabled.
- `monitor_file = STRING` : sets the name of the file to which value(s) of reaction coordinate(s) (along with the magnitude of biasing potential in `FLOODING` mode) are dumped.
- `monitor_freq = INTEGER` : the frequency of the output to the `monitor_file`.
- `timescale = REAL` : τ_F , the flooding timescale in picoseconds (only required in `FLOODING` mode).
- `umbrella_file = STRING` : biasing potential file name (the file must exist for the `UMBRELLA` mode).

In `FLOODING` mode, the `variable` subsections of the `ncsu_abmd` section must also contain the following entries:

- `min = REAL` : smallest desired value of the reaction coordinate (required, unless the reaction coordinate is limited from below).
- `max = REAL` : largest desired value of the reaction coordinate (required, unless the reaction coordinate is limited from above).
- `resolution = REAL` : the “spatial” resolution for the reaction coordinate.

To access the biasing potential files created in the course of `FLOODING` simulations, the `ncsu-umbrella-slice` utility is provided (it prints a short description of itself if invoked with `--help` option).

An example `MDIN` file for the `ncsu_abmd` flavor of `ABMD` is shown in the Fig. 4.6.

The reaction coordinate is defined in lines 17, 18 as the distance between the 5th and 9th atoms (more than one reaction coordinates might be requested by mere inclusion of additional `variable` subsections). The `mode` is set to `FLOODING` thus enabling the adaptive biasing with flooding timescale $\tau_F = 100ps$ (line 14). The region of interest of the reaction coordinate is specified to be between -1\AA and 10\AA (line 19) and the resolution is set to 0.5\AA (line 20). The lower bound (-1\AA) could have been omitted for `DISTANCE` variable: the default value of zero would be used in such case. The code will try to load the biasing potential from the `umbrella.nc` file (line 12) and use it as the value of $U(t|\xi)$ at the beginning of the run. The biasing potential built in the course of simulation will be saved to the same file (`umbrella.nc`) every time the `RESTART` file is written. The `ncsu-umbrella-slice` utility can then be used to access its content. An `MDIN` file for the follow up biased run at equilibrium would look much like the one shown in the Fig. 4.6, but with `mode` changed from `FLOODING` to `UMBRELLA`.

4.6. Adaptively biased MD, steered MD, and umbrella sampling with REMD

```
1 title line
2 &cntrl
3 ...
4 /
5
6 ncsu_abmd
7   mode = FLOODING
8
9   monitor_file = 'abmd.txt'
10  monitor_freq = 33
11
12  umbrella_file = 'umbrella.nc'
13
14  timescale = 100.0 ! in ps
15
16  variable
17    type = DISTANCE
18    i = (5, 9)
19    min = -1.0 max = 10.0 ! min is not needed for DISTANCE
20    resolution = 0.5 ! required for mode = FLOODING
21  end variable
22 end ncsu_abmd
```

Figure 4.6: An example MDIN file for ABMD (only the relevant part is presented in full).

The `ncsu_abmd` code works correctly with replica-exchange (that is, for `-rem` flag set to 1). In such case the monitor and umbrella files are temperature-bound (unlike, e.g., MDOUR and MDCRD files that require post processing). If number of `sander` groups exceeds one (the flag `-ng` is greater than one) and `-rem` flag is set to zero, the code runs *multiple walkers* ABMD. In both cases the number and type(s) of variable(s) must be the same across all replicas.

Finally, the `ncsu_bbmd` flavor allows one to run replica-exchange (AB)MD with different reaction coordinates and different modes (ANALYSIS, UMBRELLA or FLOODING) in different replicas (along with different temperatures, if desired). To this end, the `-rem` flag must be set to zero and the `ncsu_bbmd` sections must be present in all MDIN files. The MDIN file for the replica of rank zero (first line in the group file) is expected to contain additional information as compared to `ncsu_abmd` case (an example of such MDIN file for replica zero is shown in Fig. 4.7). The MDIN files for all other replicas except zero do not need any additional information, and therefore take the same form as in the `ncsu_abmd` flavor (except that the section name is changed from `ncsu_abmd` to `ncsu_bbmd`, thus activating a slightly different code path). Each MDIN file may define its own reaction coordinates, have different `mode` and temperature if desired.

Within the first replica `ncsu_bbmd` section the following additional entries are recognized:

- `exchange_freq = INTEGER` : number of MD steps between the exchange attempts.
- `exchange_log_file = STRING` : the name of the file to which exchange statistics is to be reported.
- `exchange_log_freq = INTEGER` : frequency of `exchange_log_file` updates.

4. Sampling and free energies

```
1 title line
2 &cntrl
3 ...
4 /
5
6 ncsu_bbmd
7
8     ! 0th replica only
9
10    exchange_freq = 100 ! try for exchange every 100 steps
11
12    exchange_log_file = 'bbmd.log'
13    exchange_log_freq = 25
14
15    mt19937seed = 123455 ! random generator seed
16    mt19937file = 'mt19937.nc' ! file to store/load the PRG
17
18    ! not specific for 0th replica
19
20    mode = ANALYSIS
21
22    monitorfile = 'bbmd.01.txt' ! it is wise to have different
23                                ! names in different replicas
24    monitor_freq = 123
25
26    variable
27        type = DISTANCE
28        i = (5, 9)
29    end variable
30 end ncsu_bbmd
```

Figure 4.7: An example MDIN file for ncsu_bbmd flavor of ABMD (only the relevant part is presented in full).

- `mt19937_seed = INTEGER` : seed for the random generator (Mersenne twister [154]).
- `mt19937_file = STRING` : the name of the file to which the state of the Mersenne twister is dumped periodically (for restarts).

The `MDOUT`, `MDCRD`, `RESTART`, `umbrella_file` and `monitor_file` files are MDIN-bound in course of the `ncsu_bbmd`-enabled run.

4.7. Nudged elastic band calculations

4.7.1. Background

In the nudged elastic band method (NEB), [155, 156] the path for a conformational change is approximated with a series of images of the molecule describing the path. Minimization,

with the images at the endpoints fixed in space, of the total system energy provides a minimum energy path. Each image in-between is connected to the previous and next image by "springs" along the path that serve to keep each image from sliding down the energy landscape onto adjacent images. NEB derives from the plain elastic band method, pioneered by Elber and Karplus, [157] which added the spring forces to the potential of energy surface and minimized the energy of the system. The plain elastic band method found low energy paths, but tended to cut corners in the energy landscape. NEB prevents corner cutting by truncating the spring forces in directions perpendicular to the tangent of the path. Furthermore, the forces from the molecular potential are truncated along the path, so that images remain evenly spaced along the path. This leads to:

$$\begin{aligned}\mathbf{F} &= \mathbf{F}^\perp + \mathbf{F}^\parallel \\ \mathbf{F}^\perp &= -\nabla V(\mathbf{P}) + ((\nabla V(\mathbf{P}) \cdot \boldsymbol{\tau})\boldsymbol{\tau}) \\ \mathbf{F}^\parallel &= [(k_{i+1}|\mathbf{P}_{i+1} - \mathbf{P}_i| - k_i|\mathbf{P}_i - \mathbf{P}_{i-1}|) \cdot \boldsymbol{\tau}]\boldsymbol{\tau}\end{aligned}\quad (4.8)$$

where, if N is the number of atoms per image, \mathbf{F} is the force on image i , \mathbf{P}_i is the $3N$ dimensional position vector of image i , k_i is the spring constant between image $i - 1$ and image i , V is the potential described by the force field, and $\boldsymbol{\tau}$ is the $3N$ dimensional tangent unit vector that describes the path.

The simplest definition of $\boldsymbol{\tau}$ is:

$$\boldsymbol{\tau} = (\mathbf{P}_i - \mathbf{P}_{i-1})/|\mathbf{P}_i - \mathbf{P}_{i-1}| \quad (4.9)$$

This definition leads to instability in the path caused by kinks that occur where the magnitude of \mathbf{F}^\parallel is much larger than the magnitude of \mathbf{F}^\perp . A more stable tangent definition was derived to prevent kinks in the path that depends upon the energies, E , of adjacent images. [158] The spring constants can be the same between all images or they can be scaled to move the images closer together in the regions of transition states: [159]

$$\begin{aligned}If (E_i > E_{ref}) & \quad then \quad k_i = k_{max} - \Delta k(E_{max} - E_i)/(E_{max} - E_{ref}) \\ & \quad otherwise \quad k_i = k_{max} - \Delta k\end{aligned}\quad (4.10)$$

Here E_{max} is the highest energy for an image along the path, E_{ref} is the energy of the higher energy endpoint, and k_{max} and Δk are parameters with units of force per length. Because the spring force applies only in directions along the path and because the potential of the energy surface is zeroed along the path, the calculation is relatively insensitive to the magnitude of the spring constants. Care must be taken, however, to select a spring constant that does not result in higher frequency motions than those found in the system of interest. [160] At each step, before calculating the spring forces that compose \mathbf{F}^\parallel , the images, starting with the second image, are rotated and translated onto the previous image to find the RMSD minimum.

Energy minimization of the path is complicated by the fact that the forces are truncated according to the tangent direction, making it impossible to define a Lagrangian. [160] Conjugate gradient minimization, therefore, cannot be used to find the minimum energy path. An algorithm for quenched molecular dynamics has been used to find the minimum. [156] With this

4. Sampling and free energies

method, the component of the velocity parallel to the force is kept, but perpendicular components are scaled:

$$\begin{aligned} \text{If } (\mathbf{v} \cdot \mathbf{f} > 0) \quad & \text{then} \quad \mathbf{v} = (\mathbf{v} \cdot \mathbf{f})\mathbf{f} \\ & \text{otherwise} \quad \mathbf{v} = x(\mathbf{v} \cdot \mathbf{f})\mathbf{f} \end{aligned} \quad (4.11)$$

where \mathbf{f} is the 3N-dimensional unit force vector, \mathbf{v} is the 3N-dimensional velocity vector, and x is a scaling factor less than one. Recently, a super-linear minimization method was described using an adopted basis Newton-Raphson minimizer. [160]

The implementation of NEB in *sander.MPI* [161] allows minimization by simulated annealing. This requires no hypothesis for a starting path, but does require careful judgment of the temperature and length of time required to populate the minimum energy path. The initial coordinates can have multiple copies of the structure superimposed on the start and endpoints. When adjacent structures are superimposed, the tangent, τ is 0 in every direction. This case is explicitly handled so that the calculation is stable.

4.7.2. Preparing input files for NEB

The NEB capability is implemented inside *sander.MPI* because of the similarity between PIMD and NEB. Input *prmtop* and *inpcrd* files for NEB should be generated using *addles*. To use *addles* to generate a *prmtop* and *inpcrd* file suitable for NEB you need as a minimum a *prmtop* for a single image of your molecule and two *inpcrd* files representing each end of the pathway. You can build these files using *Leap*. You should then append the second *inpcrd* file to the end of the first *inpcrd* file giving you a single *inpcrd* file containing both structures. You should then use this *inpcrd* file and the single image *prmtop* file with the following *addles* script (*addles.in*), adjusted for your needs, to create your NEB *prmtop* and *inpcrd* file.

```
file rprm name=(input.prmtop) read
file rcrd name=(input.inpcrd) pack=2 read
file wprm name=(neb.prmtop) wovr
file wcrd name=(neb.inpcrd) wovr
action
  use original mass
omas
pimd
  make 20 copies of atom 1 to 22 (the whole system)
space numc=20 pick #prt 1 22 done
*EOD
```

For a full description of *addles* please refer to Section 9.2, the following are some notes for preparing NEB input files:

1. Always turn on the *pimd* tag, otherwise you may get an unexpectedly big *prmtop* file because of a huge nonbond exclusion list containing all atoms in different copies.
2. Make sure you are making copies of the whole system, since for now the PIMD implementation of *sander* is an all-or-nothing thing, meaning you can't run partial NEB simulations at present.

3. Make use of the `pack` option of `rcrd(rcvd,rcbd,rcvb)` to assign different coordinates for different copies. It is necessary for NEB that different images be assigned different configurations, that is why the option `"pack"` is added to `"rcrd"`. To use this option, the user needs to first concatenate the desired *inpcrds* together, then specify the number of coordinate sets via `"pack=n"`, *addles* will then assign coordinates to images in appropriate sized blocks. For example, if the *inpcrd* file has 4 sets of coordinates and you have 20 images. Then image 1-5 will have coordinate set 1, image 6-10 have set 2, and so on.

4.7.3. Input Variables

<code>ineb</code>	Flag for nudged elastic band. A value of 0 (default) means that no nudged elastic band will be used. A value of 1 means that a NEB simulation is being performed.
<code>skmax</code>	Spring constant or <code>kmax</code> from above (100 by default).
<code>skmin</code>	If <code>skmin = skmax</code> , a fixed spring constant is used. Otherwise, <code>skmin</code> is taken from above for scaled spring constants (50 by default).
<code>tmode</code>	If 1 (default), use the revised tangent definition that prevents kinks. For any other value, use the simple (original) tangent definition.
<code>vv</code>	If this is 1, use the quenched velocity Verlet minimization; otherwise, do not.
<code>vfac</code>	Scaling factor for quenched velocity Verlet algorithm. (0.0 by default).

4.8. Constant pH calculations

The constant pH molecular dynamics method has been implemented in *sander* by John Mongan. [162] Constant pH is limited to implicit solvent simulations. Using the constant pH method requires minor modifications to the process of generating the `prmtop` file, as well as generation of a second input file from the `prmtop` file, describing the titrating residues.

4.8.1. Background

Traditionally, molecular dynamics simulations have employed constant protonation states for titratable residues. This approach has many drawbacks. First, assigning protonation states requires knowledge of pK_a values for the protein's titratable groups. Second, if any of these pK_a values are near the solvent pH there may be no single protonation state that adequately represents the ensemble of protonation states appropriate at that pH. Finally, since protonation states are constant, this approach decouples the dynamic dependence of pK_a and protonation state on conformation.

The constant pH method implemented in *sander* addresses these issues through Monte Carlo sampling of the Boltzmann distribution of protonation states concurrent with the molecular dynamics simulation. The nature of the distribution is affected by solvent pH, which is set as an external parameter. Residue protonation states are changed by changing the partial charges on the atoms.

4. Sampling and free energies

4.8.2. Preparing a system for constant pH

Amber provides definitions for titrating side chains of ASP, GLU, HIS, LYS and TYR. See below if you need other titrating groups.

Begin by preparing your PDB file as you normally would for use with LEaP. Edit the PDB file, replacing all histidine residue names (HIS, HID, or HIE) with HIP. Change all ASP and ASH to AS4 and all GLU and GLH to GL4. This ensures that the prmtop file will have a hydrogen defined at every possible point of protonation.

Run leap, and enter the following commands:

```
source leaprc.ff99
loadAmberParams frcmod.mod_hipsi.1
set default PBRadii mbondi2
loadoff constph.lib
loadamberparams frcmod.constph
```

This loads `constph.lib`, which contains residue definitions for AS4 and GL4 (aspartate and glutamate residues with syn and anti hydrogens on each carboxyl oxygen), and `frcmod.constph` which defines improper torsions to keep the syn and anti protons on AS4 and GL4 from rotating into the same position. Now load your edited PDB file and proceed as usual to create the prmtop and prmcrd files.

Once you have the prmtop file, you need to generate a cpin file. The cpin file describes which residues should titrate, and defines the possible protonation states and their relative energies. A perl script, `cpinutil.pl`, is provided to generate this file. It takes a PDB file as input, either on the command line or on STDIN, and writes the cpin file to STDOUT. Note that you *must* generate this PDB file from the prmtop file; do not use your original PDB file. Since LEaP has inserted extra hydrogens, the atom numbering in your original PDB file will not correspond to the prmtop file. Here is an example of generating the PDB file and using it to create the cpin file in a single step:

```
ambpdb -p prmtop < prmcrd | cpinutil.pl > cpin
```

The `cpinutil.pl` program accepts a number of flags that modify its behavior. By default, all residues start in protonation state 0: deprotonated for ASP and GLU, protonated for LYS and TYR, doubly protonated for HIS (i.e. HIP). Initial protonation states can be specified using the `-states` flag followed by a comma delimited list of initial protonation states (see below for more about protonation state definitions) as follows:

```
ambpdb -p prmtop < prmcrd | cpinutil.pl -states 1,3,0,0,0,1 > cpin
```

The `-system` flag can be used to provide a name for the titrating system. If experimental pKa values have been defined for the system (see below), they will be written into the cpin file. Note that experimental pKa values are used only by the analysis scripts to calculate pKa prediction error; they are not used in any way by *sander* and do not need to be included.

```
ambpdb -p prmtop < prmcrd | cpinutil.pl -system HEWL > cpin
```

A number of flags are available for filtering which residues are included in the cpin file. All residues in the cpin file, and only the residues in the cpin file, will be titrated. In general it is safe to exclude TYR and LYS for acidic simulations and GL4 and AS4 for basic simulations. HIP should be included in all except very acidic simulations. Note that there is currently no support for titrating N or C terminal residues. If you have an N or C terminal residue with a titratable sidechain, you should explicitly exclude it from the cpin file. The `-resnum` flag may be used to specify which residue numbers should be retained; all others are deleted. Conversely, the `-notresnum` flag can be used to specify which residue numbers are deleted; all others are retained. Residue number refers to the numbering in the PDB file, not the index number among titrating residues. Similarly, `-resname` and `-notresname` can be used to filter by residue type. For instance, `-notresname TYR,LYS` would eliminate basic residues from the cpin file. If experimental pKa values are known through use of the `-system` flag, the `-minpka` and `-maxpka` flags can be used to filter residues by experimental pK a values.

`cpinutil.pl` can also take an existing cpin file as input, allowing modification or further filtering of existing cpin files. See `cpinutil.pl -h` for a summary of options and flags.

4.8.3. Running at constant pH

Running constant pH under *sander* has few differences from normal operation. In the mdin file, you must set `icnstph=1` to turn on constant pH. `solvph` is used to set the solvent pH value. You must also specify the period for Monte Carlo steps, `ntcnstph` (for period *n*, a Monte Carlo step is performed every *n* steps). Note that only one residue is examined on each step, so you should decrease the step period as the number of titrating residues increases to maintain a constant effective step period for each residue. We have seen good results with fairly short periods, in the neighborhood of 100 fs effective period for each residue (e.g. `ntcnstph=5, dt=0.002` with about 10 residues titrating).

In order to avoid having to calculate non-electrostatic contributions to protonation state transition energies, this method uses correction factors based on the relative energy differences of the different protonation states in the Amber force field. These relative energies were calculated under the following parameters:

```
cut=30.0, scee=1.2, igb=2, saltcon=0.1,
ntb=0, dt=0.002, nrespa=1,
ntt=1, tempi=300.0, temp0 = 300., tautp=2.0,
ntc=2, ntf=2, tol=0.000001,
```

Deviations from these parameters, or from the force field or GB radii specified above may affect the relative energies of the protonation states, which will cause erroneous results. If you must deviate from these settings, you can test whether your changes will cause problems by running long (multiple ns) titrations of the model compounds, with solvent pH equal to the model compound pKa value. The model compounds are ACE-X-NME, where X is AS4, GL4, HIP, LYS or TYR. If these titrations predict the model pKa value (4.0, 4.4, 6.5, 10.4 and 9.6, respectively), then the parameter set is probably OK. If not, you must either change the parameter set or recalculate the relative energies (see section below).

Some additional command line flags have been added to *sander* to support constant pH operation. The cpin file must be specified using the `-cpin` option. Additionally, a history of the protonation states sampled is written to the filename specified by `-cpout`. Finally, a constant

4. Sampling and free energies

pH restart file is written to the filename specified by `-cprestrt`. This is used to ensure that titrating residues retain the same protonation state across restarts. The constant pH restart file is a `cpin-format` file, and should be used as the `cpin` file when restarting the run. It will generally be longer than the original `cpin` file, as it contains some amount of zeroed data, due to limitations in the Fortran namelist implementation. The excess zero data can be removed by filtering it through `cpinutil.pl`, e.g.

```
cpinutil.pl cprestrt > cpin2
```

4.8.4. Analyzing constant pH simulations

As the simulation progresses, the protonation states that are sampled are written to the `cpout` file. A section of a `cpout` file is included here:

```
Solvent pH: 2.00000
Monte Carlo step size: 2
Time step: 0
Time: 0.000
Residue 0 State: 1
Residue 1 State: 0
Residue 2 State: 1
Residue 3 State: 0
Residue 4 State: 1
Residue 5 State: 0
Residue 2 State: 0
Residue 4 State: 0
Residue 0 State: 3
Residue 1 State: 0
Residue 0 State: 0
```

One record is written on each Monte Carlo step. Each record is terminated by a blank line. There are two types of records, full records (at the top of the file) and delta records (single lines, remainder of file). Full records are written before the run begins, on timesteps where restart files are written, and on the final time step (assuming these are Monte Carlo steps); delta records are written in all other cases. The full record specifies the protonation state of each residue, along with some additional information, while the delta records give only the protonation state for the residue selected on the corresponding Monte Carlo step. Note that in some cases, the protonation state for a delta record may be the same as that in an earlier record: this indicates that the Monte Carlo protonation move was rejected. The residue numbers in `cpout` are indices over the titrating residues included in the `cpin` file; `cpout` must be analyzed in conjunction with `cpin` to map these indices back to the original system.

The Perl script `calcpka.pl` is provided as an example parser for the `cpout` format, and as a utility for calculating predicted pK_a values from `cpout` files. It takes a `cpin` file as its first argument and any number of `cpout` files for its remaining arguments. For instance:

```
calcpka.pl cpin cpout1 cpout2 cpout3
```

- Output contains one line for each titrating residue in the system:

- Offset* is the difference between the predicted pK_a and the system pH.
- Pred* is the predicted pK_a. Note that predictions are calculated assuming Henderson-Hasselbalch titration curves. Predictions are most accurate when the absolute value of the offset is less than 2.0. If experimental pK_a values have been defined for the system (see following), then experimental and error values are also printed.
- Frac Prot* is the fraction of time the residue spends protonated and
- Transitions* gives the number of accepted protonation state transitions. Note that transitions between states with the same total protonation (e.g. *syn* and *anti* protonated states of a carboxylic acid) are not included in this total.
- Average total molecular protonation* is the sum of the fractional protonations. It ranges between zero and the number of titrating residues, and gives the average protonation of the molecule as a whole.

4.8.5. Extending constant pH to additional titratable groups

There are two major components to defining a new titrating group for constant pH. First you must define the partial charges for each atom in the residue for each protonation state. Then you must set the relative energies of each state.

Defining charge sets

Partial charges are most easily calculated using Antechamber and Gaussian. You must set up a model to calculate charges for each protonation state. If the titrating group you are defining is a polymer subunit (e.g. amino acid residue), you must adjust the charges on atoms that have bonded interactions (including 1-4) with atoms in neighboring residues. The charges on these atoms must be changed so they are constant across all protonation states - otherwise relative energies of protonation states become sequence dependent. For an amino acid, this means that all backbone atoms must have constant charges. For the residues defined here, we arbitrarily selected the backbone charges of the protonated state to be used across all protonation states. The total charge difference between states should remain 1; we achieved this by adjusting the charge on the beta carbon.

Calculating relative energies

Relative energies are used to calibrate the method such that when a model compound is titrated at pH equal to its pK_a, the energies (and thus populations) of the protonated and deprotonated states are equal. Relative energies of the different protonation states are calculated using thermodynamic integration of a model compound between the charge sets defined for the different protonation states. The model compound should be a small molecule that mimics the bonded environment of the titratable group of interest, and for which experimental pK_a data are available. For instance, the model compound for an amino acid X is generally ACE-X-NME; the model compound for a ligand might be the free ligand. The thermodynamic integration calculations must be performed using exactly the same parameters and force field as you plan to use in your constant pH simulations. Once the relative energies of the states are calculated

4. Sampling and free energies

by thermodynamic integration, the energy difference must be adjusted to account for the pK_a: the energy of the more protonated states should be increased by $pK_a RT \ln(10)$.

For example suppose one were developing a model for an artificial amino acid, ART, with pK_a 3.5 and two protonation states: ARP, having one proton and ARD having zero protons. After calculating partial charges as above, you would construct a model compound having the sequence ACE-ARP-NME and generate a prmtop file where the ARP charges were perturbed to the ARD values. You would then use sander to perform thermodynamic integration between ARP and ARD. Suppose that this showed that the energy of ARD relative to ARP was -6.3 kcal/mol. You would assign a relative energy of -6.3 to ARD and a relative energy of $3.5RT \ln(10)$ to ARP.

Testing the titratable group definitions

Prior to large scale use of your new titratable group definition, it's a good idea to test it by performing a constant pH simulation on your model compound, with pH set to the model pK_a. Doing this requires generation of a cpin file, so this is a good point to modify the table of titratable group definitions used by *cpinutil.pl*. These tables are found near the end of CPin.pm. The table is a perl hash of 2D arrays. Each hash entry is an array of states that define a titratable group. Each state array consists of the relative energy, the relative protonation, and the partial charges for the state, in that order. An entry for the example given above might look like (charge list shortened for brevity):

```
"ARP" => [
  # State 0, ARP
  [3.5 * 1.3818, # Relative energy (300K)
  1, # Relative protonation
  -0.4157, 0.2719, -0.0014, 0.0876, -0.0152, 0.0295, ],
  # State 1, ARD
  [-6.3, # Energy
  0, # Protonation
  -0.4157, 0.2719, -0.0014, 0.0876, -0.0858, 0.019, ]
]
```

Below this table is another table of experimental pK_a values. Entries for new systems can be created following the example already present for HEWL (the keys are residue numbers, the values are their pK_a values). As discussed above, this is optional and does not affect the constant pH simulations - these data are used only by *calcpka.pl* and *cpinutil.pl*.

Having added your titratable group definition to the table, you should be able to prepare a cpin file as described above, run your simulation and calculate the predicted pK_a using *calcpka.pl*. Since the model compound is usually very small, runs of tens of nanoseconds are easily accessible for these tests. In general, the run to run variation of predicted pK_a values is a few hundredths of a pK_a unit for long runs with pH near pK_a. In most cases, the thermodynamic integration procedure described above yields acceptable results, but if your predicted pK_a differs significantly from the model pK_a, you may want to adjust your relative energies, regenerate your cpin file and rerun the test until you achieve good predictions.

4.9. Low-MODE (LMOD) methods

István Kolossváry's LMOD methods for minimization, conformational searching, and flexible docking [163–166] are now fully implemented in AMBER. The centerpiece of LMOD is a conformational search algorithm based on eigenvector following of low frequency vibrational modes. It has been applied to a spectrum of computational chemistry domains including protein loop optimization and flexible active site docking. The search method is implemented without explicit computation of a Hessian matrix and with gradient evaluations via the Arnoldi package (ARPACK), <http://www.caam.rice.edu/software/ARPACK/>.

4.9.1. LMOD conformational searching and flexible docking

The LMOD conformational search procedure is based on gentle, but very effective structural perturbations applied to molecular systems in order to explore their conformational space. LMOD perturbations are derived from low-frequency vibrational modes representing large-amplitude, concerted atomic movements. Unlike essential dynamics where such low modes are derived from long molecular dynamics simulations, LMOD calculates the modes directly and utilizes them to improve Monte Carlo sampling.

LMOD has been developed primarily for macromolecules, with its main focus on protein loop optimization. However, it can be applied to any kind of molecular system, including complexes and flexible docking where it has found widespread use. The LMOD procedure starts with an initial molecular model, which is energy minimized. The minimized structure is then subjected to an ARPACK calculation to find a user-specified number of low-mode eigenvectors of the Hessian matrix. The Hessian matrix is never computed; ARPACK makes only implicit reference to it through its product with a series of vectors. Hv , where v is an arbitrary unit vector, is calculated via a finite-difference formula as follows,

$$Hv = [\nabla(x_{min} + h) - \nabla(x_{min})] / h$$

where x_{min} is the coordinate vector at the energy minimized conformation and h denotes machine precision. The computational cost of Eq. 1 requires a single gradient calculation at the energy minimum point and one additional gradient calculation for each new vector. Note that ∇x is never 0, because minimization is stopped at a finite gradient RMS, which is typically set to 0.1–1.0 kcal/mol-Å in most calculations.

The low-mode eigenvectors of the Hessian matrix are stored and can be re-used throughout the LMOD search. Note that although ARPACK is very fast in relative terms, a single ARPACK calculation may take several hours on an absolute CPU time scale. Therefore, it would be impractical to recalculate the low-mode eigenvectors for each new structure. Visual inspection of the low-frequency vibrational modes of different, randomly generated conformations of protein molecules showed very similar, collective motions clearly suggesting that low modes of one particular conformation were transferable to other conformations for LMOD use. This important finding implies that the time limiting factor in LMOD is energy minimization, not the eigenvector calculation.

4. Sampling and free energies

4.9.2. LMOD Procedure

Given the energy-minimized structure of an initial protein model, protein-ligand complex, or any other molecular system and its low-mode Hessian eigenvectors, LMOD proceeds as follows. For each of the first n low-modes repeat steps 1-3 until convergence:

1. Perturb the energy-minimized starting structure by moving along the i th ($i = 1-n$) Hessian eigenvector in either of the two opposite directions to a certain distance. The $3N$ -dimensional (N is equal to the number of atoms) travel distance along the eigenvector is scaled to move the fastest moving atom of the selected mode in 3-dimensional space to a randomly chosen distance between a user-specified minimum and maximum value.

Note: A single LMOD move inherently involves excessive bond stretching and bond angle bending in Cartesian space. Therefore the primarily torsional trajectory drawn by the low modes of vibration on the PES is severely contaminated by this naive, linear approximation and, therefore, the actual Cartesian LMOD trajectory often misses its target by climbing walls rather than crossing over into neighboring valleys at not too high altitudes. The current implementation of LMOD employs a so-called ZIG-ZAG algorithm, which consists of a series of alternating short LMOD moves along the low-mode eigenvector (ZIG) followed by a few steps of minimization (ZAG), which has been found to relax excessive stretches and bends more than reversing the torsional move. Therefore, it is expected that such a ZIG-ZAG trajectory will eventually be dominated by concerted torsional movements and will carry the molecule over the energy barrier in a way that is not too different from finding a saddle point and crossing over into the next valley like passing through a mountain pass.

Barrier crossing check: The LMOD algorithm checks barrier crossing by evaluating the following criterion: IF the current endpoint of the zigzag trajectory is lower than the energy of the starting structure, OR, the endpoint is at least lower than it was in the previous ZIG-ZAG iteration step AND the molecule has also moved farther away from the starting structure in terms of all-atom superposition RMS than at the previous position THEN it is assumed that the LMOD ZIG-ZAG trajectory has crossed an energy barrier.

2. Energy-minimize the perturbed structure at the endpoint of the ZIG-ZAG trajectory.
3. Save the new minimum-energy structure and return to step 1. Note that LMOD saves only low-energy structures within a user-specified energy window above the then current global minimum of the ongoing search.

After exploring the modes of a single structure, LMOD goes on to the next starting structure, which is selected from the set of previously found low-energy structures. The selection is based on either the Metropolis criterion, or simply the than lowest energy structure is used. LMOD terminates when the user-defined number of steps has been completed or when the user-defined number of low-energy conformations has been collected.

Note that for flexible docking calculations LMOD applies explicit translations and rotations of the ligand(s) on top of the low-mode perturbations.

4.9.3. XMIN

The XMIN methods for minimization are traditional and manifold in the field of unconstrained optimization: PRCG is a Polak-Ribiere nonlinear Conjugate Gradient algorithm, [167] LBFGS is a Limited-memory Broyden-Fletcher-Goldfarb-Shanno quasi-Newton algorithm, [168] and TNCG is a Truncated Newton linear Conjugate Gradient method with optional LBFGS preconditioning. [169]

Some of the `&cntrl` namelist variables that control AMBER's other minimization facilities also control XMIN. Consequently, non-experts can employ the default XMIN method merely by specifying `ntmin = 3`.

`maxcyc` The maximum number of cycles of minimization. Default is 1 to be consistent with AMBER's other minimization facilities although it may be unrealistically short.

`ntmin` The flag for the method of minimization.

= 3 The XMIN method is used.

= 4 The LMOD method is used. The LMOD procedure employs XMIN for energy relaxation and minimization.

`drms` The convergence criterion for the energy gradient: minimization will halt when the root-mean-square of the Cartesian elements of the gradient is less than DRMS. Default is $1.0\text{E-}4$ kcal/mole Å to be consistent with AMBER's other minimization facilities although it may be unrealistically strict.

Other options that control XMIN are in the scope of the `&lmod` namelist. These parameters enable expert control of XMIN.

`lbfgs_memory_depth` The depth of the LBFGS memory for LBFGS minimization, or LBFGS preconditioning in TNCG minimization. Default is 3. Suggested alternate value is 5. The value 0 turns off LBFGS preconditioning in TNCG minimization.

`matrix_vector_product_method` The finite difference H_v matrix-vector product method: "forward" = forward difference, "central" = central difference. Default is forward difference.

`xmin_method` The minimization method: "PRCG" = Polak-Ribiere Conjugate Gradient, "LBFGS" = Limited-memory Broyden-Fletcher-Goldfarb-Shanno, and "TNCG" = Optionally LBFGS-preconditioned Truncated Newton Conjugate Gradient. Default is LBFGS.

`xmin_verbosity` The verbosity of the internal status output from the XMIN package: 0 = none, 1 = minimization details, and 2 = minimization and line search details plus CG details in TNCG. Currently, the XMIN status output may be disordered with respect to AMBER's output. Default is 0, no output of the XMIN package internal status. Note that XMIN is also available in Amber Tools, in the NAB package. An annotated example output corresponding to `XMIN_VERBOSITY=2` can be found in the NAB documentation.

4. Sampling and free energies

4.9.4. LMOD

Some of the options that control LMOD have the same names as AMBER's other minimization facilities. See the XMIN section immediately above. Other options that control LMOD are in the scope of the &lmod namelist. These parameters enable expert control of LMOD.

arnoldi_dimension The dimension of the ARPACK Arnoldi factorization. Zero specifies the whole space, that is, three times the number of atoms. Default is 0, the whole space. Basically, the ARPACK package used for the eigenvector calculations solves multiple "small" eigenvalue problems instead of a single "large" problem, which is the diagonalization of the three times the number of atoms by three times the number of atoms Hessian matrix. This parameter is the user specified dimension of the "small" problem. The allowed range is $\text{total_low_modes} + 1 \leq \text{arnoldi_dimension} \leq$ three times the number of atoms. The default means that the "small" problem and the "large" problem are identical. This is the preferred, i.e., fastest, calculation for small to medium size systems, because ARPACK is guaranteed to converge in a single iteration. The ARPACK calculation scales with three times the number of atoms times the arnoldi_dimension squared and, therefore, for larger molecules there is an optimal arnoldi_dimension much less than three times the number of atoms that converges much faster in multiple iterations (possibly thousands or tens of thousands of iterations). The key to good performance is to select an arnoldi_dimension such that all the ARPACK storage fits in memory. For proteins, arnoldi_dimension=1000 is generally a good value, but often a very small 50-100 Arnoldi dimension provides the fastest net computational cost with very many iterations.

conflib_filename The user-given filename of the LMOD conformational library. The file format is standard AMBER trajectory file. The conformations are stored in energetic order (global minimum energy structure first), the number of conformations \leq conflib_size. The default filename is *conflib*.

conflib_size The number of conformations to store in conflib. Default is 3.

energy_window The energy window for conformation storage; the energy of a stored structure will be in the interval $[\text{global_min}, \text{global_min} + \text{energy_window}]$. Default is 0, only storage of the global minimum structure.

explored_low_modes The number of low frequency vibrational modes used per LMOD iteration. Default is 3.

frequency_eigenvector_recalc The frequency, measured in LMOD iterations, of the recalculation of eigenvectors. Default is 3.

frequency_ligand_rottrans The frequency, measured in LMOD iterations, of the application of rigid-body rotational and translational motions to the ligand(s). At each frequency_ligand_rottrans LMOD iteration number_ligand_rottrans rotations and translations are applied to the ligand(s). Default is 1, ligand(s) are rotated and translated at every LMOD iteration.

- `lmod_job_title` The user-given title for the job that goes in the first line of the `conflib` and `lmod_trajectory` files. The default job title is "job_title_goes_here".
- `lmod_minimize_grms` The gradient RMS convergence criterion of structure minimization. Default is 0.1.
- `lmod_relax_grms` The gradient RMS convergence criterion of structure relaxation. Default is 1.0.
- `lmod_restart_frequency` The frequency, in LMOD iterations, of `conflib` updating and LMOD restarting with a randomly chosen structure from the pool. Default is 5.
- `lmod_step_size_max` The maximum length of a single LMOD ZIG move. Default is 5.0 Å.
- `lmod_step_size_min` The minimum length of a single LMOD ZIG move. Default is 2.0 Å.
- `lmod_trajectory_filename` The filename of the LMOD pseudo trajectory. The file format is standard AMBER trajectory file. The conformations in this file show the progress of the LMOD search. The number of conformations = `number_lmod_iterations` + 1. The default filename is `lmod_trajectory`.
- `lmod_verbosity` The verbosity of the internal status output from the LMOD package: 0 = none, 1 = some details, 2 = more details, 3 = everything including ARPACK information. Currently, the LMOD status output may be disordered with respect to AMBER's output. Default is 0, no output of the LMOD package internal status. Note that LMOD is also available in Amber Tools, in the NAB package. An annotated example output corresponding to `LMOD_VERBOSITY=2` can be found in the NAB documentation.
- `monte_carlo_method` The Monte Carlo method: "Metropolis" = Metropolis Monte Carlo, "Total_Quench" = the LMOD trajectory always proceeds towards the lowest lying neighbor of a particular energy well found after exhaustive search along all of the low modes, and "Quick_Quench" = the LMOD trajectory proceeds towards the first neighbor found, which is lower in energy than the current point on the path, without exploring the remaining modes. Default is Metropolis Monte Carlo.
- `number_free_rotans_modes` The number of rotational and translational degrees of freedom. This is related to the number of frozen or tethered atoms in the system: 0 atoms dof=6, 1 atom dof=3, 2 atoms dof=1, >=3 atoms dof=0. Default is 6, no frozen atoms.
- `number_ligand_rotans` The number of rigid-body rotational and translational motions applied to the ligand(s). Such applications occur at each `frequency_ligand_rotans`-th LMOD iteration. Default is 0, no rigid-body motions applied to the ligand(s).
- `number_ligands` The number of ligands for flexible docking. Default is 0, no ligand(s).
- `number_lmod_iterations` The number of LMOD iterations. Default is 10. Note that setting `number_lmod_iterations = 0` will result in a single energy minimization.

4. Sampling and free energies

number_lmod_moves The number of LMOD ZIG-ZAG moves. Zero means that the number of ZIG-ZAG moves is not pre-defined, instead LMOD will attempt to cross the barrier in as many ZIG-ZAG moves as it is necessary. The criterion of crossing an energy barrier is stated above in the "LMOD Procedure" background section. **number_lmod_moves** > 0 means that multiple barriers may be crossed and LMOD can carry the molecule to a large distance on the potential energy surface without severely distorting the geometry. Default is 0, LMOD will determine automatically where to stop the ZIG-ZAG sequence.

random_seed The seed of the random number generator. Default is 314159.

restart_pool_size The size of the pool of lowest-energy structures to be used for restarting. Default is 3.

rtemperature The value of RT in AMBER energy units. This is utilized in the Metropolis criterion. Default is 1.5.

total_low_modes The total number of low frequency vibrational modes to be used. Default is the minimum of 10 and three times the number of atoms minus the number of rotational and translational degrees of freedom (**number_free_rotrans_modes**).

The following commands are part of the `&lmod` namelist. These commands control the way LMOD applies explicit translations and rotations to one or more ligands and take effect only if **number_ligands** >= 1. All commands are lists in square brackets, separated by commas such as [1, 33, 198], however, the list is read by Sander as a string and, therefore, it should be enclosed in single quotes.

ligstart_list, **ligend_list** The serial number(s) of the first/last atom(s) of the ligand(s). Type integer. The number(s) should correspond to the numbering in the AMBER input files `prmtop` and `inpcrd/restart`. For example, if there is only one ligand and it starts at atom 193, the command should be `ligstart_list = '[193]'`. If there are three ligands, the command should be, e.g., `'[193, 244, 1435]'`. The same format holds for all of the following commands. Note that the ligand(s) can be anywhere in the atom list, however, a single ligand must have continuous numbering between the corresponding **ligstart_list** and **ligend_list** values. For example, `ligstart_list = '[193, 244, 1435]'` and `ligend_list = '[217, 302, 1473]'`.

ligcent_list The serial number(s) of the atom(s) of the ligand(s), which serves as the center of rotation. Type integer. The value zero means that the center of rotation will be the geometric center of gravity of the ligand.

rotmin_list, **rotmax_list** The range of random rotation of a particular ligand about the origin defined by the corresponding **ligcent_list** value is specified by the commands **rotmin_list** and **rotmax_list**. The angle is given in +/- degrees. Type float. For example, in case of a single ligand and `ligcent_list = '[0]'`, `rotmin_list = '[30.0]'` and `rotmax_list = '[180.0]'` means that random rotations by an angle +/- 30-180 degrees about the center of gravity of the ligand, will be applied. Similarly, with `number_ligands = 2`, `ligcent_list = '[120.0]'` means that the first ligand will be rotated like in the single ligand example in this paragraph, but a second ligand will be rotated about its atom number 201, by an angle +/- 60-120 degrees.

trmin_list, trmax_list The range of random translation(s) of ligand(s) is defined by the same way as rotation. For example, with number_ligand = 1, trmin_list = '[0.1]' and trmax_list = '[1.0]' means that a single ligand is translated in a random direction by a random distance between 0.1 and 1.0 Angstroms.

4.9.5. Tricks of the trade of running LMOD searches

1. (1) The AMBER atom types HO, HW, and ho all have zero van der Waals parameters in all of the AMBER (and some other) force fields. Corresponding Aij and Bij coefficients in the prmtop file are set to zero. This means there is no repulsive wall to prevent two oppositely charged atoms, one being of type HO, HW or ho, to fuse as a result of the ever decreasing electrostatic energy as they come closer and closer to each other. This potential problem is circumvented in molecular dynamics simulations in ways that are incompatible with LMOD. Therefore, before running an LMOD simulation, the prmtop file (let's call it prmtop.in) must be processed by running `$AMBERHOME/exe/lmodprmtop prmtop.in prmtop.out`. This script will replace all the repulsive Aij coefficients set to zero in the prmtop file with a high value of 1e03 in order to re-create the van der Waals wall. It is understood that this procedure is parameter fudging, however, note that the primary goal of using LMOD is the quick generation of approximate, low-energy structure that can be further refined by high-accuracy MD.
2. (2) AMBER uses atom-based, abrupt cut-offs for computing non-bonded interactions. MD integrators in AMBER are rather tolerant to the resulting discontinuities (using NSNB >> 1), but LMOD is not. LMOD requires that the potential surface is continuous everywhere to a great degree. Currently, there are two ways of achieving a smooth LMOD run in this respect. (a) When using a vacuum calculation set CUT to a large enough value that corresponds to infinite cut-off and never do a non-bonded update (e.g., NSNB=999999). It does make sense to run quick and dirty LMOD searches in vacuo to generate low-energy starting structures for MD runs. (b) For large structures where infinite cut-off is prohibitive use CUT = 15 and IGB = 2. This combination seems to be smooth enough for LMOD. Even larger cut-offs can further help. Note that the most likely symptom of discontinuities causing a problem is when sander is grabbing CPU time, but the LMOD search does not seem to progress. This is the result of NaN's that often can be seen when LMOD_VERBOSITY is set to > 0.
3. (3) LMOD is NOT INTENDED to be used with explicit water models and periodic boundary conditions. Always set NTB = 0. Although explicit-water solvation is not recommended, LMOD docking can be readily used with crystallographic water molecules as ligands.
4. (4) Conformations in the conffib and lmod_trajectory files can have very different orientations. One trick to keep them in a common orientation is to restrain the position of, e.g., a single benzene ring. This will ensure that the molecule cannot be translated or rotated as a whole. However, when applying this trick you should set NUMBER_FREE_ROTTRANS_MODES = 0. See the example in the vancomycin_lmod_dock test.

4. *Sampling and free energies*

5. (5) The restart file of an LMOD run will always contain the global minimum structure found during the search. If `number_lmod_iterations` is set to zero, a single energy minimization is performed and the minimized structure is written to the restart file.
6. (6) Flexible docking of a protein-ligand system should normally be done with most of the protein molecule restrained. The ligand(s), the active site and an additional shell of residues should be allowed to move freely, but the rest of the protein should be restrained with the `NTR`, `RESTRAINT_WT`, and `RESTRAINTMASK` commands, see 3.6.4. DO NOT use the `IBELLY` option.

5. Quantum dynamics

5.1. Path-Integral Molecular Dynamics

5.1.1. General theory

Based on Feynman's formulation of quantum statistical mechanics in terms of path-integrals, Path-Integral Molecular Dynamics (PIMD) is a computationally efficient method for calculating equilibrium (e.g., thermodynamic and structural) properties of a quantum many-body system. In the following we will briefly illustrate the basic principles, and we will derive the fundamental equations underlying its implementation using standard molecular dynamics methods. We strongly recommend the user to consult the relevant literature for a more rigorous description [93–95].

For sake of simplicity, we restrict ourselves to a PIMD formulation of the canonical (NVT) ensemble, and we will consider a single quantum particle of mass m , with momentum p and coordinate x , which moves in a one-dimensional potential $v(x)$. Generalization to other ensembles and/or multidimensional many-particle systems is straightforward.

In the NVT ensemble, the canonical partition function Z is expressed as

$$Z = \sum_i e^{-\beta E_i} \quad (5.1)$$

where $\beta = 1/k_B T$, and the corresponding density matrix is defined as

$$\rho = \frac{e^{-\beta E_i}}{Z} \quad (5.2)$$

The expectation value of any operator A can thus be computed as

$$\langle A \rangle = \text{Tr}(\rho A) = \frac{1}{Z} \text{Tr}(A e^{-\beta H}) \quad (5.3)$$

with H being the Hamiltonian for the one-dimensional system:

$$H = \frac{p^2}{2m} + v(x) = T + V \quad (5.4)$$

In Eq. (5.4) T and V are the kinetic and potential operators, respectively. Using the coordinate basis set $\{|x\rangle\}$, the canonical partition function can be computed as

$$Z = \int dx \langle x | e^{-\beta H} | x \rangle = \int dx \langle x | e^{-\beta(T+V)} | x \rangle \quad (5.5)$$

In general T and V do not commute, i.e. $[T, V] \neq 0$, and consequently $e^{-\beta(T+V)}$ cannot be calculated directly. However, using the Trotter formula [170] it is possible to demonstrate that

5. Quantum dynamics

$$Z = \lim_{P \rightarrow \infty} \int dx \langle x | \left(e^{-\frac{\beta V}{2P}} e^{-\frac{\beta A}{P}} e^{-\frac{\beta V}{2P}} \right)^P | x \rangle \quad (5.6)$$

After some algebra and using the completeness of the coordinate basis, the quantum canonical partition function can be written as

$$Z = \lim_{P \rightarrow \infty} \int dx_1 dx_2 \dots dx_P \left(\frac{mP}{\hbar^2 \beta} \right)^{\frac{P}{2}} e^{-\sum_{i=1}^P \left[\frac{mP}{\beta \hbar^2} (x_{i+1} - x_i)^2 + \frac{\beta}{P} v(x_i) \right]}_{x_{P+1}=x_1} \quad (5.7)$$

Defining a "chain" frequency $\omega_P = \frac{\sqrt{P}}{\beta \hbar}$ and an effective potential as

$$U_{eff}(x_1, \dots, x_P) = \sum_{i=1}^P \left[\frac{1}{2} m \omega_P^2 (x_{i+1} - x_i)^2 + \frac{\beta}{P} v(x_i) \right]_{x_{P+1}=x_1} \quad (5.8)$$

the canonical partition function is finally expressed as

$$Z = \lim_{P \rightarrow \infty} \int dx_1 dx_2 \dots dx_P \left(\frac{mP}{\hbar^2 \beta} \right)^{\frac{P}{2}} e^{-\beta U_{eff}(x_1, \dots, x_P)} \quad (5.9)$$

In this form, the quantum partition function is isomorphic with a classical configurational partition function for a P -particle systems, where the P particles (generally referred to as "beads") are discrete points along a cyclic path [171]. Each bead is coupled to its nearest neighbors by harmonic springs with frequency ω_P , and is subject to the external potential $v(x)$. It is possible to make the connection between the quantum partition function and a fictitious classical P -particle system even more manifest by introducing a set of P Gaussian integrals:

$$Z = \lim_{P \rightarrow \infty} \Lambda \int dp_1 dp_2 \dots dp_P \int dx_1 dx_2 \dots dx_P \left(\frac{mP}{\hbar^2 \beta} \right)^{\frac{P}{2}} e^{-\beta \left[\sum_{i=1}^P \frac{p_i^2}{2\mu_i} + U_{eff}(x_1, \dots, x_P) \right]} \quad (5.10)$$

The new Gaussian variables are regarded as fictitious classical "momenta" and, consequently, the constants μ_i have units of mass and are generally referred to as fictitious masses. Since these Gaussian integrals are uncoupled and can be calculated analytically, the overall constant Λ can be chosen so as to reproduce the correct prefactor. Therefore, one has complete freedom to choose μ_i .

>From Eq. (5.5) it follows that the quantum partition function can be evaluated using classical molecular dynamics based on equations of motion derived from a fictitious classical Hamiltonian of the form

$$H(p, x) = \sum_{i=1}^P \frac{p_i^2}{2\mu_i} + U_{eff}(x_1, \dots, x_P) \quad (5.11)$$

However, ordinary MD generates a microcanonical distribution of H , i.e., a distribution function of the form $\delta(H(p, x) - E)$, where E is the conserved energy. This is clearly not the form appearing in the quantum partition function that requires a canonical distribution of the form $e^{\beta H}$. In order to satisfy this condition, the system has to be coupled to a thermostat which guarantees that the canonical distribution is rigorously obtained.

As shown above, the exact quantum partition function is obtained in the limit of an infinite number of beads P . In practice this is obviously not possible, and therefore P must be chosen large enough that all thermodynamic properties are converged. Since P is directly related to the quantum nature of the system under consideration, a larger number of beads is necessary for systems containing light atoms (e.g., hydrogen and deuterium) and for simulations at low temperatures.

Two different implementations of PIMD are currently available in Amber. The first one corresponds to the so-called primitive approximation (PRIMPIMD) [172] which is directly obtained from the formulation provided above with the fictitious mass of each bead chosen as $\mu_i = m/P$, where m is the particle mass. In PRIMPIMD, the canonical distribution is obtained by either using a Langevin thermostat or Nosé-Hoover chains of thermostats coupled to each degree of freedom of the system according to the algorithm of Ref. [173]. The latter is the recommended option. The second implementation, which is called Normal Mode Path-Integral Molecular Dynamics (NMPIMD) [174], makes use of a normal mode transformation that uncouples the harmonic term in Eq. (5.8). As a consequence the fictitious masses are different. In the current implementation of NMPIMD, the canonical distribution is obtained by using Nosé-Hoover chains of thermostats coupled to each degree of freedom of the system. We note here that NMPIMD is preferred over PRIMPIMD because it guarantees a more efficient sampling of the phase space.

In both PRIMPIMD and NMPIMD, the equations of motion are propagated using the Leapfrog algorithm, and the quantum energies of the system (total, kinetic and potential energy) are computed using the so-called "virial estimator" [172, 175].

All the force fields available for regular MD in Amber can also be used for PRIMPIMD and NMPIMD simulations. However, we note here that the common empirical force fields may require an additional re-parameterization (see Ref. [176] for a more detailed discussion). A simple charge, flexible water model specifically developed in Ref. [176] for investigating nuclear quantum effects is already implemented in the current version of Amber (see Sec. 2.9 of the AmberTools Users' manual) and it is recommended for PRIMPIMD and NMPIMD simulations of aqueous systems.

5.1.2. How PIMD works in Amber

Implementation and input/output files

The current implementation of PRIMPIMD and NMPIMD allows the "quantization" of either the whole system or just a part of it. In both cases the *mdin* input is the same as for a regular (classical MD) run. However, additional flags are required, which will be described in Section 5.1.2.

For cases where the whole system is quantized, the most efficient way to perform PRIMPIMD and NMPIMD simulations is with *sander.MPI* exploiting the multisander scheme. You must use the same *prmtop* file as in the corresponding classical simulation, while P separate coordinate files (one for each of the P beads) are required. The number of beads to get converged results for typical systems at ambient conditions vary between 16 and 32. However, other aspects of quantum behavior may be observed with fewer beads. Therefore, some experimentation on your system may be required to find the optimal number. In order to run the simulation you also need a multisander groupfile containing (per line) all the options for each sander job. As output,

5. Quantum dynamics

sander.MPI generates the same files as a regular (classical MD) run. The only difference is that there are now P of such files, one for each bead. Therefore, you will have P *mdout* files with the bead contributions to the quantum energies, P *rst* files with the coordinates of each bead for restart, and P trajectory files (*mdcrd* and *mdvel*) with the bead coordinates and velocities saved during the run. It is important to note that for both PRIMPIMD and NMPIMD the velocities do not correspond to the real-time velocities of the system but are just fictitious velocities needed to solve the integral in Eq. (5.5). *sander.MPI* also writes a general *pimdout* file, which reports the quantum results for the whole system (i.e., total, kinetic and potential energy, pressure, volume, density...). If Nosé-Hoover chains of thermostats are employed, an additional file (*NHC.dat*) is printed with the conserved energy for the extended system. You must carefully check that the timestep used in the simulation is small enough to guarantee conservation of this quantity.

For cases where only a part of the system is quantized, both PRIMPIMD and NMPIMD are implemented within the *LES* scheme (see Chapter 9). Therefore, you must use either *sander.LES* or *sander.LES.MPI*, and prepare the *prmtop* file in a special way. The input files are generated using *addles*. Basically, regular topology and coordinate files are needed, then a control script (usually named *addles.in*) should be written. The necessary input files can then be generated by running "*addles < addles.in*". The following is what a typical *addles.in* will look like (lines start with a "~" are comments):

```
~ designate regular topology file
file rprm name=(input.prmtop) read
~ designate normal coordinate file
file rcrd name=(input.inpcrd) read
~ where to put PIMD topology file
file wprm name=(pimd.prmtop) wovr
~ where to put PIMD coordinate file
file wcrd name=(pimd.inpcrd) wovr
action
~ use original mass(it is required by PIMD)
omas
~ make 4 copies of atom 1-648(should be the whole system)
space numc=4 pick #prt 1 648 done
*EOD
```

Several things should be emphasized here about writing *addles.in* for PRIMPIMD and NMPIMD:

1. If copies of the whole system are made, it means that the whole system is quantized. In this case, *sander.MPI* offers a more efficient way to perform PRIMPIMD and NMPIMD simulations without using *LES* (see above). We note here, that *sander.LES* (and *sander.LES.MPI*) should be used when you are interested in quantizing only a part of your system.
2. The current implementation requires that the "omas" tag must be turned on to make every atom use original mass during the simulation.
3. As mentioned above, how many copies to create is a tradeoff between accuracy and efficiency. To get converged total energies, 16-32 copies may be required; however, other aspects of quantum behavior may be seen with fewer copies. Be prepared to experiment on your system to see what is required.

As output, *sander.LES* (and *sander.LES.MPI*) generates the same files as a regular (classical MD) run. The *mdout* file contains the quantum results for the whole system (i.e., total, kinetic and potential energy, pressure, volume, density...). while the *rst* file contains the coordinates of all beads for restart. The trajectory files (*mdcrd* and *mdvel*) contain the coordinates and velocities of all beads saved during the run. If Nosé-Hoover chains of thermostats are employed, an additional file (*NHC.dat*) is printed with the conserved energy for the extended system. You must carefully check that the timestep used in the simulation is small enough to guarantee conservation of this quantity.

Input parameters

In order to perform PRIMPIMD and NMPIMD simulations, an additional flag is required in the *mdin* file, which distinguishes among the different methodologies based on the path-integral formalism.

ipimd Flag for the different methodologies based on the path-integral formalism. See Sections 5.2.1 and 5.3.1 for the other values.

- = 0 defines regular MD (default).
- = 1 defines PRIMPIMD.
- = 2 defines NMPIMD.

As described above, in order to guarantee a proper canonical sampling of the phase space the quantum system must be coupled to a thermostat. In the current implementation, two schemes are available: Langevin thermostat and Nosé-Hoover chains of thermostats coupled to each degree of freedom of the system. As for any regular MD run, the flag that activates the thermostat is *ntt*. A Langevin thermostat is switched on using *ntt=3*, and defining a collision frequency. To activate the Nosé-Hoover chains of thermostats, you must specify *ntt=4* and provide the number of thermostats (*nchain*) in each chain. Use of Nosé-Hoover chains of thermostats is recommended and is the only option currently available for NMPIMD (*ipimd=2*). The choice of an appropriate number of chains depends on the system. Typically, 4 thermostats (*nchain=4*) are sufficient to guarantee an efficient sampling of the phase space.

In summary:

ntt Switch for temperature scaling. See Section 2.6.8 for other options.

- = 3 defines a Langevin thermostat and also requires the definition of *gamma_ln*. Available for PRIMPIMD (*ipimd=1*) only.
- = 4 defines Nosé-Hoover chains of thermostats. Available for PRIMPIMD (*ipimd=1*) and NMPIMD (*ipimd=2*). It also requires the number of thermostats in a chain (*nchain*).

nchain = 2-8 number of thermostats in each Nosé-Hoover chain of thermostats (default 2, recommended ≥ 4).

Quantum simulations in the isothermic-isobaric (NPT) ensemble are possible only for NMPIMD (*ipimd=2*) and for rectangular periodic boundary conditions (*ntb=2*) with isotropic position scaling (*ntp=1*). All the other flags are identical to those for a classical MD simulation. The current implementation of NMPIMD for the NPT ensemble is based on the derivation of Ref [177].

5. Quantum dynamics

Examples

In the following examples of input files for PRIMPIMD and NMPIMD are shown. You are also encouraged to check the test cases in \$AMBERHOME/test/PIMD.

a) *PRIMPIMD input for sander.LES. No periodic boundary conditions.*

Test: \$AMBERHOME/test/PIMD/part_pimd_water.

```
ipimd = 1      ! PRIMPIMD
ntb = 0
ntx = 1,  irest = 0
cut = 100.
temp0 = 300., tempi = 300., temp0les = -1.
ntt = 3, gamma_ln = 20.      ! Langevin thermostat
dt = 0.0001, nstlim = 1000
ntpr = 100, ntwr = 100, ntwx = 100
```

b) *PRIMPIMD input for sander.LES. NVT simulation for water with only the hydrogen atoms being quantized.*

Test: \$AMBERHOME/test/PIMD/part_pimd_spcfw.

```
ipimd = 1      ! PRIMPIMD
ntx = 5,  irest = 0
temp0 = 300., tempi = 300., temp0les = -1.
dt = 0.0002, nstlim 10
cut = 7.
ntt = 3, gamma_ln = 20.      ! Langevin thermostat
ntpr = 1, ntwr = 5, ntwx = 1
```

c) *NMPIMD input for sander.LES. NPT simulation for liquid butane.*

Test: \$AMBERHOME/test/PIMD/part_nmpimd_ntp.

```
ipimd = 2      ! NMPIMD
ntb = 2, ntp = 1      ! isotropic position scaling
ntx = 5,  irest = 0
cut = 8.
temp0 = 80., tempi = 80., temp0les = -1.
ntt = 4, nchain = 4.    ! Nose'-Hoover chains
dt = 0.0002, nstlim = 50
ntpr = 5, ntwr = 5, ntwx = 1
```

d) *NMPIMD input for sander.MPI. NPT simulation for liquid water.*

Test: \$AMBERHOME/test/PIMD/full_pimd_ntp_water.


```

ipimd = 2      ! NMPIMD
ntb = 2, ntp = 1      ! isotropic position scaling
ntx = 5, irst = 1
cut = 7.
temp0 = 298.15
ntt = 4, nchain = 4.      ! Nose'-Hoover chains
dt = 0.0002, nstlim = 10
ntpr = 1, ntwr = 5, ntwx = 5

```

5.2. Centroid Molecular Dynamics (CMD)

Two methods based on the path-integral formalism are available to perform approximate quantum dynamical calculations: Centroid Molecular Dynamics (CMD) [178] and Ring Polymer Molecular Dynamics (RPMD) [179].

The CMD method developed by Voth and coworkers draws upon the prescription of quantum distribution functions, in which the exact quantum expressions are cast into a phase space representation leading to a classical-like physical interpretation of the variables of interest. In particular, an approximate quantum dynamics is obtained by propagating the centroid variables (i.e., positions and velocities of the center of mass of the bead polymer) according to classical-like equations of motion. The current implementation is the so-called Adiabatic CMD [180] that makes use of a normal mode representation of path-integrals where the fictitious mass of the zero-frequency mode (i.e., the centroid of the bead polymer) is given the actual mass of the atom and, contrary to NMPIMD, the fictitious masses of all the non-zero frequency modes are scaled by an adiabaticity parameter, $\gamma < 0$. This procedure decouples the centroid motion from that of the other normal modes in the same spirit of the Car-Parrinello method. Although the centroid variables move following Newton's equations of motion, Nosé-Hoover chains of thermostats must be attached to each non-zero frequency normal mode. The user is strongly encouraged to refer to the relevant literature (Ref. [178] and references therein) for a more rigorous derivation of the CMD method.

The RPMD method developed by Manolopoulos and coworkers is based on primitive PIMD. However, there are two fundamental differences: 1) each bead is given a fictitious mass equal to the actual mass of the atom (i.e., $\mu = m$), 2) the dynamics of the system is strictly determined by the fictitious Hamiltonian of Eq. (5.11), i.e., no thermostats are employed. Also in this case, the user is strongly encouraged to refer to the relevant literature for a detailed derivation of this method [179].

Both CMD and RPMD simulations provide an efficient route for the calculation of approximate Kubo transformed correlation functions, which can then be related to the true quantum correlation functions. Importantly, running several independent trajectories is required for both CMD and RPMD to guarantee a proper canonical average of the initial conditions and, consequently, to obtain converged results (see Refs. [176] and [181] for examples of CMD and RPMD simulations, respectively).

All the force fields available for regular MD simulations in Amber can be used for CMD and RPMD. However, we also note here that the common empirical force fields may require an additional reparameterization (see Ref. [176] for a more detailed discussion). A simple charge, flexible water model specifically developed in Ref. [176] for investigating nuclear quantum

5. Quantum dynamics

effects is already implemented in the current version of Amber (see Sec. 2.9 of the AmberTools Users' manual) and it is recommended for CMD and RPMD simulations of aqueous systems.

5.2.1. Implementation and input/output files

The implementation of CMD and the input/output files are identical to those of NMPIMD (see Section 5.1.2), with few differences. In addition to the NMPIMD output files, two other files are generated for CMD: *CMD_position.dat* containing the centroid positions, and *CMD_velocity.dat* containing the centroid velocities saved along the trajectory. The format of these files is identical to that of a classical MD simulation (*mdcrd* and *mdvel*), and the frequency with which these information are saved is determined by *ntpr*. The *mdin* input is the same as for a regular (classical MD) run. However, additional flags are required as described below.

In order to perform CMD simulations the following flags are required in the *mdin* file:

ipimd Flag for the different methodologies based on the path-integral formalism. See Section 5.1.2 for the other values.

= 3 defines CMD.

adiab_param This defines the so-called adiabaticity parameter (γ) used to make the fictitious masses of the non-zero frequency normal modes small enough to decouple their motion from that of the centroid. It has been shown that $\gamma \leq 1/2P$ (where P is the total number of beads) is sufficiently small to get converged results. As a consequence of this, a smaller timestep is required. During the equilibration run (see below) you must carefully check that the timestep employed is small enough to guarantee the energy conservation of the extended system reported in the *NHC.dat* file (see Section 5.1.2). Default is 1, but you need to specify this, since default value is not appropriate.

ntt Switch for temperature scaling.

= 4 defines Nosé-Hoover chains of thermostats. It also requires the number of thermostats in a chain (*nchain*). For CMD, Nosé-Hoover chains of thermostats must be attached to each non-zero frequency normal mode.

nchain = 2-8 number of thermostats in each Nosé-Hoover chain of thermostats (default 2, recommended ≥ 4).

eq_cmd This flag must be used during the CMD equilibration to generate a canonical distribution of the centroid variables before an actual CMD run. Default is .false.

restart_cmd Flag necessary for restarting a CMD simulation.

In order to run a CMD simulation, you must first generate an equilibrated quantum configuration of your system using NMPIMD (see Section 5.1.2). A canonical distribution of the centroid variables must then be obtained from a CMD simulation with the *equilib_cmd* flag on. After this equilibration, the final configuration is then used as initial configuration for the actual CMD simulation. For restarting a CMD run the *restart_cmd* flag in the *mdin* file is required.

Importantly, for CMD simulations it is necessary that *ntb=1*, which is the default value.

5.2.2. Examples

In the following examples of input files for CMD are shown. You are also encouraged to check the test cases in \$AMBERHOME/test/PIMD.

a) *CMD for sander.LES. Equilibration of the centroid variables.*

Test: \$AMBERHOME/test/PIMD/part_cmd_water/equilib.

```

ipimd = 3           ! CMD
ntx = 5, irest = 0
ntb = 1
temp0 = 298.15, tempi = 298.15, temp0les = -1.
cut = 7.0
ntt = 4, nchain = 4.      ! Nose'-Hoover chains
dt = 0.00005, nstlim = 100
eq_cmd = .true.         ! equilibration for CMD
adiab_param = 0.5      ! adiabaticity parameter
ntpr = 20, ntwr = 20

```

b) *CMD input for sander.LES. Start of an actual CMD simulation after equilibration.*

Test: \$AMBERHOME/test/PIMD/part_cmd_water/start.

```

ipimd = 3           ! CMD
ntx = 5, irest = 1
ntb = 1
temp0 = 298.15, tempi = 298.15, temp0les = -1.
cut = 7.0
ntt = 4, nchain = 4.      ! Nose'-Hoover chains
dt = 0.00005, nstlim = 100
eq_cmd = .false.        ! actual CMD
adiab_param = 0.5      ! adiabaticity parameter
ntpr = 20, ntwr = 20

```

c) *CMD input for sander.LES. Restart of an actual CMD.*

Test: \$AMBERHOME/test/PIMD/part_cmd_water/restart.

```

ipimd = 3           ! CMD
ntx = 5, irest = 1
ntb = 1
temp0 = 298.15, tempi = 298.15, temp0les = -1.
cut = 7.0
ntt = 4, nchain = 4.      ! Nose'-Hoover chains
dt = 0.00005, nstlim = 100
eq_cmd = .false.        ! actual CMD
restart_cmd = .true.     ! restart
adiab_param = 0.5      ! adiabaticity parameter
ntpr = 20, ntwr = 20

```

5.3. Ring Polymer Molecular Dynamics (RPMD)

The implementation of RPMD and the necessary input/output files are identical to those of PRIMPIMD (see Section 5.1.2). The *mdin* input is the same as for a PRIMPIMD with only few differences described below.

5.3.1. Input parameters

In order to perform RPMD the following flags are required in the *mdin* file:

ipimd Flag for the different methodologies based on the path-integral formalism. See Section 5.1.2 for the other values.

= 4 defines RPMD.

ntt Set this to 0, for constant energy dynamics

nscm Set this to 0, to avoid removing translational and rotational center-of-mass motion.

You must first generate an equilibrated quantum configuration of your system using PRIMPIMD (see Section 5.1.2), which is then used as initial configuration for the actual RPMD simulation.

5.3.2. Examples

In the following examples of input files for RPMD are shown. You are also encouraged to check the test cases in \$AMBERHOME/test/PIMD.

a) RPMD input for *sander.LES*.

Test: \$AMBERHOME/test/PIMD/part_rpmd_water.

```
ipimd = 4           ! RPMD
ntx = 5,  irest = 0
ntt = 0
nscm = 0
temp0 = 300., temp0les = -1.
cut = 7.0
dt = 0.0002, nstlim = 10
ntpr = 1, ntwr = 5, ntwx = 1, ntwv = 1
```

5.4. Reactive Dynamics

5.4.1. Path integral quantum transition state theory

The path integral quantum transition state theory rate [182] is given by

$$k_{\text{PI-QTST}} = 1/2 \left\langle \left| \dot{\xi} \right| \right\rangle_{\xi^{\ddagger}} \rho_c(\xi^{\ddagger}) \quad (5.12)$$

where the centroid density

$$\rho_c(\xi) = \frac{\int d\mathbf{r}^{(1)} d\mathbf{r}^{(2)} \dots d\mathbf{r}^{(P)} \exp[-\beta\Phi(\mathbf{r}^{(1)}, \dots, \mathbf{r}^{(P)})] \delta[\tilde{\xi}_c(\mathbf{r}^{(1)}, \dots, \mathbf{r}^{(P)}) - \xi]}{\int d\mathbf{r}^{(1)} d\mathbf{r}^{(2)} \dots d\mathbf{r}^{(P)} \exp[-\beta\Phi(\mathbf{r}^{(1)}, \dots, \mathbf{r}^{(P)})] h[\xi^\ddagger - \tilde{\xi}_c(\mathbf{r}^{(1)}, \dots, \mathbf{r}^{(P)})]} \quad (5.13)$$

is related to the potential of mean force $w(\xi)$ as

$$\rho_c(\xi) = \frac{\exp[-\beta w(\xi)]}{\int_{-\infty}^{\xi^\ddagger} d\xi \exp[-\beta w(\xi)]} \quad (5.14)$$

In Eq. (5.13), $\beta = 1/k_B T$, Φ is the effective potential (see Eqs. 5.8 and 5.34), h is the Heaviside step function, ξ^\ddagger is the location of the dividing surface that partitions the reactant and product regions and $\tilde{\xi}_c$ is the value of the reaction coordinate as a function of the centroid coordinates $\mathbf{r}^{(c)} = \frac{1}{P} \sum_{s=1}^P \mathbf{r}^{(s)}$. As Eq. (5.14) suggests, the centroid density factor can be computed using umbrella sampling approaches to generate a set of biased distributions that then can be combined into a PMF using the WHAM approach [96–98]. The dynamical frequency factor can be approximated by the velocity of a free particle along the reaction coordinate direction

$$\left\langle \left| \dot{\xi} \right| \right\rangle_{\xi^\ddagger} = \left(\frac{2}{\pi\beta} \right)^{1/2} \left\langle \left(\sum_{i=1}^{3N} \frac{1}{m_i} \left(\frac{\partial \tilde{\xi}_c}{\partial r_i^{(c)}} \right)^2 \right)^{1/2} \right\rangle_{\xi^\ddagger} \quad (5.15)$$

where $\langle \dots \rangle_{\xi^\ddagger}$ denotes the conditional average computed at the dividing surface ξ^\ddagger . Both factors in the PI-QTST rate expression can be computed using the EVB/LES-PIMD facility in Amber (see Section 3.3.4). The value of the centroid reaction coordinate and the velocity of a free particle along the centroid RC direction are written to the file *evbout* (see Section C). To output $\left| \dot{\xi} \right|$, set the variable `out_RCdot = .true.` in the EVB input file.

5.4.2. Quantum Instanton

The Quantum Instanton (QI) is a theoretical approach for computing thermal reaction rates in complex molecular systems, which is related to an older semiclassical (SC) theory of reaction rates that came to be known as the “instanton” approximation [183]. The SC instanton approximation is based on a SC approximation for the Boltzmann operator, $\exp(-\beta H)$, which involves a classical periodic orbit in pure imaginary time (or equivalently in real time on the upside-down potential energy surface) plus harmonic fluctuations about it [183]. The essential feature of the QI rate constant [184] is that it is expressed wholly in terms of the quantum Boltzmann operator, which can be evaluated for complex molecular systems using the path-integral methods described in Sec. 5.1.

In the following we will briefly illustrate the basic principles, and we will derive the fundamentals of the QI approach. We strongly recommend the user to consult the relevant literature for a more rigorous description [184, 185].

The derivation begins with the following formally exact expression of the quantum mechanical thermal rate constant [183]:

5. Quantum dynamics

$$k(T)Q_r(T) \equiv kQ_r = \frac{1}{2\pi\hbar} \int dE e^{-\beta E} N(E), \quad (5.16)$$

where $Q_r(T)$ is the reactant partition function per unit volume at temperature T , β is the inverse temperature $1/k_B T$, and $N(E)$ is the cumulative reaction probability at total energy E [186]:

$$N(E) = \frac{(2\pi\hbar)^2}{2} \text{tr} [\hat{F}_a \delta(E - \hat{H}) \hat{F}_b \delta(E - \hat{H})]. \quad (5.17)$$

In Eq. 5.17 the flux operators \hat{F}_a and \hat{F}_b are defined by

$$\hat{F}_\gamma = \frac{i}{\hbar} [\hat{H}, h(\xi_\gamma(\mathbf{q}))], \quad (5.18)$$

where $\gamma = a, b$, $h(\xi_\gamma)$ is the Heaviside function, and \hat{H} is the Hamiltonian of the system. We note that Eqs. 5.17 and 5.18 involve two dividing surfaces $\xi_a(\mathbf{q}) = 0$ and $\xi_b(\mathbf{q}) = 0$. The microcanonical density operator $\delta(E - \hat{H})$ in Eq. 5.17 as well as the integral over the total energy in Eq. 5.16 can be computed using a semiclassical approximation, which results in the following quantum instanton expression for the rate constant:

$$k \simeq k_{QI} \equiv \frac{1}{Q_r} C_{ff}(0) \frac{\sqrt{\pi}}{2} \frac{\hbar}{\Delta H}. \quad (5.19)$$

In Eq. 5.19, $C_{ff}(0)$ is the zero time value of the flux-flux correlation function generalized to the case of two separate dividing surfaces,

$$C_{ff}(t) = \text{tr} \left[e^{-\beta\hat{H}/2} \hat{F}_a e^{-\beta\hat{H}/2} e^{i\hat{H}t/\hbar} \hat{F}_b e^{-i\hat{H}t/\hbar} \right], \quad (5.20)$$

and ΔH is a specific type of energy variance given by

$$\Delta H^2 = \frac{\text{tr} \left[\hat{\Delta}_a e^{-\beta\hat{H}/2} \hat{H}^2 \hat{\Delta}_b e^{-\beta\hat{H}/2} \right] - \text{tr} \left[\hat{\Delta}_a e^{-\beta\hat{H}/2} \hat{H} \hat{\Delta}_b e^{-\beta\hat{H}/2} \hat{H} \right]}{\text{tr} \left[\hat{\Delta}_a e^{-\beta\hat{H}/2} \hat{\Delta}_b e^{-\beta\hat{H}/2} \right]} \quad (5.21)$$

with $\hat{\Delta}_a$ and $\hat{\Delta}_b$ being a modified version of the Dirac delta function:

$$\hat{\Delta}_\gamma = \Delta(\xi_\gamma(\hat{\mathbf{q}})) \equiv \delta(\xi_\gamma(\hat{\mathbf{q}})) | m^{-1/2} \nabla \xi_\gamma(\hat{\mathbf{q}}) | \quad (5.22)$$

where $\gamma = a, b$. It has been shown that ΔH can also be expressed in terms of the ‘‘delta-delta’’ correlation function [185].

The QI rate constant [Eq. (5.19)] can be rewritten in the form [185]

$$k_{QI} = \frac{C_{dd}(0)}{Q_r} \left\{ \frac{C_{ff}(0)}{C_{dd}(0)} \frac{\sqrt{\pi}}{2} \frac{\hbar}{\Delta H} \right\} \quad (5.23)$$

where

$$\frac{C_{dd}(0; \xi_a, \xi_b)}{Q_r} = \frac{\int d\mathbf{r}^{(1)} d\mathbf{r}^{(2)} \dots d\mathbf{r}^{(P)} \exp \left[-\beta \Phi(\mathbf{r}^{(1)}, \dots, \mathbf{r}^{(P)}) \right] \delta \left[\tilde{\xi}(\mathbf{r}^{(P)}) - \xi_a \right] \delta \left[\tilde{\xi}(\mathbf{r}^{(P/2)}) - \xi_b \right]}{\int d\mathbf{r}^{(1)} d\mathbf{r}^{(2)} \dots d\mathbf{r}^{(P)} \exp \left[-\beta \Phi(\mathbf{r}^{(1)}, \dots, \mathbf{r}^{(P)}) \right] h \left[\xi^\ddagger - \tilde{\xi}(\mathbf{r}^{(P)}) \right] h \left[\xi^\ddagger - \tilde{\xi}(\mathbf{r}^{(P/2)}) \right]} \quad (5.24)$$

$$C_{ff}(0)/C_{dd}(0) = \left\langle f_v(\mathbf{r}^{(1)}, \dots, \mathbf{r}^{(P)}) \right\rangle_{\xi_{(P)}^{\ddagger}, \xi_{(P/2)}^{\ddagger}} \quad (5.25)$$

$$\Delta H^2 = \frac{1}{2} \left\langle F(\mathbf{r}^{(1)}, \dots, \mathbf{r}^{(P)})^2 + G(\mathbf{r}^{(1)}, \dots, \mathbf{r}^{(P)}) \right\rangle_{\xi_{(P)}^{\ddagger}, \xi_{(P/2)}^{\ddagger}} \quad (5.26)$$

The conditional average $\langle \dots \rangle_{\xi_{(P)}^{\ddagger}, \xi_{(P/2)}^{\ddagger}}$ is computed from the ensemble sampled with the P and $P/2$ slices constrained to the dividing surface

$$\langle \dots \rangle_{\xi_{(P)}^{\ddagger}, \xi_{(P/2)}^{\ddagger}} = \frac{\int d\mathbf{r}^{(1)} d\mathbf{r}^{(2)} \dots d\mathbf{r}^{(P)} \exp[-\beta\Phi(\mathbf{r}^{(1)}, \dots, \mathbf{r}^{(P)})] \delta[\tilde{\xi}(\mathbf{r}^{(P)}) - \xi_a] \delta[\tilde{\xi}(\mathbf{r}^{(P/2)}) - \xi_b] \times (\dots)}{\int d\mathbf{r}^{(1)} d\mathbf{r}^{(2)} \dots d\mathbf{r}^{(P)} \exp[-\beta\Phi(\mathbf{r}^{(1)}, \dots, \mathbf{r}^{(P)})] \delta[\tilde{\xi}(\mathbf{r}^{(P)}) - \xi_a] \delta[\tilde{\xi}(\mathbf{r}^{(P/2)}) - \xi_b]}$$

where the quantities within the average (for the simple case of a single quantized nuclear particle) are defined as follows:

$$f_v(\mathbf{r}^{(1)}, \dots, \mathbf{r}^{(P)}) = m \left(\frac{iP}{2\hbar\beta} \right)^2 \nabla \xi_a(\mathbf{r}^{(P)}) \cdot (\mathbf{r}^{(1)} - \mathbf{r}^{(P-1)}) \times \nabla \xi_b(\mathbf{r}^{(P/2)}) \cdot (\mathbf{r}^{(P/2+1)} - \mathbf{r}^{(P/2-1)}) \quad (5.27)$$

$$F(\mathbf{r}^{(1)}, \dots, \mathbf{r}^{(P)}) = -\frac{mP}{\hbar^2\beta^2} \left\{ \sum_{k=1}^{P/2} - \sum_{k=P/2+1}^P \right\} (\mathbf{r}^{(k)} - \mathbf{r}^{(k-1)})^2 + \frac{2}{P} \left\{ \sum_{k=1}^{P/2-1} - \sum_{k=P/2+1}^{P-1} \right\} V(\mathbf{r}^{(k)}) \quad (5.28)$$

$$G(\mathbf{r}^{(1)}, \dots, \mathbf{r}^{(P)}) = \frac{2dP}{\beta^2} - \frac{4mP}{\hbar^2\beta^3} \sum_{k=1}^P (\mathbf{r}^{(k)} - \mathbf{r}^{(k-1)})^2 \quad (5.29)$$

All factors needed to calculate the QI rate can be obtained from the EVB/LES-PIMD facility in Amber (see Section 3.3.4). For example, the joint distribution function [Eq. (5.24)] is computed using umbrella sampling along the reaction coordinates of the P and $P/2$ slices. The DG EVB input file of the RS malonaldehyde system may contain the following specifications:

```
&evb nevb = 2, nUFF = 1, nbias = 2, ntw_evb = 50,
dia_type = "ab_initio",
xch_type = "dist_gauss",
evb_dyn = "qi_dbonds_pmf",
dia_shift(1)%st = 1, dia_shift(1)%nrg_offset = 0.0,
dia_shift(2)%st = 2, dia_shift(2)%nrg_offset = 0.0,
dbonds_umb(1)%iatom = 8, dbonds_umb(1)%jatom = 9, dbonds_umb(1)%katom = 7,
dbonds_umb(1)%k = 100.0, dbonds_umb(1)%ezero = -.20,
dbonds_umb(2)%iatom = 8, dbonds_umb(2)%jatom = 9, dbonds_umb(2)%katom = 7,
dbonds_umb(2)%k = 100.0, dbonds_umb(2)%ezero = .40,
dist_gauss%stype = "no_dihedrals",
dist_gauss%lin_solve = "diis",
```

5. Quantum dynamics

```
dist_gauss%xfile_type = "gaussian_fchk",
ts_xfile(1) = "malonaldehydeTS_35.fchk",
min_xfile(1) = "malonaldehydeR_35.fchk",
min_xfile(2) = "malonaldehydeP_35.fchk",
dgpt_alpha(1) = 0.72,
dgpt_alpha(2) = 0.72,
dgpt_alpha(3) = 0.72,
UFF(1)%iatom = 7, UFF(1)%jatom = 9
/
```

where the variable **evb_dyn = "qi_dbonds_pmf"** requests biased sampling along a difference of distances RC on the P and $P/2$ slices whose umbrella parameters are specified in **dbonds_umb(:)**. Input specifications for the PS malonaldehyde system is identical to the above, except that the UFF atom pair has been changed to reflect the product topology (see Section 3.3.5). A set of 2-dimensional (2D) biased simulations, each enhancing the sampling near a particular point of the 2D ($\xi_P \times \xi_{P/2}$) configuration space is required to map out the QI joint distribution. Using the WHAM procedure, the generated biased distributions can be unbiased to form $C_{dd}(0)/Q_r$ on the EVB ground-state surface V_{el0} . All remaining factors involve conditional averages of f_v , F and G . These quantities are computed using umbrella sampling with the P and $P/2$ slices constrained to the dividing surface $\xi^{\ddagger} = 0.0$ and are written to the *evbout* file (see Section C). The corresponding EVB input file is identical to the above, but with the following modifications:

```
:
:
evb_dyn = "qi_dbonds_pmf",
evb_dyn = "qi_dbonds_dyn",
:
:
dbonds_umb(1)%k = 100.0, dbonds_umb(1)%k = .20,
dbonds_umb(1)%k = 400.0, dbonds_umb(1)%ezero = 0.0,
:
:
dbonds_umb(2)%k = 100.0, dbonds_umb(2)%ezero = .40,
dbonds_umb(2)%k = 400.0, dbonds_umb(2)%ezero = 0.0,
:
:
```

5.5. Isotope effects

5.5.1. Thermodynamic integration with respect to mass

As mentioned in Section 4.1, the standard implementation of thermodynamic integration in AMBER assumes that the potential energy surface (PES) changes, but masses do not. For isotope effects the situation is exactly opposite: Within the Born-Oppenheimer approximation, the PES remains unchanged and it is the masses that change. One is usually interested in the

ratio of the partition functions of the system with the heavy isotope ($Q^{(h)}$) and the light isotope ($Q^{(l)}$),

$$Q^{(h)}/Q^{(l)} = e^{-\beta\Delta F},$$

where the change in free energy ΔF can be computed by the thermodynamic integration (TI) with respect to mass as

$$\Delta F = \int_0^1 \langle dV_{\text{eff}}(\lambda)/d\lambda \rangle d\lambda. \quad (5.30)$$

The parameter λ interpolates between the masses of the system with the lighter ($\lambda = 0$) and the heavier ($\lambda = 1$) isotopes,

$$m_i(\lambda) = (1 - \lambda)m_i^{(l)} + \lambda m_i^{(h)}, \quad (5.31)$$

and the effective potential V_{eff} is defined as

$$V_{\text{eff}}(\lambda) := -\beta^{-1} \log Q(\lambda). \quad (5.32)$$

The TI consists in running several simulations for different values of λ , computing $\langle dV_{\text{eff}}(\lambda)/d\lambda \rangle$ in each simulation, and performing the simple integral (Eq. 5.30) in the end.

In classical mechanics, the TI w.r.t. mass would be rather trivial, so we assume that the calculation is quantum-mechanical and uses PIMD. Let N be the number of atoms and P the number of imaginary time slices in the discretized path integral (PI). ($P = 1$ gives classical mechanics, $P \rightarrow \infty$ gives quantum mechanics.) The PI representation of Q is

$$Q \simeq \left(\frac{P}{2\pi\hbar^2\beta} \right)^{3NP/2} \prod_{i=1}^N m_i^{3P/2} \int d\mathbf{r}^{(1)} \dots \int d\mathbf{r}^{(P)} e^{-\beta\Phi}, \quad (5.33)$$

where Φ is given by

$$\Phi = \frac{P}{2\hbar^2\beta^2} \sum_{i=1}^N m_i \sum_{s=1}^P \left(\mathbf{r}_i^{(s)} - \mathbf{r}_i^{(s+1)} \right)^2 + \frac{1}{P} \sum_{s=1}^P V \left(\mathbf{r}^{(s)} \right) \quad (5.34)$$

and $\mathbf{r}_i^{(s)}$ denotes the s th slice coordinates of the i th atom.

The tricky part in PI simulations is finding efficient ways to estimate relevant quantities (in the PI jargon, finding efficient “estimators”) – in our case $dV_{\text{eff}}(\lambda)/d\lambda$ from Eq. (5.30). For example, direct differentiation of Eq. (5.33) gives the thermodynamic-like estimator (TE), [187]

$$\frac{dV_{\text{eff}}(\lambda)}{d\lambda} \simeq - \sum_{i=1}^N \frac{dm_i}{d\lambda} \left[\frac{3P}{2m_i\beta} - \frac{P}{2\hbar^2\beta^2} \sum_{s=1}^P \left(\mathbf{r}_i^{(s)} - \mathbf{r}_i^{(s+1)} \right)^2 \right] \quad (\text{TE}). \quad (5.35)$$

The problem with this estimator is that its statistical error grows with P . If one wishes to go to the quantum limit, one must increase the number of samples enormously. In Ref. [188], this drawback was avoided by subtracting the centroid coordinate

$$\mathbf{r}_i^{(C)} = \frac{1}{P} \sum_{s=0}^{P-1} \mathbf{r}_i^{(s)}$$

5. Quantum dynamics

and using mass-scaled coordinates in Eq. (5.33). The resulting virial-like estimator (VE),

$$\frac{dV_{\text{eff}}(\lambda)}{d\lambda} \simeq - \sum_{i=1}^N \frac{dm_i/d\lambda}{m_i} \left[\frac{3}{2\beta} + \frac{1}{2P} \left\langle \sum_{s=1}^P (\mathbf{r}_i^{(s)} - \mathbf{r}_i^{(C)}) \cdot \frac{\partial V(\mathbf{r}^{(s)})}{\partial \mathbf{r}_i^{(s)}} \right\rangle \right] \quad (\text{VE}), \quad (5.36)$$

has the advantage that the statistical error is independent of P . Compared to TE, the virial-like estimator requires the gradient of the potential, but at no additional cost, since the gradient is already needed for the PIMD. Both types of estimators are implemented in AMBER in order to provide an independent comparison, but in general the virial estimator is preferred.

Strictly speaking, the preceding derivation was for a system bound in an external potential. In molecular systems with internal interactions only, the partition function can only be defined per unit volume because the center-of-mass coordinate is unbound. However, if the sampling is done in Cartesian coordinates as in AMBER, the preceding estimators remain unchanged. This can be justified by considering a finite volume V and taking a limit $V \rightarrow \infty$.

5.5.2. AMBER implementation

The thermodynamic integration w.r.t. mass is run in AMBER as any other PIMD simulation with the following changes.

1. In the *mdin* file, ITIMASS and CLAMBDA must be set.
 - ITIMASS = 0 No thermodynamic integration w.r.t. mass (default).
 - ITIMASS = 1 Run TI w.r.t. mass using the efficient virial estimator (5.36). This is the preferred value.
 - ITIMASS = 2 Run TI w.r.t. mass using the simple thermodynamic estimator (5.35). This option should only be used for testing. The virial estimator (option 1) has much smaller statistical error.
- CLAMBDA Contains the value of λ for TI ($0.0 \leq \lambda \leq 1.0$) from Eq. (5.31).
2. In the *prmtop* (topology) file, a flag TI_MASS with the perturbed masses must be added. In other words, the current flag MASS includes the masses for the first (unperturbed) isotopic system ($m_i^{(l)}$), and TI_MASS includes the masses for the second (perturbed) isotopic system ($m_i^{(h)}$). Note that unlike the standard TI for which the force field changes, the TI w.r.t. mass requires only one topology file.
3. The output $dV_{\text{eff}}/d\lambda$ from Eqs. (5.35) and (5.36) for the TI is printed as “DV/DL” in the *mdout* file (as for the standard TI).

Note: Currently, the TI w.r.t. mass can be used with both implementations of the PIMD (that is the full PIMD and the LES PIMD). There are examples of both in the directory *test/ti_mass*.

5.5.3. Equilibrium isotope effects

Equilibrium (or thermodynamic) isotope effect (EIE) is the effect of isotopic substitution on the equilibrium constant K of a chemical reaction. Denoting the quantities pertaining to the

reaction with the lighter (heavier) isotope by a superscript l (h), the EIE is defined as the ratio of the equilibrium constants

$$\text{EIE} := \frac{K^{(l)}}{K^{(h)}}. \quad (5.37)$$

Within the Born-Oppenheimer approximation, the potential energy surfaces of isotopic molecules are identical, and so the EIE is only due to the effect of the isotopic mass on the nuclear motion of the reactants and products. The EIE can be expressed as the ratio

$$\text{EIE} = \frac{Q_p^{(l)}/Q_p^{(h)}}{Q_r^{(l)}/Q_r^{(h)}}. \quad (5.38)$$

where Q_r and Q_p denote the reactant and product partition functions, respectively. Equation (5.37) suggests that the EIE can be found in practice by performing two thermodynamic integrations: for the reactants, $Q_r^{(l)}/Q_r^{(h)}$, and for the products, $Q_p^{(l)}/Q_p^{(h)}$.

5.5.4. Kinetic isotope effects

Similarly, the kinetic isotope effect (KIE) is the effect of isotopic substitution on the rate constant k of a chemical reaction, and is defined as

$$\text{KIE} := \frac{k^{(l)}}{k^{(h)}}.$$

The exact quantum-mechanical expression for the rate constant is

$$k = Q_r^{-1} \text{tr} \left(e^{-\beta \hat{H}} \hat{F} \hat{P} \right)$$

where \hat{H} is the Hamiltonian operator and $\hat{F} \hat{P}$ is the reactive flux operator. Unfortunately, the exact k cannot be computed even for fairly small molecules. There exists, however, a very accurate Quantum Instanton (QI) approximation for the rate constant [184], given by

$$k_{\text{QI}} = \frac{1}{2} \sqrt{\pi \hbar} \frac{C_{\text{ff}}(0)}{Q_r \Delta H}. \quad (5.39)$$

In this expression, $C_{\text{ff}}(t)$ is the flux-flux correlation function and ΔH is a specific type of energy variance, defined in Ref. [184]. A path-integral implementation of the QI approximation to compute KIEs has been developed in Refs. [187] and [188]. Within this approximation, the KIE is written as a product of several factors,

$$\text{KIE}_{\text{QI}} = \frac{k_{\text{QI}}^{(l)}}{k_{\text{QI}}^{(h)}} = \frac{Q_r^{(l)}}{Q_r^{(h)}} \times \frac{\Delta H^{(h)}}{\Delta H^{(l)}} \times \frac{C_{\text{dd}}^{(l)}(0)}{C_{\text{dd}}^{(h)}(0)} \times \frac{C_{\text{ff}}^{(l)}(0)/C_{\text{dd}}^{(l)}(0)}{C_{\text{ff}}^{(h)}(0)/C_{\text{dd}}^{(h)}(0)}, \quad (5.40)$$

where for convenience we have multiplied and divided by so-called delta-delta correlation function $C_{\text{dd}}(t)$. Using the PIMD implementation in AMBER, quantities such as $\Delta H^{(h)}$ or $C_{\text{ff}}^{(l)}(0)/C_{\text{dd}}^{(l)}(0)$, can be computed directly in a constrained PIMD simulation because they are thermodynamic averages (see Section 5.4.2 on the QI evaluation of the rate constant). The ratio $Q_r^{(l)}/Q_r^{(h)}$ must be computed by the TI with respect to mass. Finally, the correlation function $C_{\text{dd}}(t)$ is defined very similarly to the partition function Q , with the exception that it is constrained to two dividing surfaces for the reaction. Consequently, the ratio $C_{\text{dd}}^{(l)}(0)/C_{\text{dd}}^{(h)}(0)$ must be computed by a TI but with a constrained PIMD.

5. Quantum dynamics

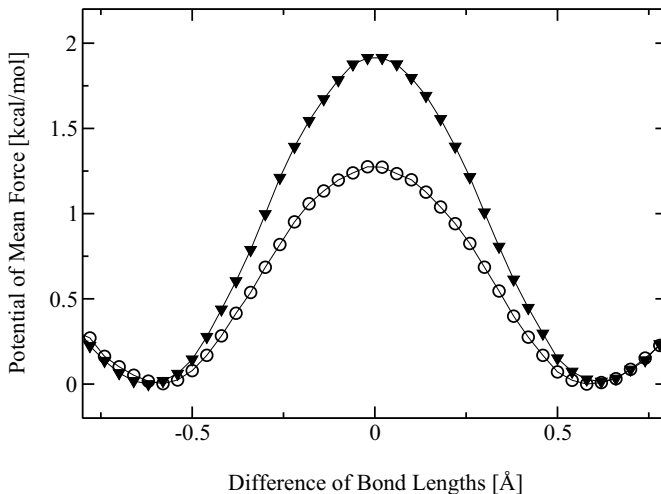


Figure 5.1: PMFs for proton (\odot curve) and deuterium (\blacktriangledown curve) transfer in malonaldehyde using DG EVB/LES-PIMD.

5.5.5. Estimating the kinetic isotope effect using EVB/LES-PIMD

The kinetic isotope effect is defined as the ratio of the rate of reaction involving the lighter isotope compared to the rate involving the heavier isotope, $\text{KIE} = k^{(l)}/k^{(h)}$. Within the PIQTST approximation, the KIE involves the ratio of dynamical frequency factors and the ratio of centroid densities [see Eqs. (5.12-5.15)]. Each frequency factor can be computed using biased sampling EVB/LES-PIMD, where the umbrella potential constrains the sampling along the dividing surface. The ratio of the centroid densities can be computed by employing biased sampling (see Sections 3.3.3 and 3.3.4) to map out the PMFs for both isotope reactions or by thermodynamic integration with respect to mass (see Sections 5.5.1 and 5.5.2). The former case involves two separate PMF calculations where the respective isotope masses are specified in the %FLAG MASS section of the parmtop files. Figure 5.1 compares the PMFs for the isotopic substitution of the transferring proton to a deuterium. All simulation parameters used in generating the PMFs are identical, with the exception that the transferring proton mass was changed from 1.008 amu to 2.014 amu in the deuterium parmtop file. The ratio of the centroid densities using Eq. (5.14) provide a value of 2.52.

Thermodynamic integration with respect to mass is discussed in detail in Sections 5.5.1 and 5.5.2. The key quantities we need to estimate the ratio of the centroid densities are embodied in the equation [188, 189]

$$\frac{\rho_c^{(l)}(\xi^\ddagger)}{\rho_c^{(h)}(\xi^\ddagger)} = \exp \left[-\beta \int_0^1 d\lambda \left(\left\langle \frac{dV_{\text{eff}}(\lambda)}{d\lambda} \right\rangle_{\text{RS}} - \left\langle \frac{dV_{\text{eff}}(\lambda)}{d\lambda} \right\rangle_{\xi^\ddagger} \right) \right] \quad (5.41)$$

Thus two separate TI by mass simulations are required, one that samples $dV_{\text{eff}}/d\lambda$ in the reactant region and the other which samples along the dividing surface ξ^\ddagger . The former case requires ground-state EVB/LES-PIMD dynamics (i.e., `evb_dyn="groundstate"`) on the reactant

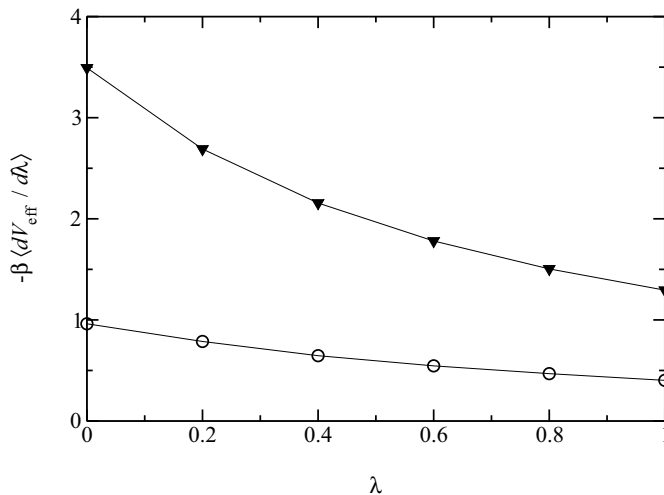


Figure 5.2: Average value of $-\beta \langle dV_{\text{eff}}/d\lambda \rangle$ sampled in the RS region (▼ curve) and at the dividing surface ξ^{\ddagger} (○ curve) as a parameter of λ .

surface with TI by mass invoked in the *mdin* file (i.e., **ievb=1, ipimd=2, ntt=4, nchain=4, itimass=1, clambda=0.2**). A set of simulations with **clambda** ranging from 0 to 1 maps out the derivative along the mass transformation progress variable. Sampling of $dV_{\text{eff}}/d\lambda$ along the dividing surface is invoked in a similar fashion, but with ground-state dynamics replaced by biased sampling constrained to the dividing surface (i.e., **evb_dyn = "dbonds_umb", dbonds_umb(1)%iatom = 8, dbonds_umb(1)%jatom = 9, dbonds_umb(1)%katom = 7, dbonds_umb(1)%k = 400.000, dbonds_umb(1)%ezero = 0.0**). Here, the dividing surface ξ^{\ddagger} is located at 0.0 along the difference of distances RC. Figure 5.2 shows the averages $-\beta \langle \dots \rangle_{\text{RS}}$ and $-\beta \langle \dots \rangle_{\xi^{\ddagger}}$ as a parameter of λ for the malonaldehyde system. Using the integration of Eq. (5.41) provides a centroid density ratio of 2.86.

5. *Quantum dynamics*

6. NMR and X-ray refinement using SANDER

We find the *sander* module to be a flexible way of incorporating a variety of restraints into a optimization procedure that includes energy minimization and dynamical simulated annealing. The "standard" sorts of NMR restraints, derived from NOE and J-coupling data, can be entered in a way very similar to that of programs like DISGEO, DIANA or X-PLOR; an aliasing syntax allows for definitions of pseudo-atoms, connections with peak numbers in spectra, and the use of "ambiguous" constraints from incompletely-assigned spectra. More "advanced" features include the use of time-averaged constraints, use of multiple copies (LES) in conjunction with NMR refinement, and direct refinement against NOESY intensities, paramagnetic and diamagnetic chemical shifts, or residual dipolar couplings. In addition, a key strength of the program is its ability to carry out the refinements (usually near the final stages) using an explicit-solvent representation that incorporates force fields and simulation protocols that are known to give pretty accurate results in many cases for unconstrained simulations; this ability should improve predictions in regions of low constraint density and should help reduce the number of places where the force field and the NMR constraints are in "competition" with one another.

Since there is no generally-accepted "recipe" for obtaining solution structures from NMR data, the comments below are intended to provide a guide to some commonly-used procedures. Generally speaking, the programs that need to be run to obtain NMR structures can be divided into three parts:

1. *front-end* modules, which interact with NMR databases that provide information about assignments, chemical shifts, coupling constants, NOESY intensities, and so on. We have tried to make the general format of the input straightforward enough so that it could be interfaced to a variety of programs. At TSRI, we generally use the FELIX and NMRView codes, but the principles should be similar for other ways of keeping track of a database of NMR spectral information. As the flow-chart on the next page indicates, there are only a few files that need to be created for NMR restraints; these are indicated by the solid rectangles. The primary distance and torsion angle files have a fairly simple format that is largely compatible with the DIANA programs; if one wishes to use information from ambiguous or overlapped peaks, there is an additional "MAP" file that makes a translation from peak identifiers to ambiguous (or partial) assignments. Finally, there are some specialized (but still pretty straightforward) file formats for chemical shift or residual dipolar coupling restraints.

There are a variety of tools, besides the ones described below, that can assist in preparing input for structure refinement in Amber.

- The SANE (Structure Assisted NOE Evaluation) package, <http://ambermd.org/sane.zip>, is widely used at The Scripps Research Institute. [190]

6. NMR and X-ray refinement using SANDER

- If you use Bruce Johnson's NmrView package, you might also want to look at the TSRI additions to that: http://garbanzo.scripps.edu/nmrgrp/wisdom/pipe/tips_scripts.html. In particular, the *xpkTOupl* and *starTOupl* scripts there convert NmrView peak lists into the "7-column" needed for input to makeDIST_RST.
 - Users of the MARDIGRAS programs from UCSF can use the *mardi2amber* program to do conversion to Amber format: <http://picasso.ucsf.edu/mardihome.html>
2. *restrained molecular dynamics*, which is at the heart of the conformational searching procedures. This is the part that *sander* itself handles.
 3. *back-end* routines that do things like compare families of structures, generate statistics, simulate spectra, and the like. For many purposes, such as visualization, or the running of procheck-NMR, the "interface" to such programs is just the set of pdb-format files that contain the family of structures to be analyzed. These general-purpose structure analysis programs are available in many locations and are not discussed here. The principal *sander*-specific tool is *sviol*, which prepares tables and statistics of energies, restraint violations, and the like.

6.1. Distance, angle and torsional restraints

Distance, angle, and other restraints are read from the DISANG file if *nmropt* > 0. Namelist *rst* ("&rst") contains the following variables; it is read repeatedly until a namelist &rst statement is found with IAT(1)=0, or until reaching the end of the DISANG file.

If you wish to include weight changes but have no internal constraints, set *nmropt*=1, but do not include a DISANG line in the file redirection section. (Note that, unlike earlier versions of Amber, the &rst namelists must be in the DISANG file, and not in the *mdin* file.)

In many cases, the user will not prepare this section of the input by hand, but will use the auxiliary programs *makeDIST_RST*, *makeANG_RST* and *makeCHIR_RST* to prepare input from simpler files.

There have been several additions made to restraints in AMBER 10. These additions have only been made to *sander* and not to *pmemd*.

6.1.1. Variables in the &rst namelist:

iat(1)→iat(8)

- If *IRESID* = 0 (*normal operation*): The atoms defining the restraint. Type of restraint is determined (in order) by:
 1. If IAT(3) = 0, this is a distance restraint.
 2. If IAT(4) = 0, this is an angle restraint.
 3. If IAT(5) = 0, this is a torsional (or J-coupling, if desired) restraint or a generalized distance restraint of 4 atoms, a type of restraint new to AMBER10 (*sander* only, see below).

4. If $IAT(6) = 0$, this is a plane-point angle restraint, a second restraint new to AMBER 10 (*sander* only). The angle is measured between the normal of a plane defined by $IAT(1)..IAT(4)$ and the vector from the center of mass of atoms $IAT(1)..IAT(4)$ to the position of $IAT(5)$. The normal is defined by $(r_1 - r_2) \times (r_3 - r_4)$, where r_n is the position of $IAT(n)$.
5. If $IAT(7) = 0$, this is a generalized distance restraint of 6 atoms (see below).
6. Otherwise, if $IAT(1)..IAT(8)$ are all non-zero, this is a plane- plane angle restraint, a third new restraint type for AMBER 10 (*sander* only, or a generalized distance restraint of 8 atoms (see below). For the plane-plane restraint, the angle is measured between the two normals of the two planes, which are defined by $(r_1 - r_2) \times (r_3 - r_4)$ and $(r_5 - r_6) \times (r_7 - r_8)$. In the case of either planar restraint, the plane may be defined using three atoms instead of four simply by using one atom twice.

If any of $IAT(n)$ are < 0 , then a corresponding group of atoms is defined below, and the coordinate- averaged position of this group will be used in place of atom $IAT(n)$. A new feature in AMBER 10, atom groups may be used not only in distance restraints, but also in angle, torsion, the new plane restraints, or the new generalized restraints. If this is a distance restraint, and $IAT1 < 0$, then a group of atoms is defined below, and the coordinate-averaged position of this group will be used in place of the coordinates of atom 1 [$IAT(1)$]. Similarly, if $IAT(2) < 0$, a group of atoms will be defined below whose coordinate-averaged position will be used in place of the coordinates for atom 2 [$IAT(2)$].

- If $IRESID=1$: $IAT(1)..IAT(8)$ point to the *residues* containing the atoms comprising the internal. Residue numbers are the absolute in the entire system. In this case, the variables $ATNAM(1)..ATNAM(8)$ must be specified and give the character names of the atoms within the respective residues. If any of $IAT(n)$ are less than zero, then group input will still be read in place of the corresponding atom, as described below.
- Defaults for $IAT(1) \rightarrow IAT(8)$ are 0.

$rstwt(1) \rightarrow rstwt(4)$ New to AMBER 10 (*sander* only), users may now define a single restraint that is a function of multiple distance restraints, called a "generalized distance coordinate" restraint. The energy of such a restraint has the following form:

$$U = k(w_1|r_1 - r_2| + w_2|r_3 - r_4| + w_3|r_5 - r_6| + w_4|r_7 - r_8| - r_0)^2$$

where the weights w_n are given in $rstwt(1)..rstwt(4)$ and the positions r_n are the positions of the atoms in $iat(1)..iat(8)$.

Generalized distance coordinate restraints must be defined with either 4, 6, or 8 atoms and 2, 3, or 4 corresponding non-zero weights in $rstwt(1)..rstwt(4)$. Weights may be any positive or negative real number.

If all the weights in $rstwt(1)..rstwt(4)$ are zero and four atoms are given in $iat(1)..iat(4)$ for the restraint, the restraint is a torsional or J-coupling restraint. If eight atoms are given in $iat(1)..iat(8)$ and all weights are zero, the restraint is a plane-plane angle restraint. However, if the weights are non-zero, the restraint will be a generalized distance coordinate restraint.

Default for $rstwt(1)..rstwt(4)$ is 0.0

6. NMR and X-ray refinement using SANDER

restraint New to AMBER 10 (*sander* only), users may now use a "natural language" system to define restraints by using the RESTRAINT character variable. Valid restraints defined in this manner will begin with a "distance()" "angle()" "torsion()" or "coordinate()" keyword. Within the parentheses, the atoms that make up the restraint are specified. Atoms may be defined either with an explicit atom number or by using ambmask format, namely :(residue#)@(atom name). Atoms may be separated by commas, spaces, or parentheses. Additionally, negative integers may be used if atom groupings are defined in other variables in the namelist as described below. In addition to the principle distance, angle, torsion, and coordinate keywords, Some keywords may be used within the principle keywords to define more complicated restraints. The keyword "plane()" may be used once or twice within the parentheses of the "angle()" keyword to define a planar restraint. Defining one plane grouping plus one other atom in this manner will create a plane-point angle restraint as described above. Defining two plane groupings will create a plane-plane angle restraint. The keyword "plane()" may only be used inside of "angle()," and is necessary to define either a plane-point or plane-plane restraint.

Within the "coordinate()" keyword, the user must use 2 to 4 "distance()" keywords to define a generalized distance coordinate restraint. The "distance()" keyword functions just like it does when used to define a traditional distance restraint. The user may specify any two atom numbers, masks, or negative numbers corresponding to atom groups defined outside of RESTRAINT. Additionally, following each "distance()" keyword inside "coordinate()" the user must specify a real-number weight to be applied to each distance making up the generalized coordinate.

The "com()" keyword may be used within any other keyword to define a center of mass grouping of atoms. Within the parenthesis, the user will enter a list of atom numbers or masks. Negative numbers, which correspond to externally-defined groups, may not be used.

Any type of parenthetical character, i.e., (), [], or { }, may be used wherever parentheses have been used above.

The following are all examples of valid restraint definitions:

```
restraint = "distance( (45) (49) )"
           = "angle (:21@C5' :21@C4' 108) "
           = "torsion[-1,-1,-1, com(67, 68, 69)]"
           = "angle( -1, plane(81, 85, 87, 90) )"
           = "angle(plane(com(9,10), :5@CA, 31, 32), plane(14, 15, 15, 16) )"
           = "coordinate(distance(:5@C3', :6@O5'), -1.0, distance(134, -1), 1.0) "
```

There is a 256 character limit on RESTRAINT, so if a particularly large atom grouping is desired, it is necessary to specify a negative number instead of "com()" and define the group as described below. RESTRAINT will only be parsed if IAT(1) = 0, otherwise the information in IAT(1) .. IAT(8) will define the restraint. *Default for restraint is ' '.*

atnam If IRESID = 1, then the character names of the atoms defining the internal are contained in ATNAM(1)→ATNAM(8). Residue IAT(1) is searched for atom name

6.1. Distance, angle and torsional restraints

ATNAM(1); residue IAT(2) is searched for atom name ATNAM(2); etc. *Defaults for ATNAM(1)→ATNAM(8) are ' '*.

- iresid Indicates whether IAT(I) points to an atom # or a residue #. See descriptions of IAT() and ATNAM() above. If RESTRAINT is used to define the internal instead of IAT(), IRESID has no effect on how RESTRAINT is parsed. However, it will affect the behavior of atom group definitions as described below if negative numbers are specified within RESTRAINT. *Default = 0.*
- nstep1, nstep2 This restraint is applied for steps/iterations NSTEP1 through NSTEP2. If NSTEP2 = 0, the restraint will be applied from NSTEP1 through the end of the run. Note that the first step/iteration is considered step zero (0). *Defaults for NSTEP1, NSTEP2 are both 0.*
- irstyp Normally, the restraint target values defined below (R1→R4) are used directly. If IRSTYP = 1, the values given for R1→R4 define relative displacements from the current value (value determined from the starting coordinates) of the restrained internal. For example, if IRSTYP=1, the current value of a restrained distance is 1.25, and R1 (below) is -0.20, then a value of R1=1.05 will be used. *Default is IRSTYP=0.*
- ialtd Determines what happens when a distance restraint gets very large. If IALTD=1, then the potential "flattens out", and there is no force for large violations; this allows for errors in constraint lists, but might tend to ignore constraints that *should* be included to pull a bad initial structure towards a more correct one. When IALTD=0 the penalty energy continues to rise for large violations. See below for the detailed functional forms that are used for distance restraints. Set IALTD=0 to recover the behavior of earlier versions of *sander*. Default value is 0, or the last value that was explicitly set in a previous restraint. This value is set to 1 if *makeDIST_RST* is called with the *-altdis* flag.
- ifvari If IFVARI > 0, then the force constants/positions of the restraint will vary with step number. Otherwise, they are constant throughout the run. If IFVARI >0, then the values R1A→R4A, RK2A, and RK3A must be specified (see below). *Default is IFVARI=0.*
- ninc If IFVARI > and NINC > 0, then the change in the target values of of R1→R4 and K2,K3 is applied as a step function, with NINC steps/ iterations between each change in the target values. If NINC = 0, the change is effected continuously (at every step). *Default for NINC is the value assigned to NINC in the most recent namelist where NINC was specified. If NINC has not been specified in any namelist, it defaults to 0.*
- imult If IMULT=0, and the values of force constants RK2 and RK3 are changing with step number, then the changes in the force constants will be linearly interpolated from rk2→rk2a and rk3→rk3a as the step number changes. If IMULT=1 and the force constants are changing with step number, then the changes in the force constants will be effected by a series of multiplicative scalings, using a single factor, R, for all scalings. *i.e.*

6. NMR and X-ray refinement using SANDER

```
rk2a = R**INCREMENTS * rk2
rk3a = R**INCREMENTS * rk3.
```

INCREMENTS is the number of times the target value changes, which is determined by NSTEP1, NSTEP2, and NINC. *Default for IMULT is the value assigned to IMULT in the most recent namelist where IMULT was specified. If IMULT has not been specified in any namelist, it defaults to 0.*

r1→r4, rk2, rk3, r1a→r4a, rk2a, rk3a If IALTD=0, the restraint is a well with a square bottom with parabolic sides out to a defined distance, and then linear sides beyond that. If R is the value of the restraint in question:

- $R < r1$ Linear, with the slope of the "left-hand" parabola at the point $R=r1$.
- $r1 \leq R < r2$ Parabolic, with restraint energy $k_2(R - r_2)^2$.
- $r2 \leq R < r3$ $E = 0$.
- $r3 \leq R < r4$ Parabolic, with restraint energy $k_3(R - r_3)^2$.
- $r4 \leq R$ Linear, with the slope of the "right-hand" parabola at the point $R=r4$.

For torsional restraints, the value of the torsion is translated by $\pm n \cdot 360$, if necessary, so that it falls closest to the mean of $r2$ and $r3$. Specified distances are in Angstroms. Specified angles are in degrees. Force constants for distances are in kcal/mol-Å² Force constants for angles are in kcal/mol-rad². (Note that angle positions are specified in degrees, but force constants are in radians, consistent with typical reporting procedures in the literature).

If IALTD=1, distance restraints are interpreted in a slightly different fashion. Again, If R is the value of the restraint in question:

- $R < r2$ Parabolic, with restraint energy $k_2(R - r_2)^2$.
- $r2 \leq R < r3$ $E = 0$.
- $r3 \leq R < r4$ Parabolic, with restraint energy $k_3(R - r_3)^2$.
- $r4 \leq R$ Hyperbolic, with energy $k_3[b/(R - r_3) + a]$, where $a = 3(r_4 - r_3)^2$ and $b = -2(r_4 - r_3)^3$. This function matches smoothly to the parabola at $R = r_4$, and tends to an asymptote of ak_3 at large R. The functional form is adapted from that suggested by Michael Nilges, *Prot. Eng.* **2**, 27-38 (1988). Note that if *ialtd=1*, the value of $r1$ is ignored.

ifvari

- = 0** The values of $r1 \rightarrow r4$, $rk2$, and $rk3$ will remain constant throughout the run.
- > 0** The values $r1a$, $r2a$, $r3a$, $r4a$, $r2ka$ and $r3ka$ are also used. These variables are defined as for $r1 \rightarrow r4$ and $rk2$, $rk3$, but correspond to the values appropriate for NSTEP = NSTEP2: e.g., if IVARI > 0, then the value of $r1$ will vary between NSTEP1 and NSTEP2, so that, e.g. $r1(\text{NSTEP1}) = r1$ and $r1(\text{NSTEP2}) = r1a$. Note that you *must* specify an explicit value for *nstep1* and *nstep2* if you use this option. *Defaults for $r1 \rightarrow r4, rk2, rk3, r1a \rightarrow r4a, rk2a$ and $rk3a$ are the values assigned to them in the most recent namelist where they were specified. They should always be specified in the first &rst namelist.*

r0, k0, r0a, k0a New to AMBER 10 (*sander* only), the user may more easily specify a large parabolic well if desired by using R0 and K0, and then R0A and K0A if IFVARI > 0. The parabolic well will have its zero at R = R0 and a force constant of K0. These variables simply map the desired parabolic well into r1→r4, rk2, rk3, r1a→r4a, rk2a, and rk3a in the following manner:

- R1 = 0 for distance, angle, and planar restraints, R1 = R0 - 180 for torsion restraints
- R1A = 0 for distance, angle, and planar restraints, R1A = R0A - 180 for torsion restraints
- R2 = R0; R3 = R0
- R2A = R0A; R3A = R0A
- R4 = R0 + 500 for distance restraints, R4 = 180 for angle and planar restraints, R4 = R0 + 180 for torsion restraints
- RK2 = K0; RK3 = K0
- RK2A = K0A; RK3A = K0A

rjcoef(1)→rjcoef(3) By default, 4-atom sequences specify torsional restraints. It is also possible to impose restraints on the vicinal 3 J-coupling value related to the underlying torsion. J is related to the torsion τ by the approximate Karplus relationship: $J = A \cos^2(\tau) + B \cos(\tau) + C$. If you specify a non-zero value for either RJCOEF(1) or RJCOEF(2), then a J-coupling restraint, rather than a torsional restraint, will be imposed. At every MD step, J will be calculated from the Karplus relationship with $A = \text{RJCOEF}(1)$, $B = \text{RJCOEF}(2)$ and $C = \text{RJCOEF}(3)$. In this case, the target values (R1→R4, R1A→R4A) and force constants (RK2, RK3, RK2A, RK3A) refer to J-values for this restraint. RJCOEF(1)→RJCOEF(3) must be set individually for each torsion for which you wish to apply a J-coupling restraint, and RJCOEF(1)→RJCOEF(3) may be different for each J-coupling restraint. With respect to other options and reporting, J-coupling restraints are treated identically to torsional restraints. This means that if time-averaging is requested for torsional restraints, it will apply to J-coupling restraints as well. The J-coupling restraint contribution to the energy is included in the "torsional" total. And changes in the relative weights of the torsional force constants also change the relative weights of the J-coupling restraint terms. Setting RJCOEF has no effect for distance and angle restraints. *Defaults for RJCOEF(1)→RJCOEF(3) are 0.0.*

igr1(i),i=1→200, igr2(i),i=1→200, ... igr8(i),i=1→200 If IAT(n) < 0, then IGRn() gives the atoms defining the group whose coordinate averaged position is used to define "atom n" in a restraint. Alternatively, if RESTRAINT is used to define the internal, then if the nth atom specified is a number less than zero, IGRn() gives the atoms defining the group whose coordinate averaged position is used to define "atom n" in a restraint. If IRESID = 0, absolute atom numbers are specified by the elements of IGRn(). If IRESID = 1, then IGRn(I) specifies the number of the residue containing atom I, and the name of atom I must be specified using GRNAMn(I). A maximum of 200 atoms are allowed in any group. Only specify those atoms that are needed. Default value for any unspecified element of IGRn(i) is 0.

6. NMR and X-ray refinement using SANDER

grnam1(i),i=1→200, grnam2(i),i=1→200, ... grnam8(i),i=1→200 If group input is being specified ($IGR_n(1) > 0$), and $IRESID = 1$, then the character names of the atoms defining the group are contained in $GRNAM_n(i)$, as described above. In the case $IAT(1) < 0$, each residue $IGR1(i)$ is searched for an atom name $GRNAM1(i)$ and added to the first group list. In the case $IAT(2) < 0$, each residue $IGR2(i)$ is searched for an atom name $GRNAM2(i)$ and added to the second group list. *Defaults for $GRNAM_n(i)$ are ' '.*

ir6 If a group coordinate-averaged position is being used (see $IGR1$ and $IGR2$ above), the average position can be calculated in either of two manners: If $IR6 = 0$, center-of-mass averaging will be used. If $IR6=1$, the $\langle r^{-6} \rangle^{-1/6}$ average of all interaction distances to atoms of the group will be used. *Default for $IR6$ is the value assigned to $IR6$ in the most recent namelist where $IR6$ was specified. If $IR6$ has not been specified in any namelist, it defaults to 0.*

ifntyp If time-averaged restraints have been requested (see $DISAVE/ANGAVE/TORAVE$ above), they are, by default, applied to all restraints of the class specified. Time-averaging can be overridden for specific internals of that class by setting $IFNTYP$ for that internal to 1. $IFNTYP$ has no effect if time-averaged restraint are not being used. *Default value is $IFNTYP=0$.*

ixpk, nxpk These are user-defined integers than can be set for each constraint. They are typically the "peak number" and "spectrum number" associated with the cross-peak that led to this particular distance restraint. Nothing is ever done with them except to print them out in the "violation summaries", so that NMR people can more easily go from a constraint violation to the corresponding peak in their spectral database. Default values are zero.

iconstr If $iconstr > 0$, (default is 0) a Lagrangian multiplier is also applied to the two-center internal coordinate defined by $IAT(1)$ and $IAT(2)$. The effect of this Lagrangian multiplier is to maintain the initial orientation of the internal coordinate. The rotation of the vector $IAT(1) \rightarrow IAT(2)$ is prohibited, though translation is allowed. For each defined two-center internal coordinate, a separate Lagrangian multiplier is used. Therefore, although one can use as many multipliers as needed, defining centers should NOT appear in more than one multiplier. This option is compatible with mass centers (i.e., negative $IAT(1)$ or $IAT(2)$). $ICONSTR$ can be used together with harmonic restraints. $RK2$ and $RK3$ should be set to 0.0 if the two-center internal coordinate is a simple Lagrangian multiplier. An example has been included in $\$AMBERHOME/example/lagmul$.

Namelist $\&rst$ is read for each restraint. Restraint input ends when a namelist statement with $iat(1) = 0$ (or $iat(1)$ not specified) is found. Note that comments can precede or follow any namelist statement, allowing comments and restraint definitions to be freely mixed.

6.2. NOESY volume restraints

After the previous section, NOESY volume restraints may be read. This data described in this section is only read if $NMROPT = 2$. The molecule may be broken in overlapping submolecules,

in order to reduce time and space requirements. Input *for each submolecule* consists of namelist "&noexp", followed *immediately* by standard Amber "group" cards defining the atoms in the submolecule. In addition to the submolecule input ("&noexp"), you may also need to specify some additional variables in the cntrl namelist; see the "NMR variables" description in that section.

In many cases, the user will not prepare this section of the input by hand, but will use the auxiliary program *makeDIST_RST* to prepare input from simpler files.

Variables in the &noexp namelist:

For each submolecule, the namelist "&noexp" is read (either from *stdin* or from the NOESY redirection file) which contains the following variables. There are no effective defaults for *npeak*, *emix*, *ihp*, *jhp*, and *aexp*: you must specify these.

npeak(imix) Number of peaks for each of the "imix" mixing times; if the last mixing time is *mxmix*, set `NPEAK(mxmix+1) = -1`. End the input when `NPEAK(1) < 0`.

emix(imix) Mixing times (in seconds) for each mixing time.

ihp(imix,ipeak), *jhp(imix,ipeak)* Atom numbers for the atoms involved in cross-peak "ipeak" at mixing time "imix"

aexp(imix,ipeak) Experimental target integrated intensity for this cross peak. If AEXP is negative, this cross peak is part of a set of overlapped peaks. The computed intensity is added to the peak that follows; the next time a peak with `AEXP > 0` is encountered, the running sum for the calculated peaks will be compared to the value of AEXP for that last peak in the list. In other words, a set of overlapped peaks is represented by one or more peaks with `AEXP < 0` followed by a peak with `AEXP > 0`. The computed total intensity for these peaks will be compared to the value of AEXP for the final peak.

arange(imix,ipeak) "Uncertainty" range for this peak: if the calculated value is within \pm ARANGE of AEXP, then no penalty will be assessed. Default uncertainties are all zero.

awt(imix,ipeak) Relative weight for this cross peak. Note that this will be multiplied by the overall weight given by the NOESY weight change cards in the weight changes section (Section 1). Default values are 1.0, unless `INVWT1,INVWT2` are set (see below), in which case the input values of AWT are ignored.

invwt1,invwt2 Lower and upper bounds on the weights for the peaks respectively, such that the relative weight for each peak is $1/\text{intensity}$ if $1/\text{intensity}$ lies between the lower and upper bounds. This is the intensity after being scaled by *oscale*. The inverse weighing scheme adopted by this option prevents placing too much influence on the strong peaks at the expense of weaker peaks and was previously invoked using the compilation flag "INVWGT". Default values are `INVWT1=INVWT2=1.0`, placing equal weights on all peaks.

omega Spectrometer frequency, in Mhz. Default is 500. It is possible for different sub-molecules to have different frequencies, but omega will only change when it is

6. NMR and X-ray refinement using SANDER

explicitly re-set. Hence, if all of your data is at 600 Mhz, you need only set *omega* to 600. in the first submolecule.

- taurot Rotational tumbling time of the molecule, in nsec. Default is 1.0 nsec. Like *omega*, this value is "sticky", so that a value set in one submolecule will remain until it is explicitly reset.
- taumet Correlation time for methyl jump motion, in ns. This is only used in computing the intra-methyl contribution to the rate matrix. The ideas of Woessner are used, specifically as recommended by Kalk & Berendsen. [191] Default is 0.0001 ns, which is effectively the fast motion limit. The default is consistent with the way the rest of the rate matrix elements are determined (also in the fast motion limit,) but probably is not the best value to use, since methyl groups appear to have T1 values that are systematically shorter than other protons, and this is likely to arise from the fact that the methyl correlation time can be near to the inverse of the spectrometer frequency. A value of 0.02 - 0.05 ns is probably better than 0.0001, but this is still an active research area, and you are on your own here, and should consult the literature for further discussion. [192] As with *omega*, *taumet* can be different for different sub-molecules, but will only change when it is explicitly re-set.
- id2o Flag for determining if exchangeable protons are to be included in the spin-diffusion calculation. If ID2O=0 (default) then all protons are included. If ID2O=1, then all protons bonded to nitrogen or oxygen are assumed to not be present for the purposes of computing the relaxation matrix. No other options exist at present, but they could easily be added to the subroutine *indexn*. Alternatively, you can manually rename hydrogens in the *prmtop* file so that they do not begin with "H": such protons will not be included in the relaxation matrix. (*Note*: for technical reasons, the HOH proton of tyrosine must always be present, so setting ID2O=1 will not remove it; we hope that this limitation will be of minor importance to most users.) The *id2o* variable retains its value across namelist reads, *i.e.* its value will only change if it is explicitly reset.
- oscale overall scaling factor between experimental and computed volume units. The experimental intensities are multiplied by *oscale* before being compared to calculated intensities. This means that the weights WNOESY and AWT always refer to "theoretical" intensity scales rather than to the (arbitrary) experimental units. The *oscale* variable retains its value across namelist reads, *i.e.* its value will only change if it is explicitly reset. The initial (default) value is 1.0.

The atom numbers *ihp* and *jhp* are the absolute atom numbers. For methyl groups, use the number of the last proton of the group; for the delta and epsilon protons of aromatic rings, use the delta-2 or epsilon-2 atom numbers. Since this input requires you to know the absolute atom numbers assigned by Amber to each of the protons, you may wish to use the separate *makeDIST_RST* program which provides a facility for more turning human-readable input into the required file for *sander*.

Following the *&noexp* namelist, give the Amber "group" cards that identify this submolecule. This combination of *&noexp* and "group" cards can be repeated as often as needed for many

submolecules, subject to the limits described in the *nmr.h* file. As mentioned above, this input section ends when $\text{NPEAK}(1) < 0$, or when an end-of-file is reached.

6.3. Chemical shift restraints

After reading NOESY restraints above (if any), read the chemical shift restraints in namelist *&shf*, or the pseudocontact restraints in namelist *&pcshift*. Reading this input is triggered by the presence of a SHIFTS line in the I/O redirection section. In many cases, the user will not prepare this section of the input by hand, but will use the auxiliary programs *makeSHF* or *fantasian* to prepare input from simpler files.

Variables in the *&shf* namelist.

(Defaults are only available for *shrang*, *wt*, *nter*, and *shcut*; you must specify the rest.)

- | | |
|-----------------------------|--|
| nring | Number of rings in the system. |
| natr(<i>i</i>) | Number of atoms in the <i>i</i> -th ring. |
| iatr(<i>j</i> , <i>i</i>) | Absolute atom number for the <i>j</i> -th atom of the <i>i</i> -th ring. |
| namr(<i>i</i>) | Eight-character string that labels the <i>i</i> -th ring. The first three characters give the residue name (in caps); the next three characters contain the residue number (right justified); column 7 is blank; column 8 may optionally contain an extra letter to distinguish the two rings of trp, or the 5 or 8 rings of the heme group. |
| str(<i>i</i>) | Ring current intensity factor for the <i>i</i> -th ring. Older values are summarized by Cross and Wright; [193] more recent empirical parametrizations seem to give improved results. [194, 195] |
| nprot | Number of protons for which penalty functions are to be set up. |
| iprot(<i>i</i>) | Absolute atom number of the <i>i</i> -th proton whose shifts are to be evaluated. For equivalent protons, such as methyl groups or rapidly flipping phenylalanine rings, enter all two or three atom numbers in sequence; averaging will be controlled by the <i>wt</i> parameter, described below. |
| obs(<i>i</i>) | Observed secondary shift for the <i>i</i> -th proton. This is typically calculated as the observed value minus a random coil reference value. |
| shrang(<i>i</i>) | "Uncertainty" range for the observed shift: if the calculated shift is within $\pm\text{SHRANG}$ of the observed shift, then no penalty will be imposed. The default value is zero for all shifts. |
| wt(<i>i</i>) | Weight to be assigned to this penalty function. Note that this value will be multiplied by the overall weight (if any) given by the SHIFTS command in the assignment of weights (above). Default values are 1.0. For sets of equivalent protons, give a negative weight for all but the last proton in the group; the last proton gets a normal, positive value. The average computed shift of the group will be compared to <i>obs</i> entered for the last proton. |

6. NMR and X-ray refinement using SANDER

shcut	Values of calculated shifts will be printed only if the absolute error between calculated and observed shifts is greater than this value. <i>Default = 0.3 ppm.</i>
nter	Residue number of the N-terminus, for protein shift calculations; <i>default = 1.</i>
cter	Residue number of the C-terminus, for protein shift calculations. Believe it or not, the current code cannot figure this out for itself.

6.4. Pseudocontact shift restraints

The PCSHIFT module allows the inclusion of pseudocontact shifts as constraints in energy minimization and molecular dynamics calculations on paramagnetic molecules. The pseudocontact shift depends on the magnetic susceptibility anisotropy of the metal ion and on the location of the resonating nucleus with respect to the axes of the magnetic susceptibility tensor. For the nucleus *i*, it is given by:

$$\delta_{pc}^i = \sum_j \frac{1}{12\pi r_{ij}^3} \left[\Delta\chi_{ax}^j (3n_{ij}^2 - 1) + (3/2)\Delta\chi_{rh}^j (l_{ij}^2 - m_{ij}^2) \right]$$

where l_{ij} , m_{ij} , and n_{ij} are the direction cosines of the position vector of atom *i* with respect to the *j*-th magnetic susceptibility tensor coordinate system, r_{ij} is the distance between the *j*-th paramagnetic center and the proton *i*, $\Delta\chi_{ax}$ and $\Delta\chi_{rh}$ are the axial and the equatorial (rhom-bic) anisotropies of the magnetic susceptibility tensor of the *j*-th paramagnetic center. For a discussion, see Ref. [196].

The PCSHIFT module to be used needs a namelist file which includes information on the magnetic susceptibility tensor and on the paramagnetic center, and a line of information for each nucleus. This module allows to include more than one paramagnetic center in the calculations. To include pseudocontact shifts as constraints in energy minimization and molecular dynamics calculations the NMROPT flag should be set to 2, and a *PCSHIFT=filename* statement entered in the I/O redirection section.

To perform molecular dynamics calculations it is necessary to eliminate the rotational and translational degree of freedom about the center of mass (this because during molecular dynamics calculations the relative orientation between the external reference coordinate system and the magnetic anisotropy tensor coordinate system has to be fixed). This option can be obtained with the NSCM flag of *sander*.

Variables in the pcsshift namelist.

nprot	number of pseudocontact shift constraints.
nme	number of paramagnetic centers.
nmpmc	name of the paramagnetic atom
optphi(n), opttet(n), optomg(n), opta1(n), opta2(n)	the five parameters of the magnetic anisotropy tensor for each paramagnetic center.
optkon	force constant for the pseudocontact shift constraints

Following this, there is a line for each nucleus for which the pseudocontact shift information is given has to be added. Each line contains :

iproton(i) atom number of the i-th proton whose shift is to be used as constraint.
 obs(i) observed pseudocontact shift value, in ppm
 wt(i) relative weight
 tolpro(i) relative tolerance in mltpro
 mltpro(i) multiplicity of the NMR signal (for example the protons of a methyl group have mltpro(i)=3)

Example. Here is a &pcshf namelist example: a molecule with three paramagnetic centers and 205 pseudocontact shift constraints.

```
&pcshf
nprot=205,
nme=3,
nmpcm='FE ',
optphi(1)=-0.315416,
opttet(1)=0.407499,
optomg(1)=0.0251676,
opta1(1)=-71.233,
opta2(1)=1214.511,
optphi(2)=0.567127,
opttet(2)=-0.750526,
optomg(2)=0.355576,
opta1(2)=-60.390,
opta2(2)=377.459,
optphi(3)=0.451203,
opttet(3)=-0.0113097,
optomg(3)=0.334824,
opta1(3)=-8.657,
opta2(3)=704.786,
optkon=30,
iproton(1)=26, obs(1)=1.140, wt(1)=1.000, tolpro(1)=1.00, mltpro(1)=1,
iproton(2)=28, obs(2)=2.740, wt(2)=1.000, tolpro(2)=.500, mltpro(2)=1,
iproton(3)=30, obs(3)=1.170, wt(3)=1.000, tolpro(3)=.500, mltpro(3)=1,
iproton(4)=32, obs(4)=1.060, wt(4)=1.000, tolpro(4)=.500, mltpro(4)=3,
iproton(5)=33, obs(5)=1.060, wt(5)=1.000, tolpro(5)=.500, mltpro(5)=3,
iproton(6)=34, obs(6)=1.060, wt(6)=1.000, tolpro(6)=.500, mltpro(6)=3,
...
...
iproton(205)=1215, obs(205)=.730, wt(205)=1.000, tolpro(205)=.500,
mltpro(205)=1,
/
```

6. NMR and X-ray refinement using SANDER

An mdin file that might go along with this, to perform a maximum of 5000 minimization cycles, starting with 500 cycles of steepest descent. PCSHIFT=./pcs.in redirects the input from the namelist "pcs.in" which contains the pseudocontact shift information.

Example of minimization including pseudocontact shift constraints

```
&cntrl
  ibelly=0,imin=1,ntpr=100,
  ntr=0,maxcyc=500,
  ncyc=50,ntmin=1,dx0=0.0001,
  drms=.1,cut=10.,scee=2.0,
  nmropt=2,pencut=0.1, ipnlty=2,
  /
  &wt type='REST', istep1=0,istep2=1,value1=0.,
  value2=1.0, /
  &wt type='END' /
DISANG=./noe.in
PCSHIFT=./pcs.in
LISTOUT=POUT
```

6.5. Direct dipolar coupling restraints

Energy restraints based on direct dipolar coupling constants are entered in this section. All variables are in the namelist &align; reading of this section is triggered by the presence of a DIPOLE line in the I/O redirection section.

When dipolar coupling restraints are turned on, the five unique elements of the alignment tensor are treated as additional variables, and are optimized along with the structural parameters. Their effective masses are determined by the *scal_m* parameter entered in the &cntrl namelist. Unlike some other programs, the variables used are the Cartesian components of the alignment tensor in the axis system defined by the molecule itself: e.g. $S_{mn} \equiv \langle (3 \cos \theta_m \cos \theta_n - \delta_{mn}) / 2 \rangle$, where θ_x is the angle between the *x* axis and the spectrometer field. [197] The factor of 10^5 is just to make the values commensurate with atomic coordinates, since both the coordinates and the alignment tensor values will be updated during the refinement. The calculated dipolar splitting is then

$$D_{calc} = - \left(\frac{10^{-5} \gamma_i \gamma_j h}{2\pi^2 r_{ij}^3} \right) \sum_{m,n=xyz} \cos \phi_m \cdot S_{mn} \cdot \cos \phi_n$$

where ϕ_x is the angle between the internuclear vector and the *x* axis. Geometrically, the splitting is proportional to the transformation of the alignment tensor onto the internuclear axis. This is just Eqs. (5) and (13) of the above reference, with any internal motion corrections (which might be a part of S_{system}) set to unity. If there is an internal motion correction which is the same for all observations, this can be assimilated into the alignment tensor. The current code does not allow for variable corrections for internal motion. See Ref. [198] for a fuller discussion of these issues.

At the end of the calculation, the alignment tensor is diagonalized to obtain information about its principal components. This allows the alignment tensor to be written in terms of the "axial"

and "rhombic" components that are often used to describe alignment.

Variables in the &align namelist.

- ndip** Number of observed dipolar couplings to be used as restraints.
- id,jd** Atom numbers of the two atoms involved in the dipolar coupling.
- dobsl, dobsu** Limiting values for the observed dipolar splitting, in Hz. If the calculated coupling is less than *dobsl*, the energy penalty is proportional to $(D_{calc} - D_{obs,l})^2$; if it is larger than *dobsu*, the penalty is proportional to $(D_{calc} - D_{obs,lu})^2$. Calculated values between *dobsl* and *dobsu* are not penalized. Note that *dobsl* must be less than *dobsu*; for example, if the observed coupling is -6 Hz, and a 1 Hz "buffer" is desired, you could set *dobsl* to -7 and *dobsu* to -5.
- dwt** The relative weight of each observed value. Default is 1.0. The penalty function is thus:
- $$E_{align}^i = D_{wt}^i (D_{calc}^i - D_{obs(u,l)}^i)^2$$
- where D_{wt} may vary from one observed value to the next. Note that the default value is arbitrary, and a smaller value may be required to avoid overfitting the dipolar coupling data. [198]
- dataset** Each dipolar peak can be associated with a "dataset", and a separate alignment tensor will be computed for each dataset. This is generally used if there are several sets of experiments, each with a different sample or temperature, etc., that would imply a different value for the alignment tensor. By default, there is one dataset to which each observed value is assigned.
- num_datasets** The number of datasets in the constraint list. Default is 1.
- s11,s12,s13,s22,s23** Initial values for the Cartesian components of the alignment tensor. The tensor is traceless, so S33 is calculated as $-(S11+S22)$. In order to have the order of magnitude of the S values be roughly commensurate with coordinates in Angstroms, the alignment tensor values must be multiplied by 10 5 .
- gigj** Product of the nuclear "g" factors for this dipolar coupling restraint. These are related to the nuclear gyromagnetic ratios by $\gamma_N = g_N \beta_N / \hbar$. Common values are $^1\text{H} = 5.5856$, $^{13}\text{C} = 1.4048$, $^{15}\text{N} = -0.5663$, $^{31}\text{P} = 2.2632$.
- dij** The internuclear distance for observed dipolar coupling. If a non-zero value is given, the distance is considered to be fixed at the given value. If a *dij* value is zero, its value is computed from the structure, and it is assumed to be a variable distance. For one-bond couplings, it is usually best to treat the bond distance as "fixed" to an effective zero-point vibration value. [199]
- dcut** Controls printing of calculated and observed dipolar couplings. Only values where $\text{abs}(\text{dobs}(u,l) - \text{dcalc})$ is greater than *dcut* will be printed. Default is 0.1 Hz. Set to a negative value to print all dipolar restraint information.

6. NMR and X-ray refinement using SANDER

freezemol If this is set to *.true.*, the molecular coordinates are not allowed to vary during dynamics or minimization: only the elements of the alignment tensor will change. This is useful to fit just an alignment tensor to a given structure. Default is *.false.*

6.6. Residual CSA or pseudo-CSA restraints

Resonance positions in partially aligned media will be shifted from their positions in isotropic media, and this can provide information that is very similar to residual dipolar coupling constraints. This section shows how to input these sorts of restraints. The entry of the alignment tensor is done as in Section 6.5, so you must have a DIPOLE file (with an *&align* namelist) even if you don't have any RDC restraints. Then, if there is a CSA line in I/O redirection section, that file will be read with the following inputs:

Variables in the *&csa* namelist.

ncsa Number of observed residual CSA peaks to be used as restraints.

icsa,jcsa,kcsa Atom numbers for the csa of interest: *jcsa* is the atom whose $\Delta\sigma$ value has been measured; *icsa* and *kcsa* are two atoms bonded to it, used to define the local axis frame for the CSA tensor. See *amber10/test/pcsa/RST.csa* for examples of how to set these.

cobsl, cobsu Limiting values for the observed residual CSA, in Hz (not ppm or ppb!). If the calculated value of $\Delta\sigma$ is less than *cobsl*, the energy penalty is proportional to $(\Delta\sigma_{calc} - \Delta\sigma_{obs,l})^2$; if it is larger than *cobsu*, the penalty is proportional to $(\Delta\sigma_{calc} - \Delta\sigma_{obs,u})^2$. Calculated values between *cobsl* and *cobsu* are not penalized. Note that *cobsl* must be less than *cobsu*.

cwt The relative weight of each observed value. Default is 1.0. The penalty function is thus:

$$E_{csa}^i = C_{wt}^i (\Delta\sigma_{calc}^i - \Delta\sigma_{obs(u,l)}^i)^2$$

where C_{wt} may vary from one observed value to the next. Note that the default value is arbitrary, and a smaller value may be required to avoid overfitting the data.

datasetc Each residual CSA can be associated with a "dataset", and a separate alignment tensor will be computed for each dataset. This is generally used if there are several sets of experiments, each with a different sample or temperature, etc., that would imply a different value for the alignment tensor. By default, there is one dataset to which each observed value is assigned. The tensors themselves are entered for each dataset in the DIPOLE file.

field Magnetic field (in MHz) for the residual CSA being considered here. This is indexed from 1 to *ncsa*, and is nucleus dependent. For example, if the proton frequency is 600 MHz, then *field* for ^{13}C would be 150, and that for ^{15}N would be 60.

`sigma11`, `sigma22`, `sigma12`, `sigma13`, `sigma23` Values of the CSA tensor (in ppm) for atom *icsa*, in the local coordinate frame defined by atoms *icsa*, *jcsa* and *kcsa*. See *amber10/test/pcsa/RST.csa* for examples of how to set these.

`ccut` Controls printing of calculated and observed residual CSAs. Only values where $\text{abs}(\text{cobs}(u,l) - \text{ccalc})$ is greater than *ccut* will be printed. Default is 0.1 Hz. Set to a negative value to print all information.

The residual CSA facility is new to Amber 10, and has not been used as much as other parts of the NMR refinement package. You should study the example files listed above to see how things work. The residual CSA values should closely match those found by the RAMAH package (<http://www-personal.umich.edu/~hashimi/Software.html>), and testing this should be a first step in making sure you have entered the data correctly.

6.7. Preparing restraint files for Sander

Fig. 6.1 shows the general information flow for auxiliary programs that help prepare the restraint files. Once the restraint files are made, Fig. 6.2 shows a flow-chart of the general way in which *sander* refinements are carried out.

The basic ideas of this scheme owe a lot to the general experience of the NMR community over the past decade. Several papers outline procedures in the Scripps group, from which a lot of the NMR parts of *sander* are derived. [190, 200–204] They are by no means the only way to proceed. We hope that the flexibility incorporated into *sander* will encourage folks to experiment with refinement protocols.

6.7.1. Preparing distance restraints: makeDIST_RST

The *makeDIST_RST* program converts a simplified description of distance bounds into a detailed input for *sander*. A variety of input and output filenames may be specified on the command line:

input:

```
-upb <filename> 7-col file of upper distance bounds, OR
-ual <filename> 8-col file of upper and lower bounds, OR
-vol <filename> 7-col file of NOESY volumes
-pdb <filename> Brookhaven format file
-map <filename> MAP file (default:map.DG-AMBER)
-les <filename> LES atom mappings, made by addles
```

output:

```
-dgm <filename> DGEOM95 restraint format
-rst <filename> SANDER restraint format
-svf <filename> Sander Volume Format, for NOESY refinement
```

other options:

6. NMR and X-ray refinement using SANDER

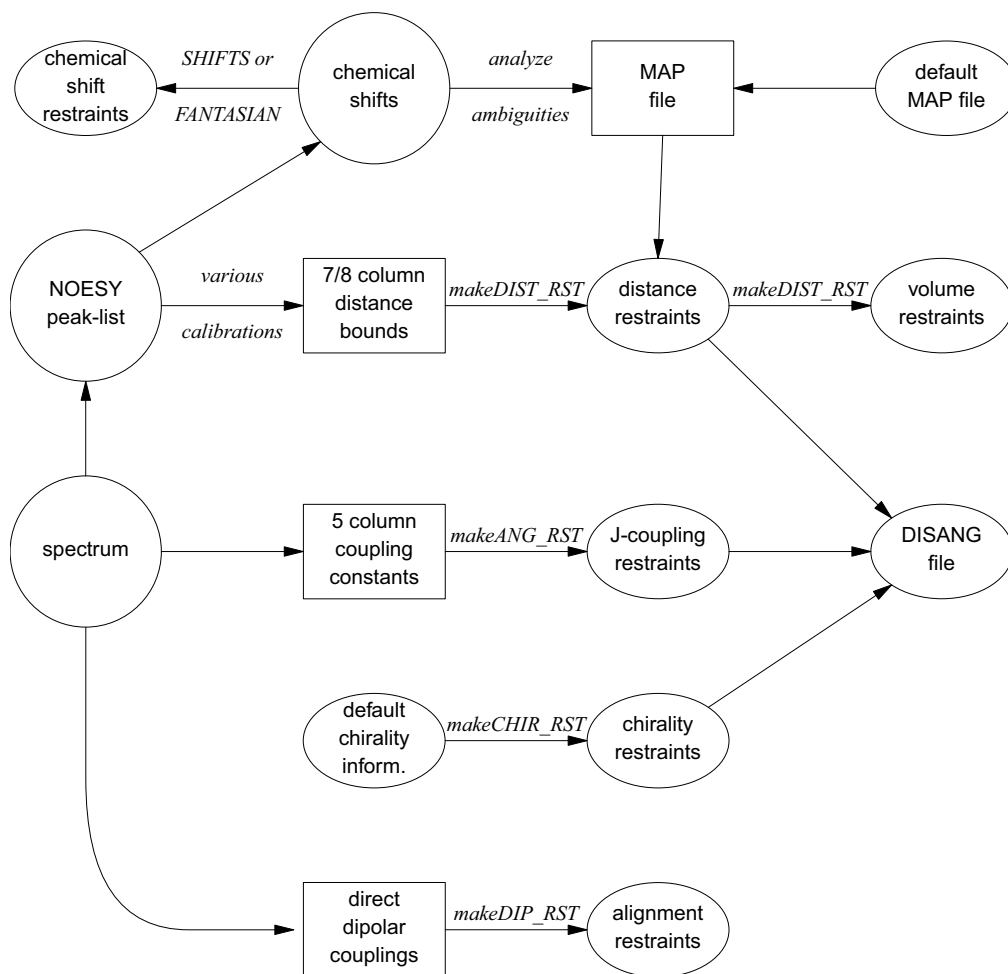


Figure 6.1: Notation: circles represent logical information, whose format might differ from one project to the next; solid rectangles are in a specific format (largely compatible with DIANA and other programs), and are intended to be read and edited by the user; ellipses are specific to sander, and are generally not intended to be read or edited manually. The conversion of NOESY volumes to distance bounds can be carried out by a variety of programs such as mardigras or xpk2bound that are not included with Amber. Similarly, the analysis and partial assignment of ambiguous or overlapped peaks is a separate task; at TSRI, these are typically carried out using the programs xpkasgn and filter.pl

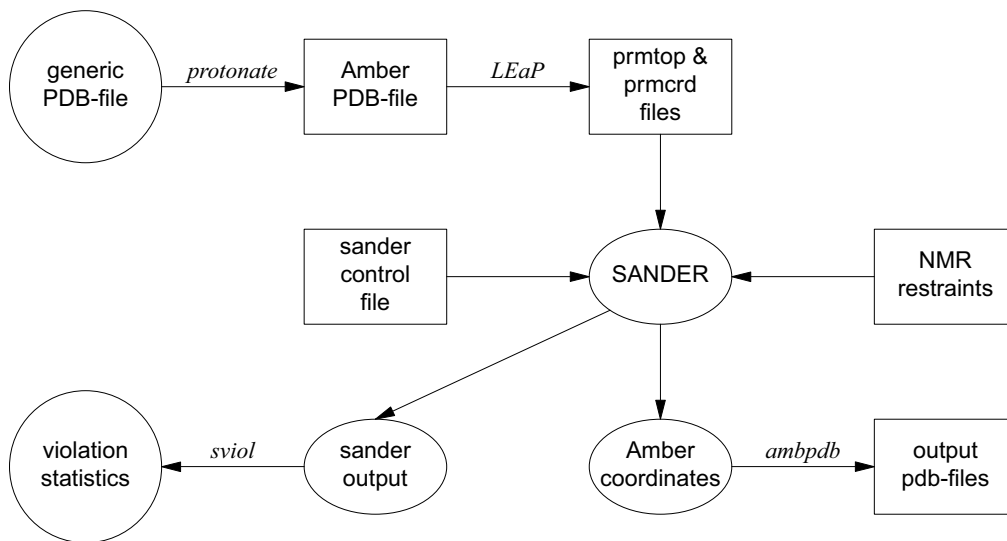


Figure 6.2: General organization of NMR refinement calculations.

```

-help (gives you this explanation, overrides other parameters)
-report (gives you short runtime diagnostic output)
-nocorr (do not correct upper bound for r**6 averaging)
-altdis (use alternative form for the distance restraints)

```

The *7/8 column distance bound* file is essentially that used by the DIANA or DISGEO programs. It consists of one-line per restraint, which would typically look like the following:

```
23 ALA HA 52 VAL H 3.8 # comments go here
```

The first three columns identify the first proton, the next three the second proton, and the seventh column gives the upper bound. Only the first three letters of the residue name are used, so that DIANA files that contain residues like "ASP-" will be correctly interpreted. An alternate, 8-column, format has both upper and lower bounds as the seventh and eighth columns, respectively. A typical line might in an "8-col" file might look like this:

```
23 ALA HA 52 VAL H 3.2 3.8 # comments go here
```

Here the lower bound is 3.2 Å and the upper bound is 3.8 Å. Comments typically identify the spectrum and peak-number or other identification that allow cross-referencing back to the appropriate spectrum. If the comment contains the pattern "<integer>:<integer>", then the first integer is treated as a peak-identifier, and the second as a spectrum-identifier. These identifiers go into the *ixpk* and *npxk* variables, and will later be printed out in *sander*, to facilitate going back to the original spectra to track down violations, etc.

The format for the *-vol* option is the same as for the *-upb* option except that the seventh column holds a peak intensity (volume) value, rather than a distance upper bound.

6. NMR and X-ray refinement using SANDER

The input pdb file must exactly match the Amber *prmtop* file that will be used; use the `ampdb -aatm` command to create this.

If all peaks involved just single protons, and were fully assigned, this is all that one would need. In general, though, some peaks (especially methyl groups or fast-rotating aromatic rings) represent contributions from more than one proton, and many other peaks may not be fully assigned. *Sander* handles both of these situations in the same way, through the notion of an "ambiguous" peak, that may correspond to several assignments. These peaks are given two types of special names in the 7/8-column format file:

1. Commonly-occurring ambiguities, like the lack of stereospecific assignments to two methylene protons, are given names defined in the default MAP file. These names, also more-or-less consistent with DIANA, are like the names of "pseudo-atoms" that have long been used to identify such partially assigned peaks, e.g. "QB" refers to the (HB2,HB3) combination in most residues, and "MG1" in valine refers collectively to the three methyl protons at position CG1, etc.
2. There are generally also molecule-specific ambiguities, arising from potential overlap in a NOESY spectrum. Here, the user assigns a unique name to each such ambiguity or overlap, and prepares a list of the potential assignments. The names are arbitrary, but might be constructed, for example, from the chemical shifts that identify the peak, e.g. "p_2.52" might identify the set of protons that could contribute to a peak at 2.52 ppm. The chemical shift list can be used to prepare a list of potential assignments, and these lists can often be pruned by comparison to approximate or initial structures.

The default and molecule-specific MAP files are combined into a single file, which is used, along with the 7-column restraint file, the the program *makeDIST_RST* to construct the actual *sander* input files. You should consult the help file for *makeDIST_RST* for more information. For example, here are some lines added to the MAP file for a recent TSRI refinement:

```
AMBIG n2:68 = HE 86 HZ 86
AMBIG n2:72 = HE 24 HD 24 HZ 24
AMBIG n2:73 = HN 81 HZ 13 HE 13 HD 13 HZ 24
AMBIG n2:78 = HN 76 HZ 13 HE 13 HZ 24
AMBIG n2:83 = HN 96 HN 97 HD 97 HD 91
AMBIG n2:86 = HD1 66 HZ2 66
AMBIG n2:87 = HN 71 HH2 66 HZ3 66 HD1 66
```

Here the spectrum name and peak number were used to construct a label for each ambiguous peak. Then, an entry in the restraint file might look like this:

```
123 GLY HN 0 AMB n2:68 5.5
```

indicating a 5.5 Å upper bound between the amide proton of Gly 123 and a second proton, which might be either the HE or HZ protons of residue 86. (The "zero" residue number just serves as a placeholder, so that there will be the same number of columns as for non-ambiguous restraints.) If it is possible that the ambiguous list might not be exhaustive (e.g. if some protons have not been assigned), it is safest to set *ialtd*=1, which will allow "mistakes" to be present in

the constraint list. On the other hand, if you want to be sure that every violation is "active", set *ialtd=0*.

If the *-les* flag is set, the program will prepare distance restraints for multiple copies (LES) simulations. In this case, the input pdb file is one *without* LES copies, i.e. with just a single copy of the molecule. The "lesfile" specified by this flag is created by the *addles* program, and contains a mapping from original atom numbers into the copy numbers used in the multiple-copies simulation.

The *-rst* and *-svf* flags specify outputs for *sander*, for distance restraints and NOESY restraints, respectively. In each case, you may need to hand-edit the outputs to add additional parameters. You should make it a habit to compare the outputs with the descriptions given earlier in this chapter to make sure that the restraints are what you want them to be.

It is common to run *makeDIST_RST* several times, with different inputs that correspond to different spectra, different mixing times, etc. It is then expected that you will manually edit the various output files to combine them into the single file required by *sander*.

6.7.2. Preparing torsion angle restraints: *makeANG_RST*

There are fewer "standards" for representing coupling constant information. We have followed the DIANA convention in the program *makeANG_RST*. This program takes as input a five-column torsion angle constraint file along with an Amber pdb file of the molecule. It creates as output (to standard out) a list of constraints in RST format that is readable by Amber.

```
Usage: makeANG_RST -help
makeANG_RST -pdb ambpdb_file [-con constraint] [-lib libfile]
[-les lesfile ]
```

The input torsion angle constraint file can be read from standard in or from a file specified by the *-con* option on the command line. The input constraint file should look something like this:

```
1 GUA PPA 111.5 144.0
2 CYT EPSILN 20.9 100.0
2 CYT PPA 115.9 134.2
3 THY ALPHA 20.4 35.6
4 ADE GAMMA 54.7 78.8
5 GLY PHI 30.5 60.3
6 ALA CHI 20.0 50.0
....
```

Lines beginning with "#" are ignored. The first column is the residue number; the second is the residue name (three letter code, or as defined in your personal torsion library file). Only the first three letters of the residue name are used, so that DIANA files that contain residues like "ASP-" will be correctly interpreted. Third is the angle name (taken from the torsion library described below). The fourth column contains the lower bound, and the fifth column specifies the upper bound. Additional material on the line is (presently) ignored.

Note: It is assumed that the lower bound and the upper bound define a region of allowed conformation on the unit circle that is swept out in a clockwise direction from *lb* → *ub*. If the number in the *lb* column is greater than the the number in the *ub* column, 360° will successively

6. NMR and X-ray refinement using SANDER

be subtracted from the *lb* until $lb < ub$. This preserves the clockwise definition of the allowed conformation space, while also making the number that specifies the lower bound less than the number that specifies the upper bound, as is required by Amber. If this occurs, a warning message will be printed to *stderr* to notify the user that the data has been modified.

The angles that one can constrain in this manner are defined in the library file that can be optionally specified on the command line with the `-lib` flag, or the default library "tordef.lib" (written by Garry P. Gippert) will be used. If you wish to specify your own nomenclature, or add angles that are not already defined in the default file, you should make a copy of this file and modify it to suit your needs. The general format for an entry in the library is:

```
LEU PSI N CA C N+
```

where the first column is the residue name, the second column is the angle name that will appear in the input file when specifying this angle, and the last four columns are the atom names that define the torsion angle. When a torsion angle contains atom(s) from a preceding or succeeding residue in the structure, a "-" or "+" is appended to those atom names in the library, thereby specifying that this is the case. In the example above, the atoms that define PSI for LEU residues are the N, CA, and C atoms of that same LEU and the N atom of the residue after that LEU in the primary structure. Note that the order of atoms in the definition is important and should reflect that the torsion angle rotates about the two central atoms as well as the fact that the four atoms are bonded in the order that is specified in the definition.

If the first letter of the second field is "J", this torsion is assumed to be a J-coupling constraint. In that case, three additional floats are read at the end of the line, giving the A,B and C coefficients for the Karplus relation for this torsion. For example:

```
ALA JHNA H N CA HA 9.5 -1.4 0.3
```

will set up a J-coupling restraint for the HN-HA 3-bond coupling, assuming a Karplus relation with A,B, C as 9.5, -1.4 and 0.3. (These particular values are from Brüschweiler and Case, JACS 116: 11199 (1994).)

This program also supports pseudorotation phase angle constraints for prolines and nucleic acid sugars; each of these will generate restraints for the 5 component angles which correspond to the *lb* and *ub* values of the input pseudorotation constraint. In the torsion library, a pseudorotation definition looks like:

```
PSEUDO CYT PPA NU0 NU1 NU2 NU3 NU4
CYT NU0 C4' O4' C1' C2'
CYT NU1 O4' C1' C2' C3'
CYT NU2 C1' C2' C3' C4'
CYT NU3 C2' C3' C4' O4'
CYT NU4 C3' C4' O4' C1'
```

The first line describes that a PSEUDOrotation angle is to be defined for CYT that is called PPA and is made up of the five angles NU0-NU4. Then the definition for NU0-NU4 should also appear in the file in the same format as the example given above for LEU PSI.

PPA stands for Pseudorotation Phase Angle and is the angle that should appear in the input constraint file when using pseudorotation constraints. The program then uses the definition of that PPA angle in the library file to look for the 5 other angles (NU0-NU4 in this case) which it

then generates restraints for. PPA for proline residues is included in the standard library as well as for the DNA nucleotides.

If the *-les* flag is set, the program will prepare torsion angle restraints for multiple copies (LES) simulations. In this case, the input pdb file is one *without* LES copies, i.e. with just a single copy of the molecule. The "lesfile" specified by this flag is created by the *addles* program, and contains a mapping from original atom numbers into the copy numbers used in the multiple-copies simulation.

Torsion angle constraints defined here cannot span two different copy sets, i.e., there cannot be some atoms of a particular torsion that are in one multiple copy set, and other atoms from the same torsion that are in other copy sets. It *is* OK to have some atoms with single copies, and others with multiple copies in the same torsion. The program will create as many duplicate torsions as there are copies.

A good alternative to interpreting J-coupling constants in terms of torsion angle restraints is to refine directly against the coupling constants themselves, using an appropriate Karplus relation. See the discussion of the variable RJCOEF, above.

6.7.3. Chirality restraints: makeCHIR_RST

```
Usage: makeCHIR_RST <pdb-file> <output-constraint-file>
```

We also find it useful to add chirality constraints and *trans*-peptide ω constraints (where appropriate) to prevent chirality inversions or peptide bond flips during the high-temperature portions of simulated annealing runs. The program *makeCHIR_RST* will create these constraints. Note that you may have to edit the output of this program to change *trans* peptide constraints to *cis*, as appropriate.

6.7.4. Direct dipolar coupling restraints: makeDIP_RST

For simulations with residual dipolar coupling restraints, the *makeDIP_RST.protein*, *makeDIP_RST.dna* and *makeDIP_RST.diana* are simple codes to prepare the input file. Use *-help* to obtain a more detailed description of the usage. For now, this code only handles backbone NH and C α H data. The header specifying values for various parameters needs to be manually added to the output of *makeDIP_RST*.

Use of residual dipolar coupling restraints is new both for Amber and for the general NMR community. Refinement against these data should be carried out with care, and the optimal values for the force constant, penalty function, and initial guesses for the alignment tensor components are still under investigation. Here are some suggestions from the experiences so far:

1. Beware of overfitting the dipolar coupling data in the expense of Amber force field energy. These dipolar coupling data are very sensitive to tiny changes in the structure. It is often possible to drastically improve the fitting by making small distortions in the backbone angles. We recommend inclusion of explicit angle restraints to enforce ideal backbone geometry, especially for those residues that have corresponding residual dipolar coupling data.

6. NMR and X-ray refinement using SANDER

2. The initial values for the Cartesian components of the alignment tensor can influence the final structure and alignment if the structure is not fixed (*ibelly* = 0). For a fixed structure (*ibelly* = 1), these values do not matter. Therefore, the current "best" strategy is to fit the experimental data to the fixed starting structure, and use the alignment tensor[s] obtained from this fitting as the initial guesses for further refinement.
3. Amber is capable of simultaneously fitting more than one set of alignment data. This allows the use of individually obtained datasets with different alignment tensors. However, if the different sets of data have equal directions of alignment but different magnitudes, using an overall scaling factor for these data with a single alignment tensor could greatly reduce the number of fitting parameters.
4. Because the dipolar coupling splittings depend on the square root of the order parameters ($0 \leq S_2 \leq 1$), these order parameters describing internal motion of individual residues are often neglected (N. Tjandra and A. Bax, *Science* **278**, 1111-1113, 1997). However, the square root of a small number can still be noticeably smaller than 1, so this may introduce undesirable errors in the calculations.

6.8. Getting summaries of NMR violations

If you specify LISTOUT=POUT when running *sander*, the output file will contain a lot of detailed information about the remaining restraint violations at the end of the run. When running a family of structures, it can be useful to process these output files with *sviol*, which takes a list of *sander* output files on the command line, and sends a summary of energies and violations to STDOUT. If you have more than 20 or so structures to analyze, the output from *sviol* becomes unwieldy. In this case you may also wish to use *sviol2*, which prints out somewhat less detailed information, but which can be used on larger families of structures. The *senergy* script gives a more detailed view of force-field energies from a series of structures. (We thank the TSRI NMR community for helping to put these scripts together, and for providing many useful suggestions.)

6.9. Time-averaged restraints

The model of the previous sections involves the "single-average-structure" idea, and tries to fit all constraints to a single model, with minimal deviations. A generalization of this model treats distance constraints arising from from NOE crosspeaks (for example) as being the average distance determined from a trajectory, rather than as the single distance derived from an average structure.

Time-averaged bonds and angles are calculated as

$$\bar{r} = (1/C) \left\{ \int_0^t e^{(t-t')/\tau} r(t')^{-i} dt' \right\}^{-1/i} \quad (6.1)$$

where

\bar{r} = time-averaged value of the internal coordinate (distance or angle)

t = the current time

- τ = the exponential decay constant
- $r(t')$ = the value of the internal coordinate at time t'
- i = average is over internals to the inverse of i . Usually $i = 3$ or 6 for NOE distances, and -1 (linear averaging) for angles and torsions.
- C = a normalization integral.

Time-averaged torsions are calculated as

$$\langle \phi \rangle = \tan^{-1} (\langle \sin(\phi) \rangle / \langle \cos(\phi) \rangle)$$

where ϕ is the torsion, and $\langle \sin(\phi) \rangle$ and $\langle \cos(\phi) \rangle$ are calculated using the equation above with $\sin(\phi(t'))$ or $\cos(\phi(t'))$ substituted for $r(t')$.

Forces for time-averaged restraints can be calculated either of two ways. This option is chosen with the DISAVI / ANGAVI / TORAVI commands. In the first (the default),

$$\partial E / \partial x = (\partial E / \partial \bar{r})(\partial \bar{r} / \partial r(t))(\partial r(t) / \partial x) \quad (6.2)$$

(and analogously for y and z). The forces then correspond to the standard flat-bottomed well functional form, with the instantaneous value of the internal replaced by the time-averaged value. For example, when $r_3 < \bar{r} < r_4$,

$$E = k_3(\bar{r} - r_3)^2$$

and similarly for other ranges of \bar{r} .

When the second option for calculating forces is chosen (IINC = 1 on a DISAVI, ANGAVI or TORAVI card), forces are calculated as

$$\partial E / \partial x = (\partial E / \partial \bar{r})(\partial r(t) / \partial x) \quad (6.3)$$

For example, when $r_3 < \bar{r} < r_4$,

$$\partial E / \partial x = 2k_3(\bar{r} - r_3)(\partial r(t) / \partial x)$$

Integration of this equation does not give Eq. 6.2, but rather a non-intuitive expression for the energy (although one that still forces the bond to the target range). The reason that it may sometimes be preferable to use this second option is that the term $\partial \bar{r} / \partial r(t)$, which occurs in the exact expression [Eq. 6.2], varies as $(\bar{r} / r(t))^{1+i}$. When $i=3$, this means the forces can be varying with the fourth power the distance, which can possibly lead to very large transient forces and instabilities in the molecular dynamics trajectory. [Note that this will not be the case when linear scaling is performed, i.e. when $i = -1$, as is generally the case for valence and torsion angles. Thus, for linear scaling, the default (exact) force calculation should be used].

It should be noted that forces calculated using Eq. 6.3 are not conservative forces, and would cause the system to gradually heat up, if no velocity rescaling were performed. The temperature coupling algorithm should act to maintain the average temperature near the target value. At any rate, this heating tendency should not be a problem in simulations, such as fitting NMR data, where MD is being used to sample conformational space rather than to extract thermodynamic data.

This section has described the methods of time-averaged restraints. For more discussion, the interested user is urged to consult studies where this method has been used. [205–209]

6.10. Multiple copies refinement using LES

NMR restraints can be made compatible with the multiple copies (LES) facility; see the following chapter for more information about LES. To use NMR constraints with LES, you need to do two things:

(1) Add a line like "file wnmr name=(lesnmr) wovr" to your input to *addles*. The filename (lesnmr in this example) may be whatever you wish. This will cause *addles* to output an additional file that is needed at the next step.

(2) Add "-les lesnmr" to the command line arguments to *makeDIST_RST*. This will read in the file created by *addles* containing information about the copies. All NMR restraints will then be interpreted as "ambiguous" restraints, so that if any of the copies satisfies the restraint, the penalty goes to zero.

Note that although this scheme has worked well on small peptide test cases, we have yet not used it extensively for larger problems. This should be treated as an experimental option, and users should use caution in applying or interpreting the results.

6.11. Some sample input files

The next few pages contain excerpts from some sample NMR refinement files used at TSRI. The first example just sets up a simple (but often effective) simulated annealing run. You may have to adjust the length, temperature maximum, etc. somewhat to fit your problem, but these values work well for many "ordinary" NMR problems.

6.11.1. 1. Simulated annealing NMR refinement

```
15ps simulated annealing protocol
&cntrl
  nstlim=15000, ntt=1, (time limit, temp. control)
  scee=1.2, (scee must be set - 1-4 scale factor)
  ntp=500, pencut=0.1, (control of printout)
  ipnlty=1, nmropt=1, (NMR penalty function options)
  vlimit=10, (prevent bad temp. jumps)
  ntb=0, (non-periodic simulation)
/
&ewald
  eedmeth=5, (use r dielectric)
/
#
# Simple simulated annealing algorithm:
#
# from steps 0 to 1000: raise target temperature 10->1200K
# from steps 1000 to 3000: leave at 1200K
# from steps 3000 to 15000: re-cool to low temperatures
#
&wt type='TEMP0', istep1=0,istep2=1000,value1=10.,
value2=1200., /
```


6.11. Some sample input files

```
&wt type='TEMP0', istep1=1001, istep2=3000, value1=1200.,
value2=1200.0, /
&wt type='TEMP0', istep1=3001, istep2=15000, value1=0.,
value2=0.0, /
#
# Strength of temperature coupling:
# steps 0 to 3000: tight coupling for heating and equilibration
# steps 3000 to 11000: slow cooling phase
# steps 11000 to 13000: somewhat faster cooling
# steps 13000 to 15000: fast cooling, like a minimization
#
&wt type='TAUTP', istep1=0,istep2=3000,value1=0.2,
value2=0.2, /
&wt type='TAUTP', istep1=3001,istep2=11000,value1=4.0,
value2=2.0, /
&wt type='TAUTP', istep1=11001,istep2=13000,value1=1.0,
value2=1.0, /
&wt type='TAUTP', istep1=13001,istep2=14000,value1=0.5,
value2=0.5, /
&wt type='TAUTP', istep1=14001,istep2=15000,value1=0.05,
value2=0.05, /
#
# "Ramp up" the restraints over the first 3000 steps:
#
&wt type='REST', istep1=0,istep2=3000,value1=0.1,
value2=1.0, /
&wt type='REST', istep1=3001,istep2=15000,value1=1.0,
value2=1.0, /
&wt type='END' /
LISTOUT=POUT (get restraint violation list)
DISANG=RST.f (file containing NMR restraints)
```

The next example just shows some parts of the actual RST file that *sander* would read. This file would ordinarily *not* be made or edited by hand; rather, run the programs *makeDIST_RST*, *makeANG_RST* and *makeCHIR_RST*, combining the three outputs together to construct the RST file.

6.11.2. Part of the RST.f file referred to above

```
# first, some distance constraints prepared by makeDIST_RST:
# (comment line is input to makeRST, &rst namelist is output)
#
#( proton 1 proton 2 upper bound)
#-----
#
# 2 ILE HA 3 ALA HN 4.00
#
```

6. NMR and X-ray refinement using SANDER

```
&rst iat= 23, 40, r3= 4.00, r4= 4.50,
r1 = 1.3, r2 = 1.8, rk2=0.0, rk3=32.0, ir6=1, /
#
# 3 ALA HA 4 GLU HN 4.00
#
&rst iat= 42, 50, r3= 4.00, r4= 4.50, /
#
# 3 ALA HN 3 ALA MB 5.50
#
&rst iat= 40, -1, r3= 6.22, r4= 6.72,
igr1= 0, 0, 0, 0, igr2= 44, 45, 46, 0, /
#
# .....etc.....
#
# next, some dihedral angle constraints, from makeANG_RST:
#
&rst iat= 213, 215, 217, 233, r1=-190.0,
r2=-160.0, r3= -80.0, r4= -50.0, /
&rst iat= 233, 235, 237, 249, r1=-190.0,
r2=-160.0, r3= -80.0, r4= -50.0, /
# .....etc.....
#
# next, chirality and omega constraints prepared by makeCHIR_RST:
#
#
# chirality for residue 1 atoms: CA CG HB2 HB3
&rst iat= 3 , 8 , 6 , 7 ,
r1=10., r2=60., r3=80., r4=130., rk2 = 10., rk3=10., /
#
# chirality for residue 1 atoms: CB SD HG2 HG3
&rst iat= 5 , 11 , 9 , 10 , /
#
# chirality for residue 1 atoms: N C HA CB
&rst iat= 1 , 18 , 4 , 5 , /
#
# chirality for residue 2 atoms: CA CG2 CG1 HB
&rst iat= 22 , 26 , 30 , 25 , /
#
# .....etc.....
# trans-omega constraint for residue 2
&rst iat= 22 , 20 , 18 , 3 ,
r1=155., r2=175., r3=185., r4=205., rk2 = 80., rk3=80., /
#
# trans-omega constraint for residue 3
&rst iat= 41 , 39 , 37 , 22 , /
#
```

```
# trans-omega constraint for residue 4
&rst iat= 51 , 49 , 47 , 41 , /
#
# .....etc.....
#
```

The next example is an input file for volume-based NOE refinement. As with the dist

6.11.3. 3. Sample NOESY intensity input file

```
# A part of a NOESY intensity file:
&noexp
id2o=1, (exchangeable protons removed)
oscale=6.21e-4, (scale between exp. and calc. intensity units)
taumet=0.04, (correlation time for methyl rotation, in ns.)
taurot=4.2, (protein tumbling time, in ns.)
NPEAK = 13*3, (three peaks, each with 13 mixing times)
EMIX = 2.0E-02, 3.0E-02, 4.0E-02, 5.0E-02, 6.0E-02,
8.0E-02, 0.1, 0.126, 0.175, 0.2, 0.25, 0.3, 0.35,
(mixing times, in sec.)
IHP(1,1) = 13*423, IHP(1,2) = 13*1029, IHP(1,3) = 13*421,
(number of the first proton)
JHP(1,1) = 78*568, JHP(1,2) = 65*1057, JHP(1,3) = 13*421,
(number of the second proton)
AEXP(1,1) = 5.7244, 7.6276, 7.7677, 9.3519,
10.733, 15.348, 18.601,
21.314, 26.999, 30.579,
33.57, 37.23, 40.011,
(intensities for the first cross-peak)
AEXP(1,2) = 8.067, 11.095, 13.127, 18.316,
22.19, 26.514, 30.748,
39.438, 44.065, 47.336,
54.467, 56.06, 60.113,
AEXP(1,3) = 7.708, 13.019, 15.943, 19.374,
25.322, 28.118, 35.118,
40.581, 49.054, 53.083,
56.297, 59.326, 62.174,
/
SUBMOL1
RES 27 27 29 29 39 41 57 57 70 70 72 72 82 82 (residues in this submol)
END END
```

Next, we illustrate the form of the file that holds residual dipolar coupling restraints. Again, this would generally be created from a human-readable input using the program *makeDIP_RST*.

6.11.4. Residual dipolar restraints, prepared by makeDIP_RST:

```
&align
```

6. NMR and X-ray refinement using SANDER

```
ndip=91, dcut=-1.0, gigj = 37*-3.1631, 54*7.8467,
s11=3.883, s22=53.922, s12=33.855, s13=-4.508, s23=-0.559,
id(1)=188, jd(1)=189, dobsu(1)= 6.24, dobsl(1)= 6.24,
id(2)=208, jd(2)=209, dobsu(2)= -10.39, dobsl(1)= -10.39,
id(3)=243, jd(3)=244, dobsu(3)= -8.12, dobsl(1)= -8.12,
....
id(91)=1393, jd(91)=1394, dobsu(91)= -19.64, dobsl(91) = -19.64,
/
```

Finally, we show how the detailed input to *sander* could be used to generate a more complicated restraint. Here is where the user would have to understand the details of the RST file, since there are no "canned" programs to create this sort of restraint. This illustrates, though, the potential power of the program.

6.11.5. A more complicated constraint

```
# 1) Define two centers of mass. COM1 is defined by
# {C1 in residue 1; C1 in residue 2; N2 in residue 3; C1 in residue 4}.
# COM2 is defined by {C4 in residue 1; O4 in residue 1; N* in residue 1}.
# (These definitions are effected by the igr1/igr2 and grnam1/grnam2
# variables; You can use up to 200 atoms to define a center-of-mass
# group)
#
# 2) Set up a distance restraint between COM1 and COM2 which goes from a
# target value of 5.0A to 2.5A, with a force constant of 1.0, over steps 1-5000.
#
# 3) Set up a distance restraint between COM1 and COM2 which remains fixed
# at the value of 2.5A as the force slowly constant decreases from
# 1.0 to 0.01 over steps 5001-10000.
#
# 4) Sets up no distance restraint past step 10000, so that free (unrestrained)
# dynamics takes place past this step.
#
&rst iat=-1,-1, nstep1=1,nstep2=5000,
iresid=1,irstyp=0,ifvari=1,ninc=0,imult=0,ir6=0,ifntyp=0,
r1=0.00000E+00,r2=5.0000,r3=5.0000, r4=99.000,rk2=1.0000,rk3=1.0000,
r1a=0.00000E+00,r2a=2.5000,r3a=2.5000, r4a=99.000,rk2a=1.0000,rk3a=1.0000,
igr1 = 2,3,4,5,0, grnam1(1)='C1',grnam1(2)='C1',grnam1(3)='N2',
grnam1(4)='C1', igr2 = 1,1,1,0, grnam2(1)='C4',grnam2(2)='O4',grnam2(3)='N*',
/

&rst iat=-1,-1, nstep1=5001,nstep2=10000,
iresid=1,irstyp=0,ifvari=1,ninc=0,imult=0,ir6=0,ifntyp=0,
r1=0.00000E+00,r2=2.5000,r3=2.5000, r4=99.000,rk2=1.0000,rk3=1.0000,
r1a=0.00000E+00,r2a=2.5000,r3a=2.5000, r4a=99.000,rk2a=1.0000,rk3a=0.0100,
igr1 = 2,3,4,5,0, grnam1(1)='C1',grnam1(2)='C1',grnam1(3)='N2',
grnam1(4)='C1', igr2 = 1,1,1,0, grnam2(1)='C4',grnam2(2)='O4',grnam2(3)='N*',
/
```

6.12. X-ray Crystallography Refinement using SANDER

An interface program links the SANDER and Crystallography and NMR System (CNS) software packages [210] to run QM/MM refinement on X-ray crystal structures, which in many instances will lead to an improvement of X-ray crystal structure quality for medium to low resolution datasets. [211, 212] The QM calculation is enabled by a linear scaling semi-empirical technique, the divide-and-conquer method, allowing large portions of a protein to be studied at a quantum mechanical level of theory while still retaining charge effects from the surrounding protein. [213–215]

SANDER computes forces to make an additional call to the interface program, where the atomic coordinates are output to a scratch file, CNS is then invoked via a system call to calculate the X-ray target function and its gradient in Cartesian space based on the coordinates in the scratch file. In practice, this is accomplished by modifying the CNS input script, minimize.inp. It does not perform minimization but only evaluates and outputs the X-ray target function and gradient based on the input structure. Next the X-ray target function and the gradient deposited in the scratch files are read into SANDER and added to the physical energy and gradient according to following equations. The QM/MM refinement proceeds by minimizing the total target function.

$$E_{total} = E_{chem} + w_{xray}E_{xray}$$

The QM/MM setup in SANDER is discussed in Chapter 3.5. Chapter 10 discusses DivCon. In order to run QM/MM refinement in AMBER, you should have CNS already installed and set up the environment variables for CNS in your shell script. Make sure you can run “cns_solve < minimize.inp > minimize.out” directly from your working directory. Convert the pdb structure factors file into CNS format. Generate the input topology and coordinate files for the CNS refinement. If necessary, construct topology and parameter files for unusual ligands as well. The initial coordinates in the SANDER and CNS input files should be consistent with one another. Provide the necessary (and correct) information about crystal structure in the minimize.inp, such as crystal data, space group, etc. Change the weighting factor (w_{xray}) to balance QM/MM chemical data and the crystallographic data as appropriate.

File Usage

```
sander [-help] [-O] -i qmmin -o qmmout -p prmtop -c inpcrd -x qmmcrd -cns
```

Files for sander	
qmmin	Control data for the QM/MM minimization run
prmtop	Molecular topology, force field, periodic box type, atom and residue names
inpcrd	Initial coordinates
divcon.in	Standard input file for QM/MM calculations
Files for CNS	
minimize.inp	Modified minimization input
protein.cv	Structure factors file in cns format
xref.in	Link file connected between sander and CNS
generate.mtf	Topology file in CNS format
generate.pdb	Initial coordinates in CNS format

Sample inputs and outputs are in the $\$AMBERHOME/test/1vrp_xray$ directory.

6. *NMR and X-ray refinement using SANDER*

7. PMEMD

7.1. Introduction

PMEMD (Particle Mesh Ewald Molecular Dynamics) is a reimplementaion of a subset of sander functionality that has been written with the major goal of improving the performance of the most frequently used methods of sander. In release 10, pmemd supports Particle Mesh Ewald simulations, Generalized Born simulations, and ALPB (Analytical Linearized Poisson-Boltzmann) simulations. The most significant new functionality is support for extra points, or force centers that are not at atomic positions, within a PME context. Thus we now have a fast PME implementation that supports both the TIP4P and TIP5P water models as well as other structures defined in GAFF that require extra points. We also now support the AMOEBA polarizable force field, but in a separate pmemd executable, pmemd.amba, which is basically pmemd 9 with AMOEBA support included (thus other new features of pmemd 10 will not be found in pmemd.amba). The decision was made to branch AMOEBA into a separate executable partly due to its tremendous complexity, and partly because it is not feasible to use the high scaling features of pmemd with AMOEBA, given its design constraints. We recommend trying pmemd.amba on up to about 20 processors. AMOEBA is currently the only supported polarizable forcefield in pmemd. For standard PME simulations performance and scaling with pmemd is significantly better than with sander, and modest gains in performance and scaling have been made in release 10. For Generalized Born and ALPB simulations, not much optimization work has been done yet, but performance is typically better. For the supported functionality, the input required and output produced are intended to exactly replicate sander 10 within the limits of roundoff errors. PMEMD just runs more rapidly, scales better on parallel processors using MPI, can be used profitably on significantly higher numbers of processors, and uses less resident memory. Dynamic memory allocation is used so memory configuration is not required. PMEMD is ideal for molecular dynamics simulations of large solvated systems for long periods of time, especially if supercomputer resources are available. Benchmark data will be posted at the Amber website, amber.scripps.edu, after release.

PMEMD accepts Amber 10 sander input files (mdin, prmtop, inpcrd, refc), and is also backward compatible in regard to input to the same extent as sander 10. All options documented in the sander section of this manual should be properly parsed.

7.2. Functionality

As mentioned above, pmemd is not a complete implementation of sander 10. Instead, it is intended to be a fast implementation of the functionality most likely to be used by someone doing simulations on large solvated systems.

The following functionality is missing entirely:

imin=5 In &cntrl. Trajectory analysis is not supported.

7. PMEMD

nmropt=2 In &cntrl. A variety of NMR-specific options such as NOESY restraints, chemical shift restraints, pseudocontact restraints, and direct dipolar coupling restraints are not supported.

idecomp!=0 In &cntrl. Energy decomposition options, used in conjunction with mm_pbsa, are not supported.

ipol!=0 In &cntrl. Polarizable force field simulations are not supported, other than amoeba, which is supported in pmemd.amba.

igb==10 In &cntrl. Poisson-Boltzmann simulations are not supported.

gbsa!=0 In &cntrl. GB/SA (generalized Born/surface area) simulations are not supported.
In &cntrl. The new format for specifying frozen or restrained atoms, which uses the restraint_wt, restraintmask, and bellymask options, is not supported. This functionality is still supported through use of the Amber 6/7 GROUP format instead.

ntmin>2 In &cntrl. XMIN and LMOD minimization methods are not supported.

isgld!=0 In &cntrl. Self-guided Langevin dynamics is not supported.

noshakemask In &cntrl. The new noshakemask string option is not supported.

Water Caps Water cap simulations are not supported.

ips!=0 In &cntrl. Isotropic Periodic Sum simulations are not supported.

icfe!=0 In &cntrl. Calculation of free energies via thermodynamic integration is not supported.

itgmd!=0 In &cntrl. Targeted molecular dynamics is not supported.

ievb!=0 In &cntrl. Empirical Valence Bond methods are not supported.

ifqnt!=0 In &cntrl. QM/MM methods are not supported.

icnstph!=0 In &cntrl. Constant pH calculations are not supported.

&debugf namelist Use of the &debugf namelist and options it contains is not supported. This functionality is nice for developers but not very useful for production.

ineb!=0 In &cntrl. Nudged elastic band (NEB) calculations are not supported. These calculations are done by sander.MPI.

LES The Locally Enhanced Sampling method is not supported.

REM The Replica-Exchange method is not supported.

iamoeba!=0 In &cntrl. The amoeba polarizable potentials of Ren and Ponder are not supported in pmemd, but ARE supported in pmemd.amba.

The following &ewald options are supported, but only with the indicated default values:

- ew_type=0* Only Particle Mesh Ewald calculations are supported. *ew_type = 1* (regular Ewald calculations) must be done in sander 10.
- nbflag=1* The *nbflag* option is basically ignored, and all nonbonded list updates are scheduled based on "skin" checks. This is more reliable and has little cost. The variable *nsnb* still can be set and has an influence on minimizations. For PME calculations, list building may also be scheduled based on heuristics to suit load balancing requirements in multiprocessor runs.
- nbtell=0* The *nbtell* option is not particularly useful and is ignored.
- eedmeth=1* Only a cubic spline switch function (*eedmeth = 1*) for the direct sum Coulomb interaction is supported. This is the default, and most widely used setting for *eedmeth*. On some machine architectures, we actually spline energies and forces as a function of r^{**2} to a higher precision than the cubic spline switch. One consequence of only supporting *eedmeth 1* is that vacuum simulations cannot be done (though generalized Born nonperiodic simulations are available).
- column_fft=0* This is a sander-specific performance optimization option. PMEMD uses different mechanisms to enhance performance, and ignores this option.

I would strongly suggest that new PMEMD users simply take an existing sander 10 *mdin* file and attempt a short 10-30 step run. The output will tell you whether or not PMEMD will handle the particular problem at hand for all the functionality that is supported by "standard" sander. For functionality that requires special builds of sander or sander-derived executables (LES), there may be failures in namelist parsing.

7.3. PMEMD-specific namelist variables

- mdout_flush_interval* In *&cntrl*, this variable can be used to control the minimum time in integer seconds between "flushes" of the *mdout* file. PMEMD DOES NOT use *flush()* calls at all because *flush* functionality does not work for all fortran compilers used in building *pmemd*. Thus, *pmemd* does an *open/close* cycle on *mdout* at a default minimum interval of 300 seconds. This interval can be changed with this variable if desired in the range of 0-3600. If *mdout_flush_interval* is set to 0, then *mdout* will be reopened and closed for each printed step. This functionality is provided in *pmemd* because some large systems have such large file i/o buffers that *mdout* will have 0 length on the disk through 100's of psec of simulated time. The default of 300 seconds provides a good compromise between efficiency and being able to observe the progress of the simulation.
- mdinfo_flush_interval* In *&cntrl*, this variable can be used to control the minimum time in integer seconds between "flushes" of the *mdinfo* file. PMEMD DOES NOT use *flush()* calls at all because *flush* functionality does not work for all fortran compilers used in building *pmemd*. Thus, *pmemd* does an *open/close* cycle on *mdinfo* at a default minimum interval of 60 seconds. This interval can be changed with this variable if desired in the range of 0-3600. Note that *mdinfo* under *pmemd*

7. PMEMD

simply serves as a heartbeat for the simulation at *mdinfo_flush_interval*, and *mdinfo* probably will not be updated with the last step data at the end of a run. If *mdinfo_flush_interval* is set to 0, then *mdinfo* will be reopened and closed for each printed step.

es_cutoff, *vdw_cutoff* In *&cntrl*, these variables can be used to control the cutoffs used for *vdw* and electrostatic direct force interactions in PME calculations separately. If you specify these variables, you should not specify the *cut* variable, and there is a requirement that *vdw_cutoff* \geq *es_cutoff*. These were introduced anticipating the need to support force fields where the direct force calculations are more expensive. For the current force fields, one can get slightly improved performance and about the same accuracy as one would get using a single cutoff. A good example would be using *vdw_cutoff*=9.0, *es_cutoff*=8.0. For this scenario, one gets about the accuracy in calculations associated with 9.0 angstrom cutoffs, but at a cost intermediate between an 8.0 and a 9.0 angstrom cutoff.

no_intermolecular_bonds In *&cntrl*. New variable controlling molecule definition. If 1, any molecules (ie., molecules as defined by the *prmtop*) joined by a covalent bond are fused to form a single molecule for purposes of pressure and virial-related operations; if 0 then the old behaviour (use *prmtop* molecule definitions) pertains. The default is 1; a value of 0 is not supported with forcefields using extra points. This option was necessitated in order to efficiently parallelize model systems with extra points. This redefinition of molecules actually allows for a more correct treatment of molecules during pressure adjustments and should produce better results with less strain on covalent bonds joining *prmtop*-defined molecules, but if the default value is used for a NTP simulation, results will differ slightly relative to *sander* if any intermolecular bonding was applied in forming the *prmtop* (eg., a *cyx-cyx* bridge was added between two peptides that originated in a *pdb*, with each peptide having its own "TER" card). If consistency with *sander* is more important to you, and you are not using extra points, then you may want to set *no_intermolecular_bonds* to 0.

ene_avg_sampling In *&cntrl*. New variable controlling the number of steps between energy samples used in energy averages. If not specified, then *ntr* is used (default). To match the behaviour of earlier releases, this variable should be set to 1. This variable is only used for MD, not minimization and will also effectively be turned off if *ntave* is in use (non-0) or RESPA is in use (*nrespa* > 1) or if you are not running PME. It is a fairly common situation that it is completely unnecessary to sample the energies every step to get a good average during production, and this is costly in terms of performance. Thus, performance can be improved (with greatest improvements for the ensembles in the order NVE > NVT > NTP) without really losing anything of value by using the new default for energy average sampling (specify nothing).

use_axis_opt In *&ewald*. For parallel runs, the most favorable orientation of an orthogonal unit cell is with the longest side in the Z direction. Starting with *pmemd* 3.00, we were actually reorienting internal coordinates to take advantage of this, and in

high processor count runs on oblong unit cells, using axis optimization can improve performance on the order of 10%. However, if a system has hotspots, the results produced with axes oriented differently may vary by on the order of 0.05% relatively quickly. This effect has to do with the fact that axis optimization changes the order of LOTS of operations and also the fft slab layout, and under mpi if the system has serious hotspots, shake will come up with slightly different coordinate sets. This is really only a problem in pathological situations, and then it is probably mostly telling you that the situation is pathological, and neither set of results is more correct (typically the ewald error term is also high). In routine regression testing with over a dozen tests, axis reorientation has no effect on results. Nonetheless, we have changed defaults recently to be in favor of higher reproducibility of results. Now, axis optimization is only done for mpi runs in which an orthogonal unit cell has an aspect ratio of at least 3 to 2. It is turned off for all minimization runs and for runs in which velocities are randomized ($n_{tt} = 2$ or 3). If you want to force axis optimization, you may set `use_axis_opt = 1` in the `&ewald` namelist. If you set it to 0, you will force it off in scenarios where it would otherwise be used.

fft_grids_per_ang In `&ewald`. This variable may be used to set the desired reciprocal space fft grid density in terms of fft grids/angstrom. The nearest grid dimensions, given the prime factors supported by the underlying fft implementation, that meet or exceed this density will be used (ie., $n_{fft1,2,3}$ are set based on this specification). The default value is 1.0 grids/angstrom and gives very reasonable accuracy. PMEMD is actually more stringent now than sander in that it will meet or exceed the desired density instead of just approximating it. Thus, to get identical results with sander, one may have to specify grid dimensions to be used with the $n_{fft1,2,3}$ variables.

7.4. Slightly changed functionality

An I/O optimization has been introduced into PMEMD. The NTWR default value (frequency of writing the restart file) has been modified such that the default minimum is 500 steps, and this value is increased incrementally for multiprocessor runs. In general, frequent writes of `restrt`, especially in runs with a high processor count, is wasteful. Also, if the `mden` file is being written, it is always written as formatted output, regardless of the value of `ioutfm`. SANDER now conforms to this convention regarding `ioutfm` and `mden`.

In addition, there are two command-line options unique to `pmemd`:

-l <logfile name> A name may be assigned to the log file on the command line.

-suffix <output files suffix> A suffix may now be appended, following a ".", to all the default output file names for a `pmemd` run by simply entering the `-suffix` option. The suffix will apply to `mdout`, `restrt`, `mdcrd`, `mdvel`, `mden`, `mdinfo`, and `logfile` names. However, if an output file name is explicitly provided on the command line, the provided name takes precedence. Entering "`pmemd -suffix foo`" will write `mdout` output to `mdout.foo`, and so on. This provides an easy way to group output files with minimal effort.

7.5. Parallel performance tuning and hints

In order to achieve higher scaling, pmemd 10 has implemented several new algorithms, the most notable of which is the option of using a "block" or pencil fft rather than the usual slab fft algorithm. The block fft algorithm allows the reciprocal space and fft workload to be distributed to more processors, but at a cost of higher communications overhead, both in terms of the distributed fft transpose cost and in terms of communication of the data necessary to set up the fft grids in the first place. A number of variables in the &ewald namelist can be used to control whether the slab or block fft algorithm is used, how the block division occurs, whether direct force work is also assigned to tasks doing reciprocal space and fft work, whether the master is given any force and energy computation work to do, as opposed to being reserved strictly for handling output and loadbalancing, and the frequency of atom ownership reassignment, an operation that counteracts rising communications costs caused by diffusion. The various namelist variables involved have all been assigned defaults that adapt to run conditions, and in general it is probably best that the user just use the defaults and not attempt to make adjustments. However, in some instances, fine tuning may yield slightly better performance. The variables involved include *block_fft*, *fft_blk_y_divisor*, *excl_recip*, *excl_master*, and *atm_redist_freq*. These are described further in the README under pmemd/src as well as in the sourcecode itself.

Performance depends not only on proper setup of hardware and software, but also on making good choices in simulation configuration. There are many tradeoffs between accuracy and cost, as one might expect, and understanding all of these comes with experience. However, I would like to suggest a couple of good choices for your simulations, if you have facilities where you can routinely run at high processor count, say 32 processors or more. First of all, there is an implementation of binary trajectory files in pmemd and sander, based on the netCDF binary file format. This is invoked now using *ioutfm == 1*, assuming you have built either pmemd or sander with "bintraj" support. Using this output format, i/o from the master process will be more efficient and your filesize will be about half what it would otherwise be. In Amber 10, ptraj can read these new netCDF trajectory files, but if you want to visualize them you may have to wait until viewers support the format. At really high processor count though, using this format can be on the order of 10% more efficient than using the standard formatted trajectory output. Secondly, other simulation packages standardly use respa methods as an efficiency measure. These methods basically sample reciprocal space forces for PME less frequently. This can slightly improve performance for pmemd at low processor count, but at higher processor counts using respa actually makes loadbalancing difficult, and there can be a net loss of performance. If you wish to use respa for pme simulations (done typically by setting *nrespa* to 2 or 4), then you should check whether you actually get better performance. You may well not, and it will be at a cost of a loss in accuracy. Using respa for generalized Born simulations is fine in all cases, however.

7.6. Installation

The build process for PMEMD is similar to the build process for the rest of Amber 10, but must be invoked separately in the src/pmemd directory. There is a configure script that generates a *config.h* header that is used in the build process. Generation of *config.h* files is dependent on use of information in the src/pmemd/config_data database. This system is similar to the old

Amber MACHINE files configuration system, but is a bit more automated in that the configure script will set up `config.h` for a lot of common machine setups. The PMEMD installation process has remained separate from the Amber 10 installation process because PMEMD does not support all systems that can be automatically configured by Amber 10, and vice versa. Also, there is an emphasis on performance in PMEMD, and there was a desire to be able to fine tune the optimization process to a larger extent than was possible with the Amber 9 configuration process. Finally, user definition of configuration files in the `src/config_data` database is a fairly simple process, and this allows users to easily target new machines or machines with unusual configuration requirements. For more PMEMD installation details, please read `src/pmemd/README`. Note that `pmemd.amba`, located in `src/pmemd.amba`, must also be built separately. Building `pmemd.amba` even more closely follows the `pmemd 9` build process than does the `pmemd 10` process, as little was changed before the split in the code trees.

7.7. Acknowledgements

This code was developed by Dr. Robert Duke of Prof. Lee Pedersen's Lab at UNC-Chapel Hill and Dr. Tom Darden's Lab at NIEHS, starting from the version of `sander` in Amber 6. I would like to thank Prof. Pedersen for his support in the development of this code, and would also like to acknowledge funding support from NIH grant HL-06350 (PPG) and NSF grant 0121361 (ITR/AP). I would also like to acknowledge Dr. Lalith Perera and Divi Venkateswarlu in the Pedersen Lab for helpful conversations and a willingness to actually use early releases of PMEMD. Since Amber 8 shipped, continued support for development has also come from Dr. Tom Darden and his laboratory at NIEHS in the form of intramural NIH funding. Drs. Tom Darden, Lee Pedersen, Lalith Perera, Coray Colina, Chang Jun Lee, Ping Lin and Vasu Chandrasekaran have all been helpful in providing suggestions and being willing to use early releases of `pmemd 9` and `10`. This work has required the availability of large piles of processors of many different types. I would like to thank UNC-Chapel Hill, the National Institute of Environmental Health Sciences, the Edinburgh Parallel Computing Centre, the Pittsburgh Supercomputing Center, the National Energy Research Scientific Computing Center, the National Center for Supercomputing Applications, the San Diego Supercomputer Center at the University of California, San Diego, the Center for High Performance Computing at the University of Utah, the Texas Advanced Computing Center at the University of Texas, Austin, the Scripps Research Institute, the IBM Blue Gene Capacity on Demand Center in Rochester, Minnesota, and the Intel and SGI Parallel Application Center for making resources available that were used in the development, test, and benchmarking of this software.

When citing PMEMD (Particle Mesh Ewald Molecular Dynamics) in the literature, please use the Amber Version 10 citation given in the Amber 10 manual.

7. *PMEMD*

8. MM_PBSA

The MM_PBSA approach represents the postprocessing method to evaluate free energies of binding or to calculate absolute free energies of molecules in solution. The sets of structures are usually collected with molecular dynamics or Monte Carlo methods. However, the collections of structures should be stored in the format of an AMBER trajectory file. The MM_PBSA/GBSA method combines the molecular mechanical energies with the continuum solvent approaches. The molecular mechanical energies are determined with the *sander* program from AMBER and represent the internal energy (bond, angle and dihedral), and van der Waals and electrostatic interactions. An infinite cutoff for all interactions is used. The electrostatic contribution to the solvation free energy is calculated with a numerical solver for the Poisson-Boltzmann (PB) method, for example, as implemented in the *pbsa* program [69] or by generalized Born (GB) methods implemented in *sander*. Previous MM_PBSA applications were mostly performed with a numerical PB solver in the widely used *DelPhi* program, [71] which has been shown by AMBER developers to be numerically consistent with the *pbsa* program. The nonpolar contribution to the solvation free energy has been determined with solvent-accessible-surface-area-dependent terms. [66] The surface area is computed with Paul Beroza's *molsurf* program, which is based on analytical ideas primarily developed by Mike Connolly. [216] An alternative method for nonpolar solvation energy is also included here (Tan and Luo, in preparation). The new method separates nonpolar contribution into two terms: the attractive (dispersion) and repulsive (cavity) interactions. Doing so significantly improves the correlation between the cavity free energies and solvent accessible surface areas for branched and cyclic organic molecules. [78] This is in contrast to the commonly used strategy that correlates total nonpolar solvation energies with solvent accessible surface areas, which only correlates well for linear aliphatic molecules. [66] In the new method, the attractive interaction is computed by a numerical integration over the solvent accessible surface area that accounts for solute solvent attractive interactions with an infinite cutoff. [79] Finally, estimates of conformational entropies can be made with the *nmode* module from AMBER.

Although the basic ideas here have many precedents, the first application of this model in its present form was to the A- and B-forms of RNA and DNA, where many details of the basic method are given. [217] You may also wish to refer to a review summarizing many of the initial applications of this model, [218] as well as to papers describing more recent applications. [219–223]

The initial MM_PBSA scripts were written by Irina Massova. These were later modified and mostly turned into Perl scripts by Holger Gohlke, who also added GB/SA (generalized Born/surface area) options, and techniques to decompose energies into pairwise contributions from groups (where possible).

8. MM_PBSA

8.1. General instructions

The general procedure is to edit the *mm_pbsa.in* file (see below), and then to run the code as follows:

```
mm_pbsa.pl mm_pbsa.in > mm_pbsa.log
```

The *mm_pbsa.in* file refers to "receptor", "ligand" and "complex", but the chemical nature of these is up to the user, and these could equally well be referred to as "A", "B", and "AB". The procedure can also be used to estimate the free energy of a single species, and this is usually considered to be the "receptor".

The user also needs to prepare *prmtop* files for receptor, ligand, and complex using LEaP; if you are just doing "stability" calculations, only one of the *prmtop* files is required.

The output files are labeled ".out", and the most useful summaries are in the "statistics.out" files. These give averages and standard deviations for various quantities, using the following labeling scheme:

```
*** Abbreviations for mm_pbsa output ***
ELE - non-bonded electrostatic energy + 1,4-electrostatic energy
VDW - non-bonded van der Waals energy + 1,4-van der Waals energy
INT - bond, angle, dihedral energies
GAS - ELE + VDW + INT
PBSUR - hydrophobic contrib. to solv. free energy for PB calculations
PBCAL - reaction field energy calculated by PB
PBSOL - PBSUR + PBCAL
PBELE - PBCAL + ELE
PBTOT - PBSOL + GAS
GBSUR - hydrophobic contrib. to solv. free energy for GB calculations
GB - reaction field energy calculated by GB
GBSOL - GBSUR + GB
GBELE - GB + ELE
GBTOT - GBSOL + GAS
TSTRA - translational entropy (as calculated by nmode) times temperature
TSROT - rotational entropy (as calculated by nmode) times temperature
TSVIB - vibrational entropy (as calculated by nmode) times temperature
*** Prefixes in front of abbreviations for energy decomposition ***
"T" - energy part due to _T_otal residue
"S" - energy part due to _S_idechain atoms
"B" - energy part due to _B_ackbone atoms
```

The *\$AMBERHOME/src/mm_pbsa/Examples* directory shows examples of running a "Stability" calculation (*i.e.*, estimating the free energy of one species), a "Binding" calculation (estimating ΔG for $A + B \rightarrow AB$), an "Nmode" calculation (to estimate entropies), and two examples of how total energies can be decomposed (either by residue, or pair-wise by residue). You should study the inputs and outputs in these directories to see how the program is typically used.

8.2. Input explanations

Below is a description of the input parameters for MM-PB/SA. A sample file can be found at `$AMBERHOME/src/mm_pbsa/Examples/mm_pbsa.in`. The input file is structured into sections for different purposes. The parameters in the general section control which kind of operations are executed. Additional parameters for the chosen operations have to be defined in the later sections.

8.2.1. General

VERBOSE If set to 1, input and output files are not removed. This is useful for debugging purposes.

specifying snapshot location and naming

PREFIX To the prefix of the snapshots, "{_com, _rec, _lig}.crd.Number" is added during generation of snapshots as well as during mm_pbsa calculations.

PATH Specifies the location where to store or get snapshots.

selecting subsets of snapshots

START Specifies the first snapshot to be used in energy calculations (optional, default is 1).

STOP Specifies the last snapshot to be used in energy calculations (optional, default is 10e10).

OFFSET Specifies the offset between snapshots in energy calculations (optional, default is 1).

calculation of energy differences or absolute energies

COMPLEX Set to 1 if free energy difference is calculated.

RECEPTOR Set to 1 if either (absolute) free energy or free energy difference are calculated.

LIGAND Set to 1 if free energy difference is calculated.

selection of parameter and topology files

COMPT Parmtop file for the complex (not necessary for option GC).

RECPT Parmtop file for the receptor (not necessary for option GC).

LIGPT Parmtop file for the ligand (not necessary for option GC).

8. MM_PBSA

specification of operations/calculations

GC	Snapshots are generated from trajectories (see below).
AS	Residues are mutated during generation of snapshots from trajectories.
DC	Decompose the free energies into individual contributions (only works with MM, GB and PB with the pbsa program of AMBER).
MM	Calculation of gas phase energies using sander.
GB	Calculation of desolvation free energies using the GB models in sander (see below).
PB	Calculation of desolvation free energies using delphi (see below). Calculation of nonpolar solvation free energies according to the NPOPT option in pbsa (see below).
MS	Calculation of nonpolar contributions to desolvation using molsurf (see below). If MS = 0 and GB = 1, nonpolar contributions are calculated with the LCPO method in sander. If MS = 0 and PB = 1, nonpolar contributions are calculated according to the NPOPT option in pbsa (see below).
NM	Calculation of entropies with nmode.

8.2.2. Energy Decomposition Parameters

Energy decomposition is performed for gasphase energies, desolvation free energies calculated with GB or PB (using the pbsa program of AMBER), and nonpolar contributions to desolvation using the LCPO method. For amino acids and nucleotides, decomposition is also performed with respect to backbone and sidechain atoms. When doing a pairwise decomposition of the PB reaction field energy, one should note that for each included residue the PB equation has to be solved once per snapshot. Also a further decomposition into backbone and sidechain contributions has not been implemented for a pairwise PB decomposition.

specification of decomposition modus

DCTYPE	Values of 1 or 2 yield a decomposition on a per-residue basis. Values of 3 or 4 yield a decomposition on a pairwise basis. So far the number of pairs must not exceed the number of residues in the molecule considered. Values 1 or 3 add 1-4 interactions to bond contributions. Values 2 or 4 add 1-4 interactions to either electrostatic or vdW contributions.
--------	--

residue assignment

COMREC	Residues belonging to the receptor molecule IN THE COMPLEX.
COMLIG	Residues belonging to the ligand molecule IN THE COMPLEX.
RECRES	Residues in the receptor molecule.

LIGRES Residues in the ligand molecule.

{REC,LIG}MAP Residues in the complex which are equivalent to the residues in the receptor molecule or the ligand molecule.

output filter

{COM,REC,LIG}PRI Residues considered for output.

8.2.3. Poisson-Boltzmann Parameters

The following parameters are passed to the PB solver. Additional input parameters may also be added here. See the sander PB documentation for more options.

PROC Determines which method is used for solving the PB equation. By default (PROC = 2) the pbsa program of the AMBER suite is used.

REFE Determines which reference state is taken for the PB calculation. By default (REFE = 0) reaction field energy is calculated with EXDI/INDI. Here, INDI must agree with DIELC from the MM section.

INDI Dielectric constant for the solute.

EXDI Dielectric constant for the surrounding solvent.

ISTRNG Ionic strength (in mM) for the Poisson-Boltzmann solvent.

PRBRAD Solvent probe radius in Angstrom:

1.4 with the radii in the prmtop files (default);

1.6 with the radii optimized by Tan and Luo (in preparation).

See RADIOPT on how to choose a cavity radii set.

RADIOPT Option to set up radii for PB calc:

0 uses the radii from the prmtop file (default);

1 uses the radii optimized by Tan and Luo (in preparation) with respect to the reaction field energies computed in the TIP3P explicit solvents. Note that these optimized radii are based on AMBER atom types (upper case) and charges. Radii from the ~.prmtop files are used if the atom types are defined by antechamber (lower case).

SCALE Lattice spacing in number of grids per Angstrom.

LINIT Number of iterations with the linear PB equation.

8. MM_PBSA

hybrid solvation model

IVCAP If set to 1, a solvent sphere (specified by CUTCAP, XCAP, YCAP, and ZCAP) is excised from a box of water.

If set to 5, a solvent shell is excised, specified by CUTCAP (the thickness of the shell in Å). The electrostatic part of the solvation free energy is estimated from a linear response approximation using the explicit water plus a reaction field contribution from outside the sphere (i.e., a hybrid solvation approach is pursued).

In addition, the nonpolar contribution is estimated from a sum of (attractive) dispersion interactions calculated between the solute and the solvent molecules plus a (repulsive) cavity contribution. For the latter, the surface calculation must be done with MS = 1 and the PROBE should be set to 1.4 to get the solvent excluded surface.

CUTCAP Radius of the water sphere or thickness of the water shell. Note that the sphere must enclose the whole solute.

XCAP/YCAP/ZCAP Location of the center of the water sphere.

NPOPT Option for modeling nonpolar solvation free energy. See sander PB documentation for more information on the implementations by Tan and Luo (in preparation).

1: uses the solvent-accessible-surface area to correlate total nonpolar solvation free energy: $G_{np} = SURFTEN * SASA + SURFOFF$. Default.

2: uses the solvent-accessible-surface area to correlate the repulsive (cavity) term only, and uses a surface-integration approach to compute the attractive (dispersion) term: $G_{np} = G_{disp} + G_{cavity} = G_{disp} + SURFTEN * SASA + SURFOFF$. When this option is used, RADIOPT has to be set to 1, i.e. the radii set optimized by Tan and Luo to mimic G_{np} in TIP3P explicit solvents. Otherwise, there is no guarantee that G_{np} matches that in explicit solvents.

nonpolar solvation

SURFTEN/SURFOFF Values used to compute the nonpolar contribution G_{np} to the desolvation according to either

(I) $G_{np} = SURFTEN * SASA + SURFOFF$ (if IVCAP = 0) or

(II) $G_{np} = G_{disp} + G_{cavity} = G_{disp} + SURFTEN * SASA + SURFOFF$ (if IVCAP > 0).

In the case of (I), use parameters that fit with the radii from the reaction field calculation. E.g., use SURFTEN: 0.00542, SURFOFF: 0.92 for PARSE radii or use SURFTEN: 0.005, SURFOFF: 0.86 for Tan & Luo radii. In the case of (II), use SURFTEN: 0.069; SURFOFF: 0.00 for calculating the G_{cavity} contribution.

8.2.4. Molecular Mechanics Parameters

The following parameters are passed to sander. For further details see the sander documentation.

DIELC Dielectric constant for electrostatic interactions. Note: This is not related to GB calculations.

8.2.5. Generalized Born Parameters

IGB Switches between Tsui's GB (1) and Onufriev's GB (2, 5).

GBSA Switches between LCPO (1) and ICOSA (2) method for SASA calculation. Decomposition only works with ICOSA.

SALTCON Concentration (in M) of 1-1 mobile counterions in solution.

EXTDIEL Dielectric constant for the solvent.

INTDIEL Dielectric constant for the solute.

SURFTEN/SURFOFF Values used to compute the nonpolar contribution G_{np} to the desolvation free energy according to $G_{np} = SURFTEN * SASA + SURFOFF$.

8.2.6. Molsurf Parameters

PROBE Radius of the probe sphere used to calculate the SAS. In general, since Bondi radii are already augmented by 1.4Å, PROBE should be 0.0 In IVCAP = 1 or 5, the solvent excluded surface is required for calculating the cavity contribution. Bondi radii are not augmented in this case and PROBE should be 1.4.

8.2.7. NMODE Parameters

The following parameters are passed to sander (for minimization) and nmode (for entropy calculation using gasphase statistical mechanics). For further details see documentation.

DIELC (Distance-dependent) dielectric constant.

MAXCYC Maximum number of cycles of minimization.

DRMS Convergence criterion for the energy gradient.

8.2.8. Parameters for Snapshot Generation

BOX "YES": means that periodic boundary conditions were used during MD simulation and that box information has been printed in the trajectory files; "NO": means opposite.

NTOTAL Total number of atoms per snapshot printed in the trajectory file (including water, ions, ...).

8. *MM_PBSA*

NSTART Start structure extraction from NSTART snapshot.

NSTOP Stop structure extraction at NSTOP snapshot.

NFREQ Every NFREQ structure will be extracted from the trajectory.

NUMBER_LIG_GROUPS Number of subsequent LSTART/LSTOP combinations to extract atoms belonging to the ligand.

LSTART Number of first ligand atom in the trajectory entry.

LSTOP Number of last ligand atom in the trajectory entry.

NUMBER_REC_GROUPS Number of subsequent RSTART/RSTOP combinations to extract atoms belonging to the receptor.

RSTART Number of first receptor atom in the trajectory entry.

RSTOP Number of last receptor atom in the trajectory entry.

Note: If only one molecular species is extracted, use only the receptor parameters (NUMBER_REC_GROUPS, RSTART, RSTOP).

8.2.9. Parameters for Alanine Scanning

The following parameters are additionally passed to `make_crd_hg` in conjunction with the ones from the snapshot generation section if "alanine scanning" is requested. The description of the parameters is taken from Irina Massova.

NUMBER_MUTANT_GROUPS Total number of mutated residues. For each mutated residue, the following four parameters must be given subsequently.

MUTANT_ATOM1 If residue is mutated to Ala then this is: a pointer on the CG atom of the mutated residue for all residues except Thr, Ile and Val; a pointer to CG2 if Thr, Ile or Val residue is mutated to Ala; or a pointer to OG if Ser residue is mutated to Ala. If residue is mutated to Gly then this is a pointer on CB.

MUTANT_ATOM2 If residue is mutated to Ala then this is: zero for all mutated residues except Thr, Val, and Ile; a pointer on OG1 if Thr residue is mutated to Ala; or a pointer on CG1 if Val or Ile residue is mutated to Ala. If residue is mutated to Gly then this should be always zero.

MUTANT_KEEP A pointer on the C atom (carbonyl atom) for the mutated residue.

MUTANT_REFERENCE If residue is mutated to Ala then this is a pointer on CB atom for the mutated residue. If residue is mutated to Gly then this is a pointer on CA atom for the mutated residue.

Note: The method will not work for a smaller residue mutation to a bigger for example Gly -> Ala mutation. Note: Maximum number of the simultaneously mutated residues is 40.

8.2.10. Trajectory Specification

The specified trajectories are used to extract snapshots with "make_crd_hg"

TRAJECTORY Each trajectory file name must be preceded by the **TRAJECTORY** card. Subsequent trajectories are considered together. Trajectories may be in ascii as well as in .gz format. To be able to identify the title line, it must be identical in all files.

8.3. Preparing the input file

Below is a prototype *mm_pbsa.in* file; items in boldface would typically vary from run to run.

```

#
# Input parameters for mm_pbsa.pl
#
# Holger Gohlke
# 08.01.2002
#
#####
@GENERAL
#
# General parameters
# 0: means NO; >0: means YES
#
# mm_pbsa allows to calculate (absolute) free energies for one molecular
# species or a free energy difference according to:
#
# Receptor + Ligand = Complex,
#  $\Delta G = G(\text{Complex}) - G(\text{Receptor}) - G(\text{Ligand})$ .
#
# VERBOSE - If set to 1, input and output files are not removed. This is useful for
# debugging purposes.
#
# PREFIX - To the prefix, "{_com, _rec, _lig}.crd.Number" is added during
# generation of snapshots as well as during mm_pbsa calculations.
# PATH - Specifies the location where to store or get snapshots.
# START - Specifies the first snapshot to be used in energy calculations
#         (optional, defaults to 1).
# STOP - Specifies the last snapshot to be used in energy calculations
#        (optional, defaults to 10e10).
# OFFSET - Specifies the offset between snapshots in energy calculations
#          (optional, defaults to 1).
#
# COMPLEX - Set to 1 if free energy difference is calculated.
# RECEPTOR - Set to 1 if either (absolute) free energy or free energy
# difference are calculated.
# LIGAND - Set to 1 if free energy difference is calculated.
#
# COMPT - parmtop file for the complex (not necessary for option GC).
# RECPT - parmtop file for the receptor (not necessary for option GC).
# LIGPT - parmtop file for the ligand (not necessary for option GC).
#
# GC - Snapshots are generated from trajectories (see below).
# AS - Residues are mutated during generation of snapshots from trajectories.

```

8. MM_PBSA

```
# DC - Decompose the free energies into individual contributions
# (only works with MM and GB).
#
# MM - Calculation of gas phase energies using sander.
# GB - Calculation of desolvation free energies using the GB models in sander
# (see below).
# PB - Calculation of polar solvation free energies by using pbsa (see below).
# Calculation of nonpolar solvation free energies according to
# the NPOPT option in pbsa (see below).
# MS - Calculation of nonpolar contributions to desolvation using molsurf
# (see below).
# If MS == 0 and GB == 1, nonpolar contributions are calculated with the
# LCPO method in sander.
# If MS == 0 and PB == 1, nonpolar contributions are calculated according
# the NPOPT option in pbsa (see below).
# NM - Calculation of entropies with nmode.
#
VERBOSE 0
#
PREFIX snapshot
PATH ./
START 1
STOP 5
OFFSET 1
#
COMPLEX 1
RECEPTOR 1
LIGAND 1
#
COMPT ./parm_com.top
RECPT ./parm_rec.top
LIGPT ./parm_lig.top
#
GC 0
AS 0
DC 0
#
MM 1
GB 0
PB 1
MS 0
#
NM 0
#
#####
@DECOMP
#
# Energy decomposition parameters (this section is only relevant if DC = 1 above)
#
# Energy decomposition is performed for gasphase energies, desolvation free
# energies calculated with GB, and nonpolar contributions to desolvation
# using the LCPO method.
# For amino acids, decomposition is also performed with respect to backbone
# and sidechain atoms.
#
# DCTYPE - Values of 1 or 2 yield a decomposition on a per-residue basis,
# values of 3 or 4 yield a decomposition on a pairwise per-residue
# basis. For the latter, so far the number of pairs must not
```


8.3. Preparing the input file

```
# exceed the number of residues in the molecule considered.
# Values 1 or 3 add 1-4 interactions to bond contributions.
# Values 2 or 4 add 1-4 interactions to either electrostatic or vdW
# contributions.
#
# COMREC - Residues belonging to the receptor molecule IN THE COMPLEX.
# COMLIG - Residues belonging to the ligand molecule IN THE COMPLEX.
# RECRES - Residues in the receptor molecule.
# LIGRES - Residues in the ligand molecule.
# {COM,REC,LIG}PRI - Residues considered for output.
# {REC,LIG}MAP - Residues in the complex which are equivalent to the residues
# in the receptor molecule or the ligand molecule.
#
DCTYPE 2
#
COMREC 1-166 254-255
COMLIG 167-253
COMPRI 1-255
RECRES 1-168
RECPRI 1-168
RECMAP 1-166 254-255
LIGRES 1-87
LIGPRI 1-87
LIGMAP 167-253
#####
@PB
#
# PB parameters (this section is only relevant if PB = 1 above)
#
# The following parameters are passed to the PB solver.
# Additional input parameters may also be added here. See the sander PB
# documentation for more options.
#
# PROC - Determines which method is used for solving the PB equation:
# By default, PROC = 2, the pbsa program of the AMBER suite is used.
# REFE - Determines which reference state is taken for PB calc:
# By default, REFE = 0, reaction field energy is calculated with
# EXDI/INDI. Here, INDI must agree with DIELC from MM part.
# INDI - Dielectric constant for the solute.
# EXDI - Dielectric constant for the surrounding solvent.
# ISTRNG - Ionic strength (in mM) for the Poisson-Boltzmann solvent.
# PRBRAD - Solvent probe radius in Angstrom:
# 1.4: with the radii in the prmtop files. Default.
# 1.6: with the radii optimized by Tan and Luo (In preparation).
# See RADIOPT on how to choose a cavity radii set.
# RADIOPT - Option to set up radii for PB calc:
# 0: uses the radii from the prmtop file. Default.
# 1: uses the radii optimized by Tan and Luo (In preparation)
# with respect to the reaction field energies computed
# in the TIP3P explicit solvents. Note that optimized radii
# are based on AMBER atom types (upper case) and charges.
# Radii from the prmtop files are used if the atom types
# are defined by antechamber (lower case).
# SCALE - Lattice spacing in no. of grids per Angstrom.
# LINIT - No. of iterations with linear PB equation.
# IVCAP - If set to 1, a solvent sphere (specified by CUTCAP, XCAP, YCAP,
# and ZCAP) is excised from a box of water. If set to 5, a solvent shell
# is excised, specified by CUTCAP (the thickness of the shell in A).
```

8. MM_PBSA

```
# The electrostatic part
# of the solvation free energy is estimated from a linear response
# approximation using the explicit water plus a reaction field
# contribution from outside the sphere (i.e., a hybrid solvation approach
# is pursued). In addition, the nonpolar
# contribution is estimated from a sum of (attractive) dispersion
# interactions calc. between the solute and the solvent molecules
# plus a (repulsive) cavity contribution. For the latter,
# the surface calculation must be done with MS = 1 and the PROBE should
# be set to 1.4 to get the solvent excluded surface.
# CUTCAP - Radius of the water sphere or thickness of the water shell.
# Note that the sphere must enclose the whole solute.
# XCAP - Location of the center of the water sphere.
# YCAP
# ZCAP
#
# NP Parameters for nonpolar solvation energies if MS = 0
#
# NPOPT - Option for modeling nonpolar solvation free energy.
# See sander PB documentation for more information on the
# implementations by Tan and Luo (In preparation).
# 1: uses the solvent-accessible-surface area to correlate total
# nonpolar solvation free energy:
# Gnp = CAVITY_SURFTEN * SASA + CAVITY_OFFSET. Default.
# 2: uses the solvent-accessible-surface area to correlate the
# repulsive (cavity) term only, and uses a surface-integration
# approach to compute the attractive (dispersion) term:
# Gnp = Gdisp + Gcavity
# = Gdisp + CAVITY_SURFTEN * SASA + CAVITY_OFFSET.
# When this option is used, RADIOPT has to be set to 1,
# i.e. the radii set optimized by Tan and Luo to mimic Gnp
# in TIP3P explicit solvents. Otherwise, there is no guarantee
# that Gnp matches that in explicit solvents.
# CAVITY_SURFTEN/CAVITY_OFFSET - Values used to compute the nonpolar
# solvation free energy Gnp according NPOPT. The default values
# are for NPOPT set to 0 and RADIOPT set to 0 (see above).
# If NPOPT is set to 1 and RADIOPT set to 1, these two lines
# can be removed, i.e. use the default values set in pbsa
# for this nonpolar solvation model. Otherwise, please
# set these to the following:
# CAVITY_SURFTEN: 0.04356
# CAVITY_OFFSET: -1.008
#
# NP Parameters for nonpolar solvation energies if MS = 1
#
# SURFTEN/SURFOFF - Values used to compute the nonpolar contribution Gnp to
# the desolvation according to Gnp = SURFTEN * SASA + SURFOFF.
#
PROC 2
REFE 0
INDI 1.0
EXDI 80.0
SCALE 2
LIMIT 1000
PRBRAD 1.4
ISTRNG 0.0
RADIOPT 0
NPOPT 1
```

8.3. Preparing the input file

```
CAVITY_SURFTEN 0.0072
CAVITY_OFFSET 0.00
#
SURFTEN 0.0072
SURFOFF 0.00
#
IVCAP 0
CUTCAP -1.0
XCAP 0.0
YCAP 0.0
ZCAP 0.0
#
#####
@MM
#
# MM parameters (this section is only relevant if MM = 1 above)
#
# The following parameters are passed to sander.
# For further details see the sander documentation.
#
# DIELC - Dielectric constant for electrostatic interactions.
# Note: This is not related to GB calculations.
#
DIELC 1.0
#
#####
@GB
#
# GB parameters (this section is only relevant if GB = 1 above)
#
# The first group of the following parameters are passed to sander.
# For further details see the sander documentation.
#
# IGB - Switches between Tsui's GB (1) and Onufriev's GB (2, 5).
# GBSA - Switches between LCPO (1) and ICOSA (2) method for SASA calc.
# Decomposition only works with ICOSA.
# SALTCON - Concentration (in M) of 1-1 mobile counterions in solution.
# EXTDIEL - Dielectricity constant for the surrounding solvent.
# INTDIEL - Dielectricity constant for the solute.
#
# SURFTEN / SURFOFF - Values used to compute the nonpolar contribution Gnp to
# the desolvation according to Gnp = SURFTEN * SASA + SURFOFF.
#
IGB 2
GBSA 1
SALTCON 0.00
EXTDIEL 80.0
INTDIEL 1.0
#
SURFTEN 0.0072
SURFOFF 0.00
#
#####
@MS
#
# Molsurf parameters (this section is only relevant if MS = 1 above)
#
# PROBE - Radius of the probe sphere used to calculate the SAS.
```

8. MM_PBSA

```
# In general, since Bondi radii are already augmented by 1.4A,
# PROBE should be 0.0
# In IVCAP = 1 or 5, the solvent excluded surface is required for
# calculating the cavity contribution. Bondi radii are not
# augmented in this case and PROBE should be 1.4A.
#
PROBE 0.0
#
#####
@NM
#
# Parameters for sander/nmode calculation (this section is only relevant
# if NM = 1 above)
#
# The following parameters are passed to sander (for minimization) and nmode
# (for entropy calculation using gasphase statistical mechanics).
# For further details see documentation.
#
# DIELC - (Distance-dependent) dielectric constant
# MAXCYC - Maximum number of cycles of minimization.
# DRMS - Convergence criterion for the energy gradient.
#
DIELC 4
MAXCYC 10000
DRMS 0.0001
#
#####
@MAKECRD
#
# The following parameters are passed to make_crd_hg, which extracts snapshots
# from trajectory files. (this section is only relevant if GC = 1 OR AS = 1 above.)
#
# BOX - "YES" means that periodic boundary conditions were used during MD
# simulation and that box information has been printed in the
# trajectory files; "NO" means opposite.
# NTOTAL - Total number of atoms per snapshot printed in the trajectory file
# (including water, ions, ...).
# NSTART - Start structure extraction from the NSTART-th snapshot.
# NSTOP - Stop structure extraction at the NSTOP-th snapshot.
# NFREQ - Every NFREQ structure will be extracted from the trajectory.
#
# NUMBER_LIG_GROUPS - Number of subsequent LSTART/LSTOP combinations to
# extract atoms belonging to the ligand.
# LSTART - Number of first ligand atom in the trajectory entry.
# LSTOP - Number of last ligand atom in the trajectory entry.
# NUMBER_REC_GROUPS - Number of subsequent RSTART/RSTOP combinations to
# extract atoms belonging to the receptor.
# RSTART - Number of first receptor atom in the trajectory entry.
# RSTOP - Number of last receptor atom in the trajectory entry.
# Note: If only one molecular species is extracted, use only the receptor
# parameters (NUMBER_REC_GROUPS, RSTART, RSTOP).
#
BOX YES
NTOTAL 25570
NSTART 1
NSTOP 5000
NFREQ 500
#
```

8.3. Preparing the input file

```
NUMBER_LIG_GROUPS 0
LSTART 0
LSTOP 0
NUMBER_REC_GROUPS 1
RSTART 1
RSTOP 2666
#
#####
@ALASCAN
#
# The following parameters are additionally passed to make_crd_hg in conjunction
# with the ones from the @MAKECRD section if "alanine scanning" is requested.
# (this section is only relevant if AS = 1 above.)
#
# The description of the parameters is taken from Irina Massova.
#
# NUMBER_MUTANT_GROUPS - Total number of mutated residues. For each mutated
# residue, the following four parameters must be given
# subsequently.
# MUTANT_ATOM1 - If residue is mutated to Ala then this is a pointer on CG
# atom of the mutated residue for all residues except Thr,
# Ile and Val.
# A pointer to CG2 if Thr, Ile or Val residue is mutated to Ala
# If residue is mutated to Gly then this is a pointer on CB.
# MUTANT_ATOM2 - If residue is mutated to Ala then this should be zero for
# all mutated residues except Thr and VAL.
# A pointer on OG1 if Thr residue is mutated to Ala.
# A pointer on CG1 if VAL or ILE residue is mutated to Ala.
# If residue is mutated to Gly then this should be always zero.
# MUTANT_KEEP - A pointer on C atom (carbonyl atom) for the mutated residue.
# MUTANT_REFERENCE - If residue is mutated to Ala then this is a pointer on
# CB atom for the mutated residue.
# If residue is mutated to Gly then this is a pointer on
# CA atom for the mutated residue.
# Note: The method will not work for a smaller residue mutation to a bigger
# for example Gly -> Ala mutation.
# Note: Maximum number of the simultaneously mutated residues is 40.
#
NUMBER_MUTANT_GROUPS 3
MUTANT_ATOM1 1480
MUTANT_ATOM2 0
MUTANT_KEEP 1486
MUTANT_REFERENCE 1477
MUTANT_ATOM2 1498
MUTANT_ATOM1 1494
MUTANT_KEEP 1500
MUTANT_REFERENCE 1492
MUTANT_ATOM1 1552
MUTANT_ATOM2 0
MUTANT_KEEP 1562
MUTANT_REFERENCE 1549
#
#####
@TRAJECTORY
#
# Trajectory names
#
# The following trajectories are used to extract snapshots with "make_crd_hg":
```

8. MM_PBSA

```
# Each trajectory name must be preceded by the TRAJECTORY card.
# Subsequent trajectories are considered together; trajectories may be
# in ascii as well as in .gz format.
# To be able to identify the title line, it must be identical in all files.
#
TRAJECTORY ../prod_II/md_nvt_prod_pme_01.mdcrd.gz
TRAJECTORY ../prod_II/md_nvt_prod_pme_02.mdcrd.gz
TRAJECTORY ../prod_II/md_nvt_prod_pme_03.mdcrd.gz
TRAJECTORY ../prod_II/md_nvt_prod_pme_04.mdcrd.gz
TRAJECTORY ../prod_II/md_nvt_prod_pme_05.mdcrd.gz
#
#####
@PROGRAMS
#
# Additional program executables can be defined here
#
#
#####
```

8.4. Auxiliary programs used by MM_PBSA

Several programs can be used to compute numerical solutions to the Poisson-Boltzmann equation. The default is *pbsa*, which is a stand-alone program that is much like *sander* with the IGB = 10 option. Please see *sander* PB pages in Section 6.2 for detailed description. Other programs for computing numerical Poisson-Boltzmann results are also available, such as *Delphi*, *MEAD* and *UHBD*. These could be merged into the Perl scripts developed here with a little work. See:

- <http://honiglab.cpmc.columbia.edu/> (for *DELPHI*)
- <http://www.scripps.edu/bashford/> (for *MEAD*)
- <http://adrik.bchs.uh.edu/ukbd.html> (for *UHBD*)

8.5. APBS as an alternate PB solver in Sander

APBS is a robust, numerical Poisson-Boltzmann solver with many features (for more details see <http://apbs.sourceforge.net/>). APBS can be used as an alternative PB solver in *sander* when compiled with *sander* using *iAPBS*. *sander.APBS* can be then used for implicit solvent MD simulations, calculation of solvation energies and electrostatic properties and to generate electrostatic potential maps for visualization. It can also be used in the *MM_PBSA* approach to estimate solvation and apolar (GAMMA * SASA) energy contributions to free energies of binding.

Please see APBS documentation (<http://apbs.sourceforge.net/doc/user-guide/index.html>) for definition of APBS input parameters and *iAPBS* documentation (<http://mccammon.ucsd.edu/iapbs/>) on how to build *sander.APBS* and how to use it.

To use *mm_pbsa.pl* script with *sander.APBS* the following is necessary:

- - *sander.APBS* must be installed in \$AMBERHOME/exe directory.

- - @GENERAL and @PB sections in input file need to be modified.
- - PQR files for ligand, receptor and complex need to be prepared if an
- alternate charge/radius scheme is used (which is recommended).

Input file description

The mm_pbsa.in input file which is included in the Amber distribution can be used with the following modifications:

(1) Turn on PB and turn off GB and MS calculations in the @GENERAL section of the input file:

```
@GENERAL
MM 1
GB 0
PB 1
MS 0
```

(2) Input file @PB section:

```
#
@PB
#
#
# PROC = 3 uses sander.APBS as the PB solver
# REFE - REFE = 0 is always used with sander.APBS
# INDI and EXDI are solute and solvent dielectric constants
# SCALE - grid spacing in number of grid points per A
# LINIT - no effect
# PRBRAD - solvent probe radius in A
# ISTRNG - ionic strength in mM
#
# RADIOPT - option to set up radii and charges for PB calculation:
# 0: uses the radii from prmtop files
# 2: reads in PQR files with radii/charges information from
# lig.pqr, rec.pqr and com.pqr PQR files
#
# APBS options:
# BCFL, SRFM, CHGM, SWIN, GAMMA - see APBS and iAPBS documentation for details
# GAMMA is surface tension for apolar energies (in kJ/mol/A**2),
# defaults to 0.105 (Please note the units!)
#
PROC 3
REFE 0
INDI 1.0
EXDI 80.0
SCALE 2
```

8. MM_PBSA

```
LINIT 1000
PRBRAD 1.4
ISTRNG 0.0
#
RADIOPT 0
#
BCFL 2
SRFM 1
CHGM 1
SWIN 0.3
GAMMA 0.105
#
```

PQR files

With RADIOPT=2 three PQR files are required: lig.pqr, rec.pqr and com.pqr with charge/radius information for the ligand, receptor and complex, respectively. This is the recommended option to get better estimates of solvation energies.

The PQR files can be created with pdb2pqr utility:

```
pdb2pqr.py --assign-only --ff=amber com.pdb com.pqr
pdb2pqr.py --assign-only --ff=amber rec.pdb rec.pqr
pdb2pqr.py --assign-only --ff=amber lig.pdb lig.pqr
```

where `--ff=amber` is the requested force field charge/radius parameters. Several options are available (Amber, CHARMM, PARSE, etc.) and also a user defined charge/radius scheme is supported (with `--ff=myff` option).

`pdb2pqr.py` can be obtained from <http://pdb2pqr.sourceforge.net/>. PDB2PQR service is also available on the web at <http://nbc.net/pdb2pqr/>. The PDB files (com.pdb, rec.pdb and lig.pdb) can be generated using `ambpdb` utility.

9. LES

The LES functionality for sander was written by Carlos Simmerling. It basically functions by modifying the *prmtop* file using the program *addles*. The modified *prmtop* file is then used with a slightly modified version of sander called *sander.LES*.

9.1. Preparing to use LES with AMBER

The first decision that must be made is whether LES is an appropriate technique for the system that you are studying. For further guidance, you may wish to consult published articles to see where LES has proven useful in the past. Several examples will also be given at the end of this section in order to provide models that you may wish to follow.

There are three main issues to consider before running the ADDLES module of AMBER.

1. What should be copied?
2. How many copies should be used?
3. How many regions should be defined?

A brief summary of my experience with LES follows.

1. You should make copies of flexible regions of interest. This sounds obvious, and in some cases it is. If you are interested in determining the conformation of a protein loop, copy the loop region. If you need to determine the position of a side chain in a protein after a single point mutation, copy that side chain. If the entire biomolecule needs refinement, then copy the entire molecule. Some other cases may not be obvious- you may need to decide how far away from a particular site structural changes may propagate, and how far to extend the LES region.
2. You should use as few copies as are necessary. While this doesn't sound useful, it illustrates the general point--too few copies and you won't get the full advantages of LES, and too many will not only increase your system size unnecessarily but will also flatten the energy surface to the point where minima are no longer well defined and a wide variety of structures become populated. In addition, remember that LES is an approximation, and more copies make it more approximate. Luckily, published articles that explore the sensitivity of the results to the number of copies show that 3-10 copies are usually reasonable and provide similar results, with 5 copies being a good place to start.
3. Placing the divisions between regions can be the most difficult choice when using LES. This is essentially a compromise between surface smoothing and copy independence. The most effective surface-smoothing in LES takes places between LES regions. This

9. LES

is because N_a copies in region A interact with all N_b copies in region B, resulting in $N_a \cdot N_b$ interactions, with each scaled by $1/(N_a \cdot N_b)$ compared to the original interaction. This is better both from the statistics of how many different versions of this interaction contribute to the LES average, and how much the barriers are reduced. Remember that since the copies of a given region do not interact with different copies of that same region, interactions inside a region are only scaled by $1/N$.

The other thing to consider is whether these enhanced statistics are actually helpful. For example, if the copies cannot move apart, you will obtain many copies of the same conformation—obviously not very helpful. This will also result in less effective reduction in barriers, since the average energy barriers will be very similar to the non-average barrier. The independence of the copies is also related to how the copies are attached. For example, different copies of an amino acid side chain are free to rotate independently (at least within restrictions imposed by the surroundings and intrinsic potential) and therefore each side chain in the sequence could be placed into a separate LES region. If you are interested in backbone motion, however, placing each amino acid into a separate region is not the best choice. Each copy of a given amino acid will be bonded to the neighbor residues on each side. This restriction means that the copies are not very independent, since the endpoints for each copy need to be in nearly the same places. A better choice is to use regions of 2-4 amino acids. As the regions get larger, each copy can start to have more variety in conformation— for example, one segment may have some copies in a helical conformation while others are more strand-like or turn-like. The general rule is that larger regions are more independent, though you need to consider what types of motions you expect to see.

The best way to approach the division of the atoms that you wish to copy into regions is to make sure that you have several LES regions (unless you are copying a very small region such as a short loop or a small ligand). This will ensure plenty of inter-copy averaging. Larger regions permit wider variations in structure, but result in less surface smoothing. A subtle point should be addressed here— the statistical improvement available with LES is not a benefit in all cases and care must be taken in the choice of regions. For example, consider a ligand exiting a protein cavity in which a side chain acts as a *gate* and needs to move before the ligand can escape. If we make multiple copies of the gate, and do not copy the ligand, the ligand will interact in an average way with the *gates*. If the gate was so large that even the softer copies can block the exit, then the ligand would have to wait until ALL of the gate copies opened in order to exit. This may be more statistically difficult than waiting for the original, single gate to open despite the reduced barriers. Another way to envision this is to consider the ligand trying to escape against a true probability distribution of the gate— if it was open 50% of the time and closed 50%, then the exit may still be completely blocked. Continuum representations are therefore not always the best choice.

Specific examples will be given later to illustrate how these decisions can be made for a particular system.

9.2. Using the ADDLES program

The ADDLES module of AMBER is used to prepare input for simulations using LES. A non-LES prmtop and prmcrd file are generated using a program such as LEaP. This prmtop file is then given to ADDLES and replaced by a new prmtop file corresponding to the LES system.

All residues are left intact- copies of atoms are placed in the same residue as the original atom, so that analysis based on sequence is preserved. Atom numbering is changed, but atom names are unchanged, meaning that a given residue may have several atoms with the same name. A different program is available for taking this new topology file and splitting the copies apart into separate residues, if desired. All copies are given the same coordinates as in the input coordinate file for the non-LES system.

Using addles:

```
addles < inputfile > outputfile
```

SAMPLE INPUT FILE:

```

~ a line beginning with ~ is a comment line.
~ all commands are 4 letters.
~ the maximum line length is 80 characters;
~ a trailing hyphen, "-", is the line continuation token.
~ use 'file' to specify an input/output file, then the type of file
  'rprm' means this is the file to read the prmtop
~ the 'read' means it is an input file
~
file rprm name=(solv200.topo) read
~
~ 'rcrd' reads the original coordinates- optional, only if you want
~ a set of coords for the new topology
~ you can also use 'rcvd' for coords+velocities, 'rcvb' for coords,
~ velos and box dimensions, 'rcbd' for coords and box dimensions.
~ use "pack=n" option to read in multiple sets of coordinates and
~ assign different coordinates to different copies.
file rcrd name=(50lv200.coords) read
~ 'wprm' is the new topology file to be written. the 'wovr' means to
~ write over the file if it exists, 'writ' means don't write over.
file wprm name=(lesparm) wovr
~ 'wcrd' is for writing coords, it will automatically write velo and box
~ if they were read in by 'rcvd' or 'rcvb'
file wcrd name=(lescrd) wovr
~ now put 'action' before creating the subspaces
action
~ the default behavior is to scale masses by 1/N.
~ omas leaves all masses at the original values
omas
~ now we specify LES subspaces using the 'spac' keyword, followed
~ by the number of copies to make and then a pick command to tell which
~ atom to copy for this subspace
~ 3 copies of the fragment consisting of monomers 1 and 2
spac numc=3 pick #mon 1 2 done
~ 3 copies of the fragment consisting of monomers 3 and 4
spac numc=3 pick #mon 3 4 done

```

9. LES

```
~ 3 copies of the fragment consisting of residues 5 and 6
spac numc=3 pick #mon 5 6 done
~ 2 copies of the side chain on residue 1
~ note that this replaces each of the side chains ON EACH OF THE 3
~ COPIES MADE ABOVE with 2 copies - net 6 copies
~ each of the 3 copies of residue 1-2 has 2 side chain copies.
~ the '#sid' command picks all atoms in the residue except
~ C,O,CA,HA,N,H and HN.
spac numc=2 pick #sid 1 1 done
spac numc=2 pick *sid 2 2 done
spac numc=2 pick #sid 3 3 done
spac numc=2 pick #sid 4 4 done
spac numc=2 pick #sid 5 5 done
~ use the *EOD to end the input
*EOD
```

What this does: all of the force constants are scaled in the new prmtop file by $1/N$ for N copies, so that this scaling does not need to be done for each pair during the nonbond calculation. Charges and VDW epsilon values are also scaled. New bond, angle, torsion and atom types are created. Any of the original types that were not used are discarded. Since each LES copy should not interact with other copies of the SAME subspace, the other copies are placed in the exclusion list. If you define very large LES regions, the exclusion list will get large and you may have trouble with the fixed length for this entry in the prmtop file- currently 8 digits.

The coordinates are simply copied - that means that all of the LES copies initially occupy the same positions in space. In this setup, the potential energy should be identical to the original system- this is a good test to make sure everything is functioning properly. Do a single energy evaluation of the LES system and the original system, using the copied coordinate file. All terms should be nearly identical (to within machine precision and roundoff). With PME on non-neutral systems, all charges are slightly modified to neutralize the system. For LES, there are a different number of atoms than in the original system, and therefore this charge modification to each atom will differ from the non-LES system and electrostatic energies will not match perfectly.

IMPORTANT: After creating the LES system, the copies will all feel the same forces, and since the coordinates are identical, they will move together unless the initial velocities are different. If you are initializing velocities using `INIT=3` and `TEMPI>0`, this is not a problem. In order to circumvent this problem, addles slightly (and randomly) modifies the copy velocities if they were read from the coordinate input file. If the keyword "nomodv" is specified, the program will leave all of the velocities in the same values as the original file. If you do not read velocities, make sure to assign an initial non-zero temperature to the system. You should think about this and change the behavior to suit your needs. In addition, the program scales the velocities by \sqrt{N} for N copies to maintain the correct thermal energy (mv2), but only when the masses are scaled (not using omas option). Again, this requires some thought and you may want different behavior. Regardless of what options are used for the velocities, further equilibration should be carried out. These options are simple attempts to keep the system close to the original state. [224]

Sometimes it is critical that different copies can have different initial coordinates (NEB for example), this is why the option "pack" is added to command `rcrd(rcvd,rcvb,rcbd)`. To use this

9.3. More information on the ADDLES commands and options

option, user need first concatenate different coordinates into a single file, and use "pack=n" to indicate how many sets of coordinates there are in the file, like the following example:

```
file rcrd name=(input.inpcrd) pack=4 read
```

Then addles will assign coordinates averagely. For example, if 4 sets coordinates exists in input file, and 20 copies are generated, then copy 1-5 will have coordinate set 1, copy 6-10 will have coordinates set 2, and so on. Note this option can't work with multiple copy regions now.

It is important to understand that each subsequent pick command acts on the ORIGINAL particle numbers. Making a copy of a given atom number also makes copies of all copies of that atom that were already created. This was the simplest way to be able to have a hierarchical LES setup, but you can't make extra copies of part of one of the copies already made. I'm not sure why you would want to, or if it is even correct to do so, but you should be warned. Copies can be anything -spanning residues, copies of fragments already copied, non-contiguous fragments, etc. Pay attention to the order in which you make the copies, and look carefully at the output to make sure you get what you had in mind. Addles will provide a list at the end of all atoms, the original parent atom, and how many copies were made.

There are array size limits in the file SIZE.h, I apologize in advance for the poor documentation on these. Mail carlos.simmerling@stonybrook.edu if you have any questions or problems.

9.3. More information on the ADDLES commands and options

file:	open a file, also use one of
rcrd:	read coords from this file
rcvd:	read coords + velo from file
rcvb:	read coords, velo and box from file
wcrd:	write coords (and more if rcvd, rcvb) to file
wprm:	write new topology file
action:	start run, all of the following options must come AFTER action
nomodv:	do NOT slightly randomize the velocities of the copies
spac:	add a new subspace definition, using a pick command (see below).
follow	with numc=# pickcmd where # is the number of copies to make
and	pickcmd is a pick command that selects the group of atoms to copy.
omas:	leave all masses at original values (otherwise scale 1/N)
pimd:	write an prmtop file for PIMD simulation, which contains a much smaller non-bond exclusion list, atoms from other copy will not be included in this non-bond exclusion list.

9. LES

Syntax for 'pick' commands

Currently, the syntax for picking atoms is somewhat limited. Simple Boolean logic is followed, but operations are carried out in order and parentheses are not allowed.

`#prt A B` picks the atom range from A to B by atom number

`#mon A B` picks the residue range from A to B by residue number

`#cca A B` picks the residue range from A to B by residue number, but dividing the residue between CA and C; the CO for A is included, and the CO for monomer B is not. See Simmerling and Elber, 1994 for an example of where this can be useful.

`chem prtc A` picks all atoms named A, case sensitive

`chem mono A` picks all residues named A, case sensitive

Completion wildcards are acceptable for names: `H*` picks H, HA, etc. Note that `H*2` will select all atoms starting with H and ignore the 2.

Boolean logic:

| *or* atoms in either group are selected

& *and* atoms must be in both groups to be selected

!= *not* A != B will pick all atoms in A that are NOT in B

The user should carefully check the output file to ensure that the proper atoms were selected.

Examples:

```
pick commandatoms selected
pick #mon 4 19 done all atoms in residues 4 through 19
pick #mon 1 50 & chem mono GLY done only GLY in residues 1 to 50
pick chem mono LYS | chem mono GLU done any GLU or LYS residue
pick #mon 1 5 != #prt 1 3 done residues 1 to 5 but not atoms 1 to 3
```

so, a full command to add a new subspace (LES region) with 4 copies of atoms 15 to 35 is:

```
spac numc=4 pick #prt 15 35 done
```

9.4. Using the new topology/coordinate files with SANDER

These topology files are ready to use in Sander with one exception: all of the FF parameters have been scaled by $1/N$ for N copies. This is done to provide the energy of the new system as an average of the energies of the individual copies (note that it is an average energy or force, not the energy or force from an average copy coordinate). However, one additional correction is required for interactions between pairs of atoms in the same LES region. Sander will make these corrections for you, and this information is just to explain what is being done. For example, consider a system where you make 2 copies of a sidechain in a protein. Each charge is scaled by $1/2$. For these atoms interacting with the rest of the system, each interaction is scaled by

9.5. Using LES with the Generalized Born solvation model

1/2 and there are 2 such interactions. For a pair of particles inside the sub-space, however, the interaction is scaled by $1/2 * 1/2 = 1/4$, and since the copies do not interact, there are only 2 such interactions and the sum does not correspond to the correct average. Therefore, the interaction must be scaled up by a factor of N. When the PME technique is requested, this simple scaling cannot be used since the entire charge set is used in the construction of the PME grid and individual charges are not used in the reciprocal space calculation. Therefore, the intra-copy energies and forces are corrected in a separate step for PME calculations. Sander will print out the number of correction interactions that need to be calculated, and very large amounts of these will make the calculation run more slowly. PME also needs to do a separate correction calculation for excluded atom pairs (atoms that should not have a nonbonded interaction, such as those that are connected by a bond). Large LES regions result in large numbers of excluded atoms, and these will result in a larger computational penalty for LES compared to non-LES simulations. For both of these reasons, it is more efficient computationally to use smaller LES regions- but see the discussion above for how region size affects simulation efficiency. These changes are included in the LES version of Sander (sander.LES). Each particle is assigned a LES 'type' (each new set of copies is a new type), and for each pair of types there is a scaling factor for the nonbond interactions between LES particles of those types. Most of the scaling factors are 1.0, but some are not - such as the diagonal terms which correspond to interactions inside a given subspace, and also off-diagonal terms where only some of the copies are in common. An example of this type is the side chain example given above- each of the 3 backbone copies has 2 sidechains, and while interactions inside the side chains need a factor of 6, interactions between the side chain and backbone need a factor of 3. This matrix of scaling factors is stored in the new topology file, along with the type for each atom, and the number of types. The changes made in sander relate to reading and using these scale factors.

9.5. Using LES with the Generalized Born solvation model

LES simulations can be performed using the GB solvent model, with some limitations. Compared to LES simulations in explicit water, using GB with LES provides several advantages. The most important is how each of the copies interacts with the solvent. With explicit water, the water is normally not copied and therefore interacts in an average way with all LES copies. This has important consequences for solvation of the copies. If the copies move apart, water cannot overlap any of them and therefore the water cavity will be that defined by the union of the space occupied by the copies. This has two consequences. First, moving the copies apart requires creation of a larger solvent cavity and therefore copies have a greater tendency to remain together, reducing the effectiveness of LES. Second, when the copies do move apart, each copy will not be individually solvated.

These effects arise because the water interacts with all of the copies; for each copy to be solvated independently of the other copies would require copying the water molecules. This is normally not a good idea, since copying all of the water would result in very significant computational expense. Copying only water near the solute would be tractable, but one would need to ensure that the copied waters did not exchange with non-LES bulk waters.

Using GB with LES largely overcomes these problems since each copy can be individually solvated with the continuum model. Thus when one copy moves, the solvation of the other copies are not affected. This results in a more reasonable solvation of each copy and also

9. LES

improves the independence of the copies. Of course the resulting simulations do retain all of the limitations that accompany the GB models.

The current code allows `igb` values of 1, 5 or 7 when using LES. Surface area calculations are not yet supported with LES. Only a single LES region is permitted for GB+LES simulations. A new namelist variable was introduced (`RDT`) in `sander` to control the compromise of speed and accuracy for GB+LES simulations. The article referenced below provides more detail on the function of this variable. `RDT` is the effective radii deviation threshold. When using GB+LES, non-LES atoms require multiple effective Born radii for an exact calculation. Using these multiple radii can significantly increase calculation time required for GB calculations. When the difference between the multiple radii for a non-LES atom is less than `RDT`, only a single effective radius will be used. A value of 0.01 has been found to provide a reasonable compromise between speed and accuracy, and is the default value. Before using this method, it is strongly recommended that the user read the article describing the derivation of the GB+LES approach. [225]

9.6. Case studies: Examples of application of LES

9.6.1. Enhanced sampling for individual functional groups: Glucose

The first example will deal with enhancing sampling for small parts of a molecule, such as individual functional groups or protein side chains. In this case we wanted to carry out separate simulations of α and β (not converting between anomers, only for conversions involving rotations about bonds) glucose, but the 5 hydroxyl groups and the strong hydrogen bonds between neighboring hydroxyls make conversion between different rotamers slow relative to affordable simulation times. The eventual goal was to carry out free energy simulations converting between anomers, but we need to ensure that each window during the Gibbs calculation would be able to sample all relevant orientations of hydroxyl groups in their proper Boltzmann-weighted populations. We were initially unsure how many different types of structures should be populated and carried out non-LES simulations starting from different conformations. We found that transitions between different conformations were separated by several hundred picoseconds, far too long to expect converged populations during each window of the free energy calculation. We therefore decided to enhance conformational sampling for each hydroxyl group by making 5 copies of each hydroxyl hydrogen and also 5 copies of the entire hydroxymethyl group. Since the hydroxyl rotamer for each copy should be relatively independent, we decided to place each group in a different LES region. This meant that each hydroxyl copy interacted with all copies of the neighboring groups, with a total of $5*5*5*5*5$ or 3125 structural combinations contributing to the LES average energy at each point in time. The input file is given below.

```
file rprm name=(parm.solv.top) read
file rcvb name=(glucose.solv.equ.crd) read
file wprm name=(les.prmtop) wovr
file wcrd name=(glucose.les.crd) wovr
action
omas
~ 5 copies of each hydroxyl hydrogen- copying oxygen will make no difference
~ since they will not be able to move significantly apart anyway
```


9.6. Case studies: Examples of application of LES

```
spac numc=5 pick chem prtc HO1 done
spac numc=5 pick chem prtc HO2 done
spac numc=5 pick chem prtc HO3 done
spac numc=5 pick chem prtc HO4 done
~ take the entire hydroxy methyl group
spac numc=5 pick #prt 20 24 done
*EOD
```

This worked quite well, with transitions now occurring every few ps and populations that were essentially independent of initial conformation. [226]

9.6.2. Enhanced sampling for a small region: Application of LES to a nucleic acid loop

In this example, we consider a biomolecule (in this case a single RNA strand) for which part of the structure is reliable and another part is potentially less accurate. This can be the case in a number of different modeling situations, such as with homologous proteins or when the experimental data is incomplete. In this case two different structures were available for the same RNA sequence. While both structures were hairpins with a tetraloop, the loop conformations differed, and one was more accurate. We tested whether MD would be able to show that one structure was not stable and would convert to the other on an affordable timescale.

Standard MD simulations of several ns were not able to undergo any conversion between these two structures (the initial structure was always retained). Since the stem portion of the RNA was considered to be accurate, LES was only applied to the tetraloop region. In this case, both of the ends of the LES region would be attached to the same locations in space, and there was no concern about copies diffusing too far apart to re-converge to the same positions after optimization. The issues that need to be addressed once again are the number of copies to use, and how to place the LES region(s). I usually start with the simplest choices and used 5 LES copies and only a single LES region consisting of the entire loop. If each half of the loop was copied, then it might become too *crowded* with copies near the base-pair hydrogen bonds and conformational changes that required moving a base through this regions could become even more difficult (see the background section for details). Therefore, one region was chosen, and the RNA stem, counterions and solvent were not copied. The ADDLES input file is given below.

```
file rprm name=(prm.top) read
file rcvb name=(rna.crd) read
file wprm name=(les.parm) wovr
file wcrd name=(les.crd) wovr
action
omas
~ copy the UUCG loop region- residues 5 to 8.
~ pick by atom number, though #mon 5 8 would work the same way
spac numc=5 pick #prt 131 255 done
*EOD
```

Subsequent LES simulations were able to reproducibly convert from what was known to be the incorrect structure to the correct one, and stay in the correct structure in simulations that started

9. LES

there. Different numbers of LES copies as well as slightly changing the size of the LES region (from 4 residues to 6, extending 1 residue beyond the loop on either side) were not found to affect the results. Fewer copies still converted between structures, but on a slower timescale, consistent with the barrier heights being reduced roughly proportional to the number of copies used. See Simmerling, Miller and Kollman, 1998, for further details.

9.6.3. Improving conformational sampling in a small peptide

In this example, we were interested not just in improving sampling of small functional groups or even individual atoms, but in the entire structure of a peptide. The peptide sequence is AVPA, with ACE and NME terminal groups. Copying just the side chains might be helpful, but would not dramatically reduce the barriers to backbone conformational changes, especially in this case with so little conformational variety inherent in the Ala and Pro residues. We therefore apply LES to all atoms. If we copied the entire peptide in 1 LES regions, the copies could float apart. While this would not be a disaster, it would make it difficult to bring all of the copies back together if we were searching for the global energy minimum, as described above. We therefore use more than one LES region, and need to decide where to place the boundaries between regions. A useful rule of thumb is that regions should be at least two amino acids in size, so we pick our two regions as Ace-Ala-Val and Pro-Ala- Nme. If we make five LES copies of each region and each copy does not interact with other copies of the same regions, each half the peptide will be represented by five potentially different conformations at each point in time. In addition, since each copy interacts with all copies of the rest of the system, there are 25 different combinations of the two halves of the peptide that contribute at each point in time. This statistical improvement alone is valuable, but the corresponding barriers are also reduced by approximately the same factors. When we place the peptide in a solvent box the solvent interacts in an average way with each of the copies. The input file is given below, and all of the related files can be found in the test directory for LES.

```
~ all file names are specified at the beginning, before "action"
~ specify input prmtop
file rprm name=(prmtop) read
~ specify input coordinates, velocities and box (this is a restart file)
file rcvb name=(md.solv.crd) read
~ specify LES prmtop
file wprm name=(LES.prmtop) wovr
~ specify LES coordinates (and velocities and box since they were input)
file wcrd name=(LES.crd) wovr
~ now the action command reads the files and tells addles to
~ process commands
action
~ do not scale masses of copied particles
omas
~ divide the peptide into 2 regions.
~ use the CCA option to place the division between carbonyl and
~ alpha carbon
```

9.6. Case studies: Examples of application of LES

```
~ use the "or" to make sure all atoms in the terminal residues
~ are included since the CCA option places the region division at C/CA
~ and we want all of the terminal residue included on each end
~
~ make 5 copies of each half
~ "spac" defines a LES subspace (or region)
spac numc=5 pick #cca 1 3 | #mon 1 1 done
spac numc=5 pick #cca 4 6 | #mon 6 6 done
~ the following line is required at the end
*EOD
```

This example brings up several important questions:

1. Should I make LES copies before or after adding solvent? Since LEaP is used to add solvent, and LEaP will not be able to load and understand a LES structure, you must run ADDLES after you have solvated the peptide in LEaP. ADDLES should be the last step before running SANDER.
2. Which structure should be used as input to ADDLES? If you will also be carrying out non-LES simulations, then you can equilibrate the non-LES simulation and carry out any amount of production simulation desired before taking the structure and running ADDLES. At the point you may switch to only LES simulations, or continue both LES and non-LES from the same point (using different versions of SANDER). Typically I equilibrate my system without LES to ensure that it has initial stability and that everything looks OK, then switch to LES afterward. This way I separate any potential problems from incorrect LES setup from those arising from problems with the non-LES setup, such as in initial coordinates, LEaP setup, solvent box dimensions and equilibration protocols.
3. How can I analyze the resulting LES simulation? This is probably the most difficult part of using LES. With all of the extra atoms, most programs will have difficulty. For example, a given amino acid with LES will have multiple phi and psi backbone dihedral angles. There are basically two options: first, you can process your trajectory such that you obtain a single structure (non-LES). This might be just extracting one of the copies, or it might be one by taking the average of the LES copies. After that, you can proceed to traditional analysis but must keep in mind that the average structure may be non-physical and may not represent any actual structure being sampled by the copies, especially if they move apart significantly. A better way is to use LES-friendly analysis tools, such as those developed in the group of Carlos Simmerling. The visualization program MOIL-View (<http://morita.chem.sunysb.edu/carlos/moil-view.html>) is one example of these programs, and has many analysis tools that are fully LES compatible. Read the program web page or manual for more details. A version of MOIL-View is included on the Amber 8 CD.

1.7. Unresolved issues with LES in AMBER

1. Sander can't currently maintain groups of particles at different temperatures (important for dynamics, less so for optimization.) [227, 228] Users can set *tempOles* to maintain all LES atoms at a temperature that is different from that for the system as a whole, but all LES atoms are then coupled to the same bath.

9. LES

2. Initial velocity issues as mentioned above- works properly, user must be careful.
3. Analysis programs may not be compatible. See <http://morita.chem.sunysb.edu/carlos/moil-view.html> for an LES-friendly analysis and visualization program.
4. Visualization can be difficult, especially with programs that use distance-based algorithms to determine bonds. See #3 above.
5. Water should not be copied- the fast water routines have not been modified. For most users this won't matter.
6. Copies should not span different 'molecules' for pressure coupling and periodic imaging issues. Copies of an entire 'molecule' should result in the copies being placed in new, separate molecules- currently this is not done. This would include copying things such as counterions and entire protein or nucleic acid chains.
7. Copies are placed into the same residue as the original atoms- this can make some residues much larger than others, and may result in less efficient parallelization with algorithms that assign nonbond workload based on residue numbers.

10. Divcon

10.1. Introduction

DivCon is a linear scaling semi-empirical program for calculation of energies, charges and geometries of systems up to 20,000 atoms. Available features include:

1. Linear scaling Divide and Conquer (D&C) calculations. [213–215]
2. Cubic scaling standard calculations. [103, 104, 106]
3. Single point AM1, [104] PM3, [103] or MNDO [106] calculations.
4. Geometry Optimization (steepest decent, conjugate gradient, BFGS, and LBFGS available)
5. Mulliken, CM1 [229] and CM2 [230] charge analysis
6. Nuclear Magnetic Resonance prediction and simulation

The program was mainly developed by Steve Dixon. His work includes the development of the semiempirical Divide and Conquer algorithm, implementation of the D&C and standard energy and gradient calculations, geometry optimization routines, Mulliken charge analysis, cluster based subsetting strategy and front end of the program. Arjan van der Vaart added the Monte Carlo routines (single and multi processing), Particle Mesh Ewald routines, grid based subsetting routines, extension of the cluster based subsetting schemes, CM1 and CM2 charge analysis, density matrix build routines, density of state analysis, frozen density matrix routines the interaction energy decomposition routines (serial and parallel), and Talman's algorithm. Valentin Gogonea added the SCRF routines. Jim Vincent parallelized the single point energy and geometry optimization routines, the transition state routines and the sodium parameters. Ed Brothers added dipole and ionization potential routines, the parametrization routines and the sodium parameters. Dimas Sua'rez added the LBFGS optimization routines, the transition state routines and the frequency calculation routines. Ning Liao has added support for a native Poisson-Boltzmann(PB) implementation, and Andrew Wollocott has added support for restrained minimization. Subsequently, Hwanho Kim and Lance Westerhoff of QuantumBio Inc. fully audited, optimized, and modernized much of the source code in order to impart increased stability and extensibility upon the application. QuantumBio continues to develop DivCon with these same principles in mind.

10.2. Getting Started

DivCon05 packaged with AMBER is capable of performing mixed quantum mechanics/molecular mechanics(QM/MM) linear scaling Semi-Empirical calculations. This allows large

10. Divcon

patches of a protein to be studied at a quantum mechanical level of theory while still retaining charge effects from the surrounding protein. DivCon contains many options that may aid in the simulation of protein systems with large quantum patches whose keywords can be found within this manual for a more detailed discussion of their applications and uses. This section will provide a brief overview of how to get started using DivCon with AMBER. This section should only be used as a starting point for QM/MM calculations involving DivCon after which the manual may be consulted for more options and uses. These examples should be a good starting point for the divcon.in files needed for these QM/MM jobs. DivCon has several default keywords that can be found in the Keywords section of the manual that are good for general uses, but can easily be changed if desired.

To install Divcon, you need to do the following:

```
cd $AMBERHOME/src/dcqtp
make clean
make install
```

10.2.1. Standard Jobs

These jobs are run without the use of DivCon's linear scaling feature. Standard should only be used for smaller patches(around 250-300 atoms), after which it will become quite expensive. Below there is a simple divcon.in file for use in standard jobs when running QM/MM calculations. This may not be the best input file for every application, just a place to get started when using DivCon. The manual should be consulted for a more detailed discussion of the keywords used in this divcon.in file.

```
DIRECT CARTESIAN AM1 CHARGE=0.0 &
STANDARD CUTBOND=9.0 SHIFT=3.0
END_COORD
```

10.2.2. Divide and Conquer Jobs

One of DivCon's best features is the ability to scale linearly to system size for Semi-Empirical calculations. This is an excellent feature for larger systems(>~300 atoms) which maybe not be able to be calculated in other programs. Using divide and conquer requires that the system be broken into smaller subsystems which is done by keywords in the divcon.in file. The most common, and easiest, clustering system for proteins is to make each residue a subsystem. These subsystems are then surrounded by a buffer to be considered in the subsystem calculations, the size of which can be declared in the divcon.in file. For more information on the Divide and Conquer or buffering methods references 1,2, and 3 should be consulted. Again, the example below is a place to get started on using DivCon and more detailed calculations may require different keywords and/or values which can be found in the Keywords section of this manual.

```
DIRECT CARTESIAN AM1 CHARGE=0.0 &
RESIDUE CLUSTER CUTBOND=9.0 SHIFT=3.0
END_COORD
CLUSTER
NCORE=1
```

```
DBUFF1=4.5 DBUFF2=2.0
END_CLUSTER
```

More detailed information on all these keywords and more can be found within the Keywords section. Also, the keywords that are used by default can be found in the manual along with directions how to change and use them. These simple examples will give a good starting point for doing general QM/MM calculations using DivCon and should be acceptable in many cases, but are not, by any means, a complete input file for DivCon.

10.3. Keywords

10.3.1. Hamiltonians

AM1 AM1 Hamiltonian to be used.

PM3 PM3 Hamiltonian to be used.

MNDO MNDO Hamiltonian to be used.

MNDO/d MNDO/d Hamiltonian to be used.

PDDG-PM3 PDDG-PM3 Hamiltonian to be used.

NOTE: One Hamiltonian must be selected. There is no default.

10.3.2. Convergence Criterion

ETEST=FLOAT user defined geometry optimization energy change criterion. Default : 0.002 kcal/mol.

GTEST=FLOAT user defined maximum gradient component criterion. Default : 0.500 kcal/(mol Å).

XTEST=FLOAT user defined geometry optimization coordinate change criterion. Default : 0.001 Å / 0.001 degrees.

10.3.3. Restrained Atoms

BELLY A subset of the atoms in the system, the belly group, will be allowed to relax their position during optimization while the rest of the atoms will be kept at fixed positions by zeroing the corresponding forces. Currently, the BELLY option requires optimization of both minimum or transition structures using cartesian coordinates (a FREQ calculation can be also subjected to the BELLY option).

The BELLY parameter must be included in the input file in order to specify the BELLY group. Two formats are possible:

```
BELLY
ATOMS 144-178 310-332
END_BELLY
```

10. Divcon

This means that the BELLY group of moving atoms will be constituted from atom 144 to atom 178, and from atom 310 to atom 332. Alternatively, the BELLY group can be selected using residue numbering:

```
BELLY
RESIDUES 10-13 20
END_BELLY
```

Only residues from 10 to 13 and residue 20 will be allowed to move during minimization.

10.3.4. Output

PRTSUB print subsystem atom lists.

PRTVEC print final eigenvectors. All eigenvectors and eigenvalues will be printed by default. If the input file contains PRTVEC parameters, only some eigenvectors will be printed:

```
PRTVEC
1-458 all
558-960 -15.0 -10.0
45-460 ef 10.0
END_PRTVEC
```

The first line indicates that only the eigenvectors for atoms 1-458 need to be printed. These are all eigenvectors when a standard calculation is performed. For a D&C calculations, these are the eigenstates for subsystems that contain atoms 1-458. The second line indicates that the eigenstates for atoms 558 through 960 will be printed if the associated eigenvalues are between -15.0 and -10.0 eV. The third line indicates that the eigenvectors of atoms 45-460 will be printed if the associated eigenvalues are within 10 eV of the Fermi energy.

DOS perform a density of state analysis. By default, a DOS analysis will be performed on all eigenvalues for all atoms, with interval of 0.5 eV. Intervals and extend of the DOS analysis can be set by the DOS parameters:

```
DOS
1-435 0.2
1015-4452 0.3
END_DOS
```

Here the DOS will be printed for all subsystems that contain atoms 1-435 with interval of 0.2 eV and for all subsystems that contain atoms 1015 through 4452 with interval of 0.3 eV. Note that for a standard calculation the DOS will always extend over all atoms.

DIPOLE calculate the magnitude of the molecular dipole moment using all three charge methods.

- IP calculate ionization potential
- HOMOLUMO calculate homo-lumo gap. For a D&C run, the homo-lumo gap of all subsystems will be printed.
- PRTCOORDS print atomic coordinates .
- PRTPAR Print the AM1/PM3/MNDO parameters for all atom types that are found in the input file.
- SCREEN output vital information to screen. If not included DivCon will run silently and only return access to the user once the job is complete.
- WRTPDB write final coordinates of an optimization in a "standard" pdb format.
- DUMP=INT write restart file (divcon.rst) every INT cycles.
- PDUMP=INT write density matrix file (divcon.dmx) every INT SCF iteration
- SNAPGEOM Write coordinates during energy optimization (divcon_snapshot.N) at every N-th optimization step. This can be useful when optimizing very large systems.
- TRAJECTORY dump coordinates to trajectory file (divcon.trj) at restart points.
- GEOCALC Calculates geometric parameters. Input takes the form (after the END_COORD line):

```
GEO
DISTANCE
1-2
END_DISTANCE
ANGLE
1-2-3
END_ANGLE
DIHEDRAL
1-2-4-3
END_DIHEDRAL
END_GEO
```

Note that if an equals sign is included after the atom numbers (i.e. 1-2=2.0) then a set of differences between the calculated values and these numbers are returned.

- ERROR Calculates the difference between accepted and calculated values. An example list is shown below, with each component being explained afterward. Note this is only usable with standard calculations, and this list follows the END_COORDS line.

```
ERROR
HEAT=FLOAT
IP=FLOAT
DIPOLE=FLOAT
ASSOCIATION=FLOAT
```

10. Divcon

```
FILEXINTEGER
FILEXINTEGER
END_ASSOC
ETOTDIFF=FLOAT
FILEXINTEGER
FILEXINTEGER
END_ETOTDIFF
END_ERROR
```

HEAT is the heat of formation in kcal/mol. IP is ionization potential. DIPOLE is the Mulliken dipole. ASSOCIATION is the energy of association, and the lines following it are the files to be used to calculate it. For instance, if the association energy of a methanol-2 water complex was to be calculated, and methanol was in divcon001.in and water was in divcon002.in, the values on the two subsequent lines would be 1x1 and 2x2. ETOTDIFF is the total energy difference, and its files are designated the same way. Note also that a geometry list can be placed inside the ERROR/END_ERROR delimiters using the format given above.

ZMAKE output a z-matrix using the DivCon z-matrix format. Note that this uses the first three atoms as the defining atoms, and thus they may not be collinear.

10.3.5. General

ADDMM add MM correction to peptide torsional barrier. (on by default)

NOMM do not use MM correction to peptide torsional barrier.

CARTESIAN Cartesian coordinate format. DivCon reads cartesian coordinates in the format shown in the following example:

```
1 N -0.26120 -0.98976 0.00000
2 C 0.64694 0.01940 0.00000
3 C -0.47100 1.06738 0.00000
4 C -1.44202 -0.13945 0.00000
5 O 1.83331 0.04003 0.00000
6 H -0.13870 -1.97802 0.00000
7 H -0.49385 1.68899 -0.88436
8 H -0.49385 1.68899 0.88436
9 H -2.05887 -0.23715 -0.88402
10 H -2.05887 -0.23715 0.88402
```

Coordinates are in Å. The specification of symbols and coordinates is format free and the maximum characters per line is 80.

RMIN=FLOAT The minimum allowed distance between atoms (results in an error for single point calculations and geometry optimizations, configuration will be rejected in an MC-run when a smaller distance is encountered).

- ECRIT=FLOAT set the convergence for the energy in units of eV. (default value is 4×10^{-6} eV). The actual value of ECRIT will be relaxed if the gradient norm is large and the structure is not tiny. This should speed up convergence without any loss of accuracy
- DCRIT=FLOAT set the convergence for the density matrix in atomic units (default value 5×10^{-4} e). The actual value of DCRIT will be relaxed if the gradient norm is large and the structure is not tiny. This should speed up convergence without any loss of accuracy.
- DESCF=FLOAT related to ECRIT in that it defines the SCF energy convergence criterion. However, unlike ECRIT, this values is considered absolute(in eV). In affect, the SCF calculation will not stop until this criterion is reached.
- DPSCF=FLOAT related to DCRIT in that it defines the SCF energy convergence criterion. However, unlike DCRIT, this values is considered absolute(in eV). In affect, the SCF calculation will not stop until this criterion is reached.
- CUTREPUL=FLOAT set the [xy|xy], [xz|xz], [xx|yy], [xx|zz],[zz|xx], [xx|xx] and [zz|zz] integrals to zero when the interatomic distance is larger than FLOAT. The CUTREPUL keyword can be used to speed up a DivCon simulation by limiting the number of calculations performed.
- CUTBOND=FLOAT cutoff bonding for the H, P and F matrices beyond FLOAT angstroms. The CUTBOND keyword can be used to speed up a DivCon simulation by limiting the number of calculations performed.
- DIRECT causes all 2-electron integrals to be kept in memory and recalculated at each step instead of being written out to file. This is the suggested approach as generally with how fast processor are today and how much memory users have at their disposal, accessing disk may be more expensive.
- FULLSCF turns off pseudo diagonalizations and turns on full diagonalizations. This is more expensive than pseudo diagonalizations but may be necessary sometimes.
- RESIDUE stores residue pointers within DivCon. Also requires that the user denote the beginning of each residue in the input file by using the "RES" delimiter after the "z" coordinate.
- CHKRES check inter-atomic distances for each residue.
- TEMPK=FLOAT user defined divide and conquer temperature. Units are Kelvin, and default is 1000K.
- TESTRUN do setup work and stop before first energy evaluation.
- TMAX=FLOAT user defined maximum CPU time in seconds.
- SHIFT=FLOAT user defined initial dynamic level shift parameter, in eV. [231]
- XYZSPACE do all operations in xyz space.

10. Divcon

MAXIT=INT Set the maximum number of SCF iterations (default: 100). If it takes more than 100 SCF iterations to converge, it is generally thought that the system will probably not converge and is exhibiting problems.

DOUBLE=INT Perform a double SCF step during a certain number (int) of SCF iterations. If INT=0, a double SCF will be done for every SCF iteration (only for non-geometry optimizations). This will aid in convergence as it guarantees that the values calculated at each step are based completely on the current step. By default the first step of an SCF calculation will be a double. Please note, using DOUBLE will significantly increase the CPU time required to execute a DivCon job.

1SCF Perform only the first SCF iteration, i.e. calculate the energy through $E = 0.5(H+F)P$. Note that this is not equivalent to MAXIT=1, since no diagonalization is performed.

GUESS Build the initial density matrix from one or more density matrix files. These files are listed by means of the GUESS parameters:

```
GUESS
A.dmx
b.dmx
END_GUESS
```

Build the initial density matrix from the files A.dmx and b.dmx. The density matrix elements of atoms 1 through a are read from A.dmx, for atoms a+1 through n from file b.dmx.

```
GUESS
2-10 A.dmx 33-41 f
20-30 b.dmx 1-11
END_GUESS
```

Density matrix information for atoms 2-10 is read from the density matrix elements of atoms 33-41 of file A.dmx, density matrix information for atoms 20-30 is read from the density matrix elements of atoms 1- 11 from file b.dmx. Missing density matrix elements are auto-initialized and a correction will be applied to constrain the total number of electrons. The density matrix elements of atoms 2-10 will be kept constant during the SCF iterations by using the Frozen Density Matrix approximation. [232] It is imperative that the number of orbitals on a certain atom in the divcon.in file and density matrix file are the same, i.e. the number of orbitals on atom 2 from divcon.in and atom 33 from A.dmx should be identical.

Note that the maximum length of a density matrix file name is 20 characters, no dashes ("-") are allowed in the density matrix file name.

INTGLS=string The INTGLS keyword can have two values. If the value is "INTGLS=TALMAN" then the Talman method of integrals will be used. If the Value is "INTGLS=STEWART" then the Stewart integrals will be used. The default, and recommended value is Talman integrals as this approach has been found to be the most stable and accurate.

PUSH Only in combination with the CLUSTER keyword (page 22) and when multiple cores (i.e. multiple cluster groups) are defined. Push the different cluster groups apart. Default is 106 A, the user can define this distance by using PUSH=FLOAT. When more than two cluster groups are defined, each group is placed on a gridpoint with gridspacing of 106 A or the user defined value.

10.3.6. Gradient

GRADIENT output final gradient. (Note: The gradient for MC calculations contains only intermolecular terms. No intramolecular terms are involved.)

CENTRAL use central difference in gradient calculation

10.3.7. Atomic Charges

CHARGE=INT a net charge is to be placed on system.

MULLIKEN write Mulliken charges to output file and/or use Mulliken charges in DivPB.

CM1 write CM1 charges to output file and/or use CM1 charges in DivPB

CM2 write CM2 charges to output file and/or use CM2 charges in DivPB. This is the default charge model for DivPB calculations.

10.3.8. Subsetting

This is the basis of divide and conquer methodology. Subsetting can be performed by hand through the SUB parameters (page 30), or automatically through the keywords listed below. Subsystems consists of a core surrounded by an inner and outer buffer.

CLUSTER do cluster based subsetting. Specification of the cluster based subsetting is through the cluster parameters:

```
CLUSTER
NCORE=3 DBUFF1=4.0 DBUFF2=2.0
END_CLUSTER
```

This means that the cores will be built from 3 residues, the first buffer region extends 4.0 A from the core, the second buffer region 2.0 A from the first buffer region. Multiple cores (i.e. multiple cluster groups) can be defined by:

```
CLUSTER
NCORE=2 (1-6 7 8 12-14)
NCORE=3 (9 10 15-25 )
NCORE=1 (26 27)
DBUFF1=4.3 DBUFF2=2.0
END_CLUSTER
```

10. Divcon

Cores will be build from 2 residues for residues 1-6, 7, 8, 12-14, from 3 residues for residues 9, 10, 15-25 and from 1 core for residue 26 and 27. The first buffer region is 4.3 Å, the second 2.0 Å. Note that all residues should be used (and only once) in this syntax.

```
CLUSTER
NCORE=1 (1-20) [-1]
NCORE=1 (21-100) [0]
END_CLUSTER
```

Cores will be build from 1 residue for residues 1-20 and from 1 residue for residues 21-100. Moreover, the charge of the subsystems build from residues 1-20 will be constrained to ?1 electron and the charge of the subsystems build from residues 21-100 to 0 electrons. Only effective when the NO-OVERLAP keyword is used (see page 23). Charges are constrained by use of multiple Fermi energies. [233]

NO-OVERLAP Only in combination with the CLUSTER keyword.

```
CLUSTER
NCORE=1 (1-10)
NCORE=1 (11-20)
END_CLUSTER
```

When the NO-OVERLAP keyword is used, subsystems made from residues 1-10 only overlap with subsystems made from residues 1-10 and subsystems made from residues 11-20 only overlap with subsystems made from residues 11-20. In other words, density matrix elements between subsystems 1-10 and 11-20 are zero.

ATGRID do grid based, atom-wise subsetting (core and buffers will be build from atoms).

RESGRID do grid based, residue-wise subsetting (core and buffers will be build from residues).

MIXGRID do grid based, residue-wise subsetting for cores, grid based, atom-wise subsetting for buffers.

NOTE: Specify Grid parameters when a grid based subsetting is selected. The syntax for these parameters is:

```
GRID
XCORE=4.0 YCORE=4.0 ZCORE=4.0 OVERLAP=0.5
DBUFF1=2.5 DBUFF2=1.0
END_GRID
```

Meaning that the total system will be divided into rectangular boxes of 4.0_4.0_4.0 Å that overlap 0.5 Å in each dimension. The first buffer region is 2.5 Å wide, the second 1.0 Å.

NOTE: In Monte Carlo simulations only a residue-wise grid-based subsetting scheme is allowed. Reason for this is rather subtle: Imagine that during the MC-simulation a molecule would penetrate the box, such that the geometric center is still inside

the box, but some atoms are outside the box. If an atom based subsetting was performed, the atoms outside the box wouldn't be included in any subsystem. Making the "grid-subsetting"-box artificially larger than the pbc-box wouldn't work either: in that case there's is an artificially larger distance between the molecules and the (virtual, pbc) images of other molecules. This would mean that some atoms will be skipped in making the buffer regions: atoms that, according to their pbc-image should be included. This will lead to non-optimal subsettings and can have a rather drastic effect on energies as was found experimentally.

COMBSUB do a combination subsetting; certain residues will be subsetted grid based, others cluster based. Use the combsub parameters to specify this subsetting:

```
COMBSUB
CLUSTER
1-10 13
RESGRID
11-12 14-20
END_COMBSUB
```

Here, cluster based subsetting will be done for residues 1-10 and 13, gridbased residue-wise subsetting will be done for residues 11-12 and 14-20. The cores of the subsystems will be selected from the specified residues, buffers from all residues / atoms of the system. **COMBSUB** can only be defined as a combination of **CLUSTER** with one of **RESGRID**, **ATGRID** or **MIXGRID**. Note that you have to specify the **CLUSTER** and **GRID** parameters when you use **COMBSUB**. Note that all residues should be used (and only once) in **COMBSUB**.

STANDARD standard closed-shell calculation (no divide and conquer). All subsetting parameters are ignored, only one subsystem containing all atoms will be generated.

10.4. Solvation

This section details the Poisson-Boltzmann SCRF implicit solvation method available in AMBER through the QM/MM interface. This method allows charges in the QM region to fluctuate under the influence of the MM region and the continuum solvent surrounding the solute while keeping the charges in the MM region fixed at their initial values. This method is not as fast as the PB solver available in sander and therefore may not be suitable for MD simulations. This must be activated in the sander input file with the presence of `divpb=1` in the `&qmmm` namelist along with the desired parameters listed below in the `divcon.in` file.

SCRF requests a self-consistent reaction field calculation. This activates the PB solver and gives solvated charges and solvation free energy

DIVPB use in addition to **SCRF** to use the PB solver native to DivCon. By default CM2 charges will be used, specify CM1 to calculate solvation free energy based on that charge model. It is recommended that Mulliken charges are not used for these calculations.

10. Divcon

INDI=INT used to set the internal dielectric constant. The default value is 1.

EXDI=INT used to set the external dielectric constant. The default value is 80.

SCALE=DOUBLE used to set the grid space (per angstrom) in the SCRF calculation. The default value is 2.5.

PROBRAD=DOUBLE used to set the probe radius for the surface charges. The default value is 1.4.

ION=DOUBLE used to set the ionic strength (mol/L) of the solvent. The default value is 0.0

10.5. Nuclear Magnetic Resonance(NMR)

This section details the current NMR facilities found in the DivCon application. This functionality is under active research and development.

NMR used to activate NMR functionality. The keyword will cause DivCon to perform an NMR shielding calculation on the atoms denated in the NMR parameters entry at the end of the divcon.in file. In the first example, the shielding calculation will be performed on a number of atoms. In the second example below the calculation will instead be performed on a residue basis.

Example 1:

```
NMR
Atom 1-100 150-255
END_NMR
```

Example 2:

```
NMR
Residue 1-10 12-34
Residue 40-45
END_NMR
CALNUC
```

set what atoms chemical shifts are calculated for. CALNUC=1 for proton chemical shift calculations CLANUC=2 for carbon-13 chemical shift calculations

10.5.1. Default Keywords

The keywords in the following section represent keywords on by default in DivCon and the values that they are given when applicable. The sections above should be consulted for more information on the keywords presented below.

ECRIT Default value=4.0e-6.

DCRIT Default value=5.0e-4.

MAXIT Default value=100.
TEMPK Default value=1000.0.
ADDMM On by default.
RMIN Default value=0.5.
INTGLS Default setting is TALMAN.

10.6. Citation Information

Should you publish data generated using DivCon, please include references , [214, 215] along with the general citation: B. Wang, K. Raha, N. Liao, M.B. Peters, H. Kim, L.M. Westerhoff, A. M. Wollacott, A. van der Vaart, V. Gogonea, D. Suarez, S.L. Dixon, J.J. Vincent, E.N. Brothers and K.M. Merz Jr., DivCon

When executing a pairwise energy decomposition calculation using the PWD module, add references [233, 234]; when using the NMR module, you should add references [235–237].

10. Divcon

11. Miscellaneous

11.1. ambpdb

NAME ambpdb - convert amber-format coordinate files to pdb format

SYNOPSIS

```
ambpdb [ -p prmtop-file ][ -tit title ] [ -pqr|-bnd|-atm ]  
[ -aatm ] [-bres ] [-noter] [-offset #] [-bin] [-first]
```

ambpdb is a filter to take a coordinate "restart" file from an AMBER dynamics or minimization run (on STDIN) and prepare a pdb-format file (on STDOUT). The program assumes that a *prmtop* file is available, from which it gets atom and residue names.

OPTIONS

-tit The title, if given, will be output as a REMARK at the top of the file. It should be protected by quotes or double quotes if it contains spaces or special characters.

-pqr If *-pqr* is set, output will be in the format needed for the MEAD suite of programs created by Don Bashford. The *-atm* option creates files used by Mike Connolly's surface area/volume programs. The *-bnd* option creates a file that lists the bonds in the molecule, one per line.

-aatm This switch controls whether the output atom names follow Amber or Brookhaven (PDB) formats. With the default (when this switch is not set), atom names will be placed into four columns in an approximation to the rules used by the Protein Data Base. This gives files that look very much like PDB files, EXCEPT that PDB uses "1" and "2" for amino-acid beta-protons (for example) whereas the standard Amber database (along with many in the NMR field) use "2" and "3", i.e. we have 2HB and 3HB, whereas Brookhaven files use 1HB and 2HB. The *protonate* program can be used to check and re-name proton names to various conventions.

If *-aatm* is set, Amber atom names will be left-justified in the output file, starting in column 13.

Generally speaking, Amber programs that read PDB files (like *protonate* and *LEaP*, work with either style of atom names. Programs like RASMOL, that expect more strict conformance to Brookhaven standards, require the default behavior; some other programs may work better with *-aatm* set, so that (for example) all hydrogen atoms begin with "H", etc.

11. Miscellaneous

- bin* If *-bin* is set, an unformatted (binary) "restart" file is read instead of a formatted one (default). Please note that no detection of the byte ordering happens, so binary files should be read on the machine they were created on.
- bres* If *-bres* (Brookhaven-residue-names) is not set (the default), Amber-specific atom names (like CYX, HIE, DG5, etc.) will be kept in the pdb file; otherwise, these will be converted to PDB-standard names (CYS, HIS, G, in the above example). Note that setting *-bres* creates a naming ambiguity between protonated and unprotonated forms of amino acids, and between DNA and RNA.
- If you plan to re-read the pdb file back into Amber programs, you should use the default behavior; for programs that demand stricter conformance to Brookhaven standards, set *-bres*.
- first* If *-first* is set, a pdb file augmented by additional information about hydrogen bonds, salt bridges, and hydrophobic tethers is generated, which can serve as input to the stand alone version of the FIRST software by D. J. Jacobs, L. A. Kuhn, and M. F. Thorpe to analyze the rigidity / flexibility of protein and nucleic acid structures. [238, 239] The criteria to include hydrophobic tethers differ for protein and nucleic acid structures. Note that currently not all modified RNA nucleosides are explicitly considered and that DNA structures are treated according to a parameterization derived for RNA structures. Details about the RNA parameterization can be found in ref. [240].
- noter* If *-noter* is set, the output PDB file not include TER cards between molecules. Otherwise, TER cards will be added whenever there is not bond between adjacent residues. Note that this means there will be a TER card between each water molecule, for example, unless *-noter is set*. The PDB is idiosyncratic about TER cards: they are generally present between separate protein chains, but generally not present between cofactors or solvent molecules. This behavior is not mimicked by *ambpdb*.
- offset* If a number is given here, it will be added to all residue numbers in the output pdb file. This is useful if you want the first residue (which is always "1" in an Amber prmtop file, to be a larger number, (say to more closely match a file from Brookhaven, where initial residues may be missing). Note that the number you provide is one less than what you want the first residue to have.
- Residue numbers greater than 9999 will not "fit" into the Brookhaven format; *ambpdb* actually prints $\text{mod}(\text{resno}, 10000)$; that is, after 9999, the residue number re-cycles to 0.

FILES Assumes that a *prmtop* file (with that name, or the one given in the *-p* option) exists in the current directory; reads AMBER coordinates from STDIN, and writes pdb-file to STDOUT.

BUGS Inevitably, various niceties of the Brookhaven format are not as well supported as they should be. The *protonate* program can be used to fix up hydrogen atom names, but that functionality should really be integrated here. There is no good solution to the PDB problem of using the same residue name for different chemical species; depending on

how the output file is to be used, the two options supported (setting or not setting *-bres*) may or may not suffice. Radii used for the *-pqr* option are hard-wired into the code, requiring a re-compilation if they are to be changed. Atom name output may be incorrect for atoms with two-character atomic symbols, like calcium or iron. The *-offset* flag is a very limited start toward more flexible handling of residue numbers; in the future (we hope!) Amber *prmtop* files will keep track of the "original" residue identifiers from input pdb files, so that this information would be available on output.

11.2. protonate

NAME protonate - add protons to a heavy-atom protein or DNA PDB file; convert proton names between various conventions; check (pro)-chirality.

SYNOPSIS

```
Usage: protonate [-bcfhkmp] [-d datafile]
[-i input-pdb-file] [-o output-pdb-file] [-l logfile]
[-al link-file] [-ae edit-file] [-ap parm-file]
-b to write Brookhaven-like atom names
-c to write chains as separate molecules
-f to force write of atoms found (debugging)
-h to write ONLY hydrogens to output file
-k to keep original coordinates of matched protons
-m to list mismatched protons
-p to print proton substitutions
-d to specify datafile (default is PROTON_INFO)
-i to specify input file (default is stdin)
-o to specify output file (default is stdout)
-l to specify logfile (default is stderr)
```

DESCRIPTION

Protonate combines a program originally written by K. Cross to add protons to a heavy-atom pdb file, with many extensions by J. Holland, G.P. Gippert & D.A. Case. Names and descriptions of the output protons are contained in the info-file (see below.) *Protonate* can be used to add protons that don't exist, to change the names of existing protons to some new convention, and to check pro-chirality of protons in an input pdb file. The source code is in the `src/protonate/` directory. Protonate generally will not do a careful job of orienting polar hydrogens, particularly for hydroxyls of serine, threonine and tyrosine; you can use the *pol_h* program (described below) for this purpose.

OPTIONS

-k The output pdb file will keep the proton coordinates of the input file, to the extent consistent with how well it can identify what names they should really have. Otherwise it will replace input protons with ones it builds.

11. Miscellaneous

- b** The program will insert a space before the name of each heavy atom in the output file. This is most often used to convert input files whose atom names begin in column 13 to the Brookhaven format where most heavy atom names begin in column 14. NOTE: two-letter heavy atom names (like FE or CA [calcium]) will not be correct; the resulting output file must be hand-edited to check for this.
- d** *info_file* Specifies the file containing information on how to build and name protons. The default name is PROTON_INFO. This information used to determine where on the amino acids the protons should be placed. The file provided handles funny Amber residue names like HIE, HIP and HID and HEM. Other files provided include PROTON_INFO.Brook, which uses Brookhaven proton naming convention (such as 1HB, etc.), and PROTON_INFO.oldnames, which uses old amber names. For example, to take an Amber pdb file and convert to the Brookhaven naming convention, set -d PROTON_INFO.Brook. Output to LOGFILE includes matches of protons the program builds with any found in the input file, plus a list of any input protons that could not be matched. Questionable matches are flagged and should be checked manually.

BUGS Format of the PROTON_INFO file is not obvious unless you have read the code. Methyl protons are built in a staggered conformation; hydroxyl protons in a arbitrary (and generally sub-optimal) conformation. A program like *pol_h* or its equivalent should be used (if desired) to place polar hydrogens on LYS, SER, THR, and SER residues. HIS in the input file is assumed to be HID. Users should generally explicitly figure out the desired protonation state for histidines. No attempt is made to identify heavy atoms in the input file that have two-letter element names; this means that Brookhaven-style output may require some hand-editing if atoms like calcium or iron are present. It is assumed that the alternate conformer flag in column 17 of the PDB file is either blank, or A. The program needs to be recompiled to change this; perhaps this should become an input option.

11.3. ambmask

NAME

ambmask - test group input FIND mask (or mask string given in the &cntrl section) and dump the resulting atom selection in a given format

SYNOPSIS

```
ambmask -p prmtop -c inpcrd -prnlev [0-3] -out [short|pdb|amber] -find [maskstr]
```

DESCRIPTION

ambmask acts as a filter which takes amber topology and coordinate "restart" file and applies the "maskstr" selection string (similar syntactically to UCSF Chimera/Midas) to select specific atoms or residues. Residues can be selected by their numbers or names. Atoms can be selected by numbers, names, or amber (forcefield) type. Selections are case insensitive. The selected

atoms are printed to **stdout** (by default, in amber-style pdb format). Atom and residue names and numbers are taken from amber topology. Beware that selection string works on those names and not the ones from the original pdb file. If you are not sure how atoms or residues are named or numbered in the amber topology, use **ambmask** with a selection string ":" (which is the default) to dump the whole pdb file with corresponding amber atom/residue names and numbers.

The "maskstr" selection expression is composed of "elementary selections". These start with ":" to select by residues, or "@" to select by atoms. Residues can be selected by numbers (given as numbers separated by commas, or as ranges separated by a dash) or by names (given as a list of residue names separated by commas). The same holds true for atom selections by atom numbers or atom names. In addition, atoms can be selected by amber atom type, in which case "@" must be immediately followed by "%". ":" means all residues and "@*" means all atoms. The following examples show the usage of this syntax. Square brackets should not be used in actual expressions, they are only used for clarity here:

```
{residue numlist} [:1-10] [:1,3,5] [:1-3,5,7-9]
{residue namelist} [:LYS] [:ARG,ALA,GLY]
{@atom numlist} [@12,17] [@54-85] [@12,54-85,90]
{@atom namelist} [@CA] [@CA,C,O,N,H]
@{%atom typelist} [@%CT] [@%N*,N3]
```

These "elementary selections" can be combined into more complex selections using binary operators "&" (and) and "|" (or), unary operator "!" (negation), distance binary operators "<:", ">:", "<@", ">@", and parentheses. Spaces around operators are irrelevant. Parentheses have the highest priority, followed by distance operators ("<:", ">:", "<@", ">@"), "!" (negation), "&" (and) and "|" (or) in order of descending priority. A wildcard "=" in an atom or residue name matches any name starting with a given character (or characters). For example, [:AS=] would match all aspartic acid residues (ASP), and asparagines (ASN); [@H=] would match all atom names starting with H (which are effectively all hydrogens). It cannot be used to match the end part of names (such as [:=A]). Some examples of more complex selections follow:

```
[@C= ~& ~!@CA,C]
```

.. all carbons except backbone alpha and carbonyl carbon

```
[(:1-3@CA | :5-7@CB)]
```

.. alpha carbons in residues 1-3 and beta carbons in residues 5-7

```
[:CYS,ARG & !( :1-10 | @CA,CB)]
```

.. all CYS and ARG atoms except those which are in residues 1-10 and which are CA or CB

```
[:* & !@H=] or [!@H=]
```

.. all heavy atoms (i.e. except hydrogens)

```
[:5 <@4.5]
```

11. Miscellaneous

.. all atoms within 4.5A from residue 5

```
[(:1-55 <:3.0) & :WAT]
```

.. all water molecules within 3A from residues 1-55

Compound expressions of the following type are also allowed:

```
{:residue numlist|namelist}@{atom numlist|namelist|typelist}
[:1-10@CA] is equivalent to [:1-10 & @CA]
[:LYS@H=] is equivalent to [:LYS & @H=]
```

OPTIONS

The program needs an amber topology file and coordinates (restrt format). The filename specified with the *-p* option is amber topology, while the filename given with the *-c* option is a coordinate file. If *-p* or *-c* options are not given, the program expects that files "prmtop" and/or "inpcrd" exist in the current directory, which will be taken as topology and coordinate files correspondingly. If no command line options are given, the program prints the usage statement.

The option *-prnlev* specifies how much (debugging) information is printed to **stdout**. If it is 0, only selected atoms are printed. More verbose output (which might be useful for debugging purposes) is achieved with higher values: 1 prints original "maskstr" in its tokenized (with operands enclosed in square brackets) and postfix (or Reverse Polish Notation) forms; number of atoms and residues in the topology file and number of selected atoms are also printed to **stdout**. 2 prints the resulting mask array, which is an array of integer values, with '1' representing a selected atom, and '0' an unselected one. Value of 3, in addition, prints mask arrays as they are pushed or popped from the stack (this is really only useful for tracing the problems occurring during stack operations). The *-prnlev* values of 0 or 1 should suffice for most uses.

The option *-out* specifies the format of printed atoms. "short" means a condensed output using residue (:) and atom (@) designators followed by residue ranges and atom names. "pdb" (default) prints atoms in amber-like pdb format with the original "maskstr" printed as a REMARK at the top of the pdb file, and "amber" prints atom/residue ranges in the format suitable for copying into group input section of amber input file.

The option *-find* is followed by "maskstr" expression. This is a string where some characters have a special meaning and thus express what parts (atoms/residues) of the molecule will get selected. The syntax of this string is explained in the section above (DESCRIPTION). If this option is left out, it defaults to ":*", which selects all atoms in the given topology file. The length of "maskstr" is limited to 80 characters. If the "maskstr" contains spaces or special characters (which would be expanded by the shell), it should be protected by single or double quotes (depending on the shell). In addition, for C-shells even a quoted exclamation character may be expanded for history substitution. Thus, it is recommended that the operand of the negation operator always be enclosed in parentheses so that "!" is always followed by a "(" to produce "!((" which disables the special history interpretation. For example, [*@C= & !(@CA,C)*] selects all carbons except backbone alpha and carbonyl carbon; the parentheses are redundant but shell safe. Another approach is to precede "!" with " man page indicates further ways to disable history substitution. FILES

Assumes that *prmtop* and *inpcrd* files exist in the current directory if they are not specified with *-p* and *-c* options. Resulting (i.e. selected) atoms are written to **stdout**.

BUGS

Because all atom names are left justified in amber topology and the selections are case insensitive, there is no way to distinguish some atom names: alpha carbon CA and a calcium ion Ca are a notorious example of that.

11.4. *pol_h* and *gwh***NAME**

```
pol_h - set positions of polar hydrogens in proteins
gwh - set positions of polar hydrogens onto water oxygen positions
```

SYNOPSIS

```
pol_h < input-pqr-file > output-pdb-file
gwh [-p <prmtop>] [-w <water.pdb>] [-c] [-e] < input_pdb_file
> output_pdb_file DESCRIPTION
```

The program *pol_h* resets positions of polar hydrogens of protein residues (Lys, Ser, Tyr and Thr), by optimizing simple electrostatic interactions. The input *pqr* file can be created by *ambpdb*. The program *gwh* sets positions of water hydrogens onto water oxygen positions that may be present in PDB files, by optimizing simple electrostatic interactions. If the *-w* flag is set, the program reads water oxygen positions from the file *water-position-file*, rather than the default name *watpdb*. If *-c* is set, a constant dielectric will be used to construct potentials, otherwise the (default) distant-dependent dielectric will be used. If *-e* is set, the electrostatic potential will be used to determine which hydrogens are placed first; otherwise, a distance criterion will be used.

Accuracy of *pol_h* & *gwh*:

```
* In the following the results for BPTI and RSA(ribonuclease A) are
given together with those of Karplus(1) and Ornstein(2) groups.
In the case of Ornstein's method, it handles only some of hydrogens
in question and therefore I normalized(scaled) their results using
expected values for random generation. The rms deviation from the
experimental positions (neutron diffraction) and the number of
hydrogens are shown below.
```

```
BPTI Lys Ser Tyr Thr Wat
```

```
-----
# of H 12 1 4 3 112 (4~)
Pol_H 0.39 0.36 1.08 0.20 0.98(0.38)
Karplus 0.25 0.71 0.81 0.19 - (0.35)
Ornstein 0.22 0.96 0.00 0.07 -
Ornstn(scaled) 0.51 0.96 1.28 0.07 (1.17)
-----
```

```
internal waters. by random generation
```

11. Miscellaneous

```
RSA Lys Ser Tyr Thr Wat
-----
# of H 30 15 6 10 256
GuesWatH 0.61 0.96 1.22 0.96 0.98
Karplus 0.60 0.98 0.60 1.12 1.20
Ornstein 0.20 0.61 0.60 0.30 -
Ornstn(scaled) 0.49 0.89 0.76 0.93 (1.14)
-----
by random generation
1) A. T. Brunger and M. Karplus, Proteins, 4, 148 (1988).
2) M. B. Bass,, R. L. Ornstein, Proteins, 12, 266 (1992).
* The accuracies seem to be similar among three approaches
if scaled values of Ornstein's data are considered.
```

FILES

Default for <prmtop-file> is "prmtop". The input-pdb-file must have been generated by LEaP or ambpdb, *i.e.* it must have exactly the same atoms (in the same order) as the prmtop file.

11.5. fantasian

A program to evaluate magnetic anisotropy tensor parameters

```
Ivano Bertini
Depart. of Chemistry, Univ. of Florence, Florence, Italy
e-mail: bertini@riscl.lrm.fi.cnr.it
```

INPUT FILES:

Observed shifts file (pcshifts.in):

```
1st column --> residue number
2nd column --> residue name
3rd column --> proton name
4th column --> observed pseudocontact shift value
5th column --> multiplicity of the NMR signal (for example it is 3 for of a methyl gro
6th column --> relative tolerance
7th column --> relative weight
```

Amber pdb file (parm.pdb): coordinates file in PDB format. If you need to use a solution NMR family of structures you have to superimpose the structures before to use them.

OUTPUT FILES:

Observed out file (obs.out): This file is built and read by the program itself, it reports the data read from the input files.

output file (res.out): The main output file. In this file the result of the fitting is reported. Using fantasian it is possible to define an internal reference system to visualize the orientation of the

tensor axes. Then in this file you can find PDB format lines (ATOM) which can be included in a PDB file to visualize the internal reference system and the tensor axes. In the main output file all the three equivalent permutations of the tensor parameters with respect to the reference system are reported. The summary of the minimum and maximum errors and that of squared errors are also reported.

Example files: in the directory `example` there are all the files necessary to run a fantasian calculation:

```
fantasian.com --> run file
pcshifts.in --> observed shifts file
parm.pdb --> coordinate file in PDB format
obs.out --> data read from input files
res.out --> main output file ~
```

11.6. *elsize*

NAME

`elsize` - Given the structure, estimates its effective electrostatic size (parameter

SYNOPSIS

```
Usage: elsize input-pqr-file [-options]
-det an estimate based on structural invariants. DEFAULT.
-ell an estimate via elliptic integral (numerical).
-elf same as above, but via elementary functions.
-abc prints semi-axes of the effective ellipsoid.
-tab prints all of the above into a table without header.
-hea prints same table as -tab but with a header.
-deb prints same as -tab with some debugging information.
-xyz uses a file containing only XYZ coordinates.
```

DESCRIPTION

elsize is a program originally written by G. Sigalov to estimate the effective electrostatic size of a structure via a quick, analytical method. The algorithm is presented in detail in Ref. . [68] You will need your structure in a pqr format as input, which can be easily obtained from the `prmtop` and `inpcrd` files using *ambpdb* utility described above:

```
ambpdb -p prmtop -pqr < inpcrd > input-file-pqr
```

After that you can simply do: *elsize input-file-pqr* , the value of electrostatic size in Angstroms will be output on stdout. The source code is in the `src/etc/` directory, its comments contain more extensive description of the options and give an outline of the algorithm. A somewhat less accurate estimate uses just the XYZ coordinates of the molecule and assumes the default radius size of for all atoms:

11. Miscellaneous

```
elsize input-file-xyz
```

This option is not recommended for very small compounds. The code should not be used on structures made up of two or more completely disjoint" compounds – while the code will still produce a finite value of *Arad* , it is not very meaningful. Instead, one should obtain estimates for each compound separately.

A. Namelist Input Syntax

Namelist provides list-directed input, and convenient specification of default values. It dates back to the early 1960's on the IBM 709, but was regrettably not part of Fortran 77. It is a part of the Fortran 90 standard, and is supported as well by most Fortran 77 compilers (including g77).

Namelist input groups take the form:

```
&name  
var1=value, var2=value, var3(sub)=value,  
var4(sub,sub,sub)=value,value,  
var5=repeat*value,value,  
/
```

The variables must be names in the Namelist variable list. The order of the variables in the input list is of no significance, except that if a variable is specified more than once, later assignments may overwrite earlier ones. Blanks may occur anywhere in the input, except embedded in constants (other than string constants, where they count as ordinary characters).

It is common in older inputs for the ending "/" to be replaced by "&end"; this is non-standard-conforming.

Letter case is ignored in all character comparisons, but case is preserved in string constants. String constants must be enclosed by single quotes (''). If the text string itself contains single quotes, indicate them by two consecutive single quotes, e.g. C1' becomes 'C1'' as a character string constant.

Array variables may be subscripted or unsubscripted. An unsubscripted array variable is the same as if the subscript (1) had been specified. If a subscript list is given, it must have either one constant, or exactly as many as the number in the declared dimension of the array. Bounds checking is performed for ALL subscript positions, although if only one is given for a multi-dimension array, the check is against the entire array size, not against the first dimension. If more than one constant appears after an array assignment, the values go into successive locations of the array. It is NOT necessary to input all elements of an array.

Any constant may optionally be preceded by a positive (1,2,3,..) integer repeat factor, so that, for example, 25*3.1415 is equivalent to twenty-five successive values 3.1415. The repeat count separator, *, may be preceded and followed by 0 or more blanks. Valid LOGICAL constants are 0, F, .F., .FALSE., 1, T, .T., and .TRUE.; lower case versions of these also work.

A. *Namelist Input Syntax*

B. GROUP Specification

This section describes the format used to define groups of atoms in various AMBER programs. In *sander*, a group can be specified as a movable "belly" while the other atoms are fixed absolutely in space (aside from scaling caused by constant pressure simulation), and/or a group of movable atoms can independently restrained (held by a potential) at their positions. In *anal*, groups can be defined for energy analysis.

Except in the analysis module where different groups of atoms are considered with different group numbers for energy decomposition, in all other places the groups of atoms defined are considered as marked atoms to be included for certain types of calculations. In the case of constrained minimization or dynamics, the atoms to be constrained are read as groups with a different weight for each group.

Reading of groups is performed by the routine RGROUP, and you are advised to consult it if there is still some ambiguity in the documentation.

Input description:

```
- 1 - Title format (20a4)
ITITL Group title for identification.
Setting ITITL = 'END' ends group input.
-----

- 1A - Weight format (f)
This line is only provided/read when using GROUP input to
define restrained atoms.
WT The harmonic force constants in kcal/mol-A**2 for the group
of atoms for restraining to a reference position.
-----

- 1B - Control to define the group
KTYPG , (IGRP(I) , JGRP(I) , I = 1,7) format (a,14i)
KTYPG Type of atom selection performed. A molecule can be
defined by using only 'ATOM' or 'RES', or part of the
molecule can be defined by 'ATOM' and part by 'RES'.
'ATOM' The group is defined in terms of atom numbers. The atom
number list is given in igrp and jgrp.
'RES' The group is defined in terms of residue numbers. The
residue number list is given in igrp and jgrp.
'FIND' This control is used to make additional conditions
(apart from the 'ATOM' and 'RES' controls) which a given
atom must satisfy to be included in the current group.
The conditions are read in the next section (1C) and are
terminated by a SEARCH card.
Note that the conditions defined by FIND filter any set(s) of atoms
defined by the following ATOM/RES instructions. For example,
-- group input: select main chain atoms --
FIND
```

B. GROUP Specification

```
* * M *
SEARCH
RES 1 999
END
END
'END' End input for the current group. Followed by either another
group definition (starting again with line 1 above), or by a second
'END' "card", which terminates all group input.
IGRP(I) , JGRP(I)
The atom or residue pointers. If ktypg .eq. 'ATOM' all
atoms numbered from igrp(i) to jgrp(i) will be put into
the current group. If ktypg .eq. 'RES' all atoms in the
residues numbered from igrp(i) to jgrp(i) will be put
into the current group. If igrp(i) = 0 the next control
card is read.
It is not necessary to fill groups according to the
numerical order of the residues. In other words, Group 1
could contain residues 40-95 of a protein, Group 2 could
contain residues 1-40 and Group 3 could contain residues
96-105.
If ktypg .eq. 'RES', then associating a minus sign with
igrp(i) will cause all residues igrp(i) through jgrp(i)
to be placed in separate groups.
In the analysis modules, all atoms not explicitly defined
as members of a group will be combined as a unit in the
(n + 1) group, where the (n) group in the last defined
group.
-----
- 1C - Section to read atom characteristics
***** Read only if KTYPG = 'FIND' *****
JGRAPH(I) , JSYMBL(I) , JTREE(I) , JRESNM(I) format(4a)
A series of filter specifications are read. Each filter consists
of four fields (JGRAPH,JSYMBL,JTREE,JRESNM), and each filter is placed
on a separate line. Filter specification is terminated by a line with
JGRAPH = 'SEARCH'. A maximum of 10 filters may be specified for a
single 'FIND' command.
The union of the filter specifications is applied to the atoms defined
by the following ATOM/RES cards. I.e. if an atom satisfies any of the
filters, it will be included in the current group. Otherwise, it is not
included. For example, to select all non main chain atoms from residues
1 through 999:
-- group input: select non main chain atoms --
FIND
* * S *
* * B *
* * 3 *
* * E *
SEARCH
RES 1 999
END
```



```

END
'END' End input for the current group. Followed by either another
The four fields for each filter line are:
JGRAPH(I) The atom name of atom to be included. If this and the
following three characteristics are satisfied the atom is
included in the group. The wild card '*' may be used to
to indicate that any atom name will satisfy the search.
JSYMBL(I) Amber atom type of atom to be included. The wild card
'*' may be used to indicate that any atom type will
satisfy the search.
JTREE(I) The tree name (M, S, B, 3, E) of the atom to be included.
The wild card '*' may be used to indicate that any tree
name will satisfy the search.
JRESNM(I) The residue name to which the atom has to belong to be
included in the group. The wild card '*' may be used to
indicate that any residue name will satisfy the search.
-----

```

Examples:

The molecule 18-crown-6 will be used to illustrate the group options. This molecule is composed of six repeating (-CH₂-O-CH₂-) units. Let us suppose that one created three residues in the PREP unit: CRA, CRB, CRC. Each of these is a (-CH₂-O-CH₂-) moiety and they differ by their dihedral angles. In order to construct 18-crown-6, the residues CRA, CRB, CRC, CRB, CRC, CRB are linked together during the LINK module with the ring closure being between CRA(residue 1) and CRB(residue 6).

Input 1:

```

Title one
RES 1 5
END
Title two
RES 6
END
END

```

Output 1: Group 1 will contain residues 1 through 5 (CRA, CRB, CRC, CRB, CRC) and Group 2 will contain residue 6 (CRB).

Input 2:

```

Title one
RES 1 5
END
Title two
ATOM 36 42
END
END

```

Output 2: Group 1 will contain residues 1 through 5 (CRA, CRB, CRC, CRB, CRC) and Group 2 will contain atoms 36 through 42. Coincidentally, atoms 36 through 42 are also all the atoms in residue 6.

B. GROUP Specification

Input 3:

```
Title one
RES -1 6
END
END
```

Output 3: Six groups will be created; Group 1: CRA, Group 2: CRB,..., Group 6: CRB.

Input 4:

```
Title one
FIND
O2 OS M CRA
SEARCH
RES 1 6
END
END
```

Output 4: Group 1 will contain those atoms with the atom name 'O2', atom type 'OS', tree name 'M' and residue name 'CRA'.

Input 5:

```
Title one
FIND
O2 OS * *
SEARCH
RES 1 6
END
END
```

Output 5: Group 1 will contain those atoms with the atom name 'O2', atom type 'OS', any tree name and any residue name.

C. EVB output file specifications

This section describes the contents of the EVB output file *evbout*. The data type of each variable is enclosed in $\{\dots\}$, while the size of each array variable is enclosed in $[\dots]$. Below are the formatting specifications for the output data:

```
100 format( A/, A )
200 format( A/, I8 )
300 format( A/, 3(2X,I8), 2X, F14.8 )
400 format( A/, 2I8, F14.8 )
500 format( A/, 2I8, F14.8, 2X, F14.8 )
600 format( A/, 3I8, F14.8, 2X, F14.8 )
888 format( A, 2X, I10, 2X, A, 2X, F20.8 )
1000 format( A/, (5(2X,F20.8)) )
```

The EVB output file begins with the following header information:

```
write(evb_unit,'/')
write(evb_unit,100) ' [DYNAMICS TYPE]: ', trim(adjustl(evb_dyn))
write(evb_unit,'/')
write(evb_unit,200) ' [NBEAD]: ', ncopy
write(evb_unit,'/')
write(evb_unit,300) ' [NEVB] [NBIAS] [NTW_EVB] [DT]: ' &
, nevb, nbias, ntw_evb, dt
write(evb_unit,'/')
```

```
evb_dyn      : {character*512} EVB dynamics specification.
ncopy        : {integer} No. of PIMD slices. Classical EVB  $\Rightarrow$  ncopy = 1.
nevb         : {integer} No. of diabatic states.
nbias        : {integer} No. of biasing potentials included in  $V_{el0}$ .
ntw_evb      : {integer} No. of MD steps between output to evbout file.
dt           : {real} MD time step size (ps).
```

```
! Output ONLY if performing mapping potential dynamics.
do n = 1, nbias
  write(evb_unit,400) ' [MAPPING POTENTIAL]: ni, nf, lambda ' &
, bias_ndx(n,1), bias_ndx(n,2), lambda(n)
enddo

! Output ONLY if performing umbrella sampling on an energy gap RC.
do n = 1, nbias
  write(evb_unit,500) ' [NRG_GAP UMBRELLA]: ni, nf, k, ezero ' &
, bias_ndx(n,1), bias_ndx(n,2), k_umb(n), r0_umb(n)
enddo
```

C. EVB output file specifications

```

bias_ndx(:,:)      : {integer}, [nbias,2]. Valence bond state index.
lambda(:)          : {real}, [nbias].  $V_\lambda = (1-\lambda)V_{ii} + \lambda V_{ff}$ .
k0_umb(:)          : {real}, [nbias]. Umbrella force constant.
r0_umb(:)          : {real}, [nbias]. RC anchor point for umbrella sampling.

```

```

! Output ONLY if sampling involves the difference of distances RC.
do n = 1, nbias
  write(evb_unit,600) &
    ' [DBONDS UMBRELLA]:  iatom, jatom, katom, k, ezero ' &
    , dbonds_RC(n)%iatom, dbonds_RC(n)%jatom &
    , dbonds_RC(n)%katom, k_umb(n), r0_umb(n)
enddo

! Output ONLY if sampling involves a distance RC.
do n = 1, nbias
  write(evb_unit,500) ' [BOND UMBRELLA]:  iatom, jatom, k, ezero ' &
    , bond_RC(n)%iatom, bond_RC(n)%jatom, k_umb(n), r0_umb(n)
enddo

```

```

dbonds_RC(:)       : {derived type}, [nbias].
                    %iatom {integer} index of atom involved in  $r_{ij}$ .
                    %jatom {integer} index of atom involved in  $r_{ij}$ .
                    %katom {integer} index of atom involved in  $r_{kj}$ .
bond_RC(:)         : {derived type}, [nbias].
                    %iatom {integer} index of atom involved in  $r_{ij}$ .
                    %jatom {integer} index of atom involved in  $r_{ij}$ .
k0_umb(:)          : {real}, [nbias]. Umbrella force constant.
r0_umb(:)          : {real}, [nbias]. RC anchor point for umbrella sampling.

```

The following data is output every `ntw_evb` steps:

```

write(evb_unit,'/')
write(evb_unit,888) '{NSTEP}: ', nstep, '{TIME}: ', nstep*dt

```

```

nstep              : {integer}. MD step counter.
nstep*dt           : {real}. Time (ps).

```

```

! Output ONLY if the nuclei are NOT quantized.
write(evb_unit,'(A)')
write(evb_unit,1000) ' [EVB MATRIX]', evb_Hmat%evb_mat(:,:)
write(evb_unit,'(A)')
write(evb_unit,1000) ' [EVB VEC_0]', evb_Hmat%evb_vec0(:)

```

```

evb_Hmat%evb_mat(:,:) : {real}, [nevb,nevb]. EVB matrix elements.
evb_Hmat%evb_vec0(:)  : {real}, [nevb]. ground-state EVB vector.

```

```

! Output ONLY if the nuclei are quantized.
write(evb_unit,'(A)')
write(evb_unit,1000) ' [EVB MATRIX]', evb_matrix(:,:) write(evb_unit,'(A)')
write(evb_unit,1000) ' [EVB VEC_0^2]', evb_pop(:) * nbead_inv

```

```

evb_matrix(:, :)      : {real}, [nevb, nevb].  $\frac{1}{P} \sum_1^P \begin{bmatrix} V_{11} & \dots & V_{1n} \\ \vdots & \ddots & \vdots \\ V_{n1} & \dots & V_{nn} \end{bmatrix}_P$ .
evb_pop(:)*nbead_inv  : {real}, [nevb].  $\frac{1}{P} \sum_1^P [C_0^2]_P$ .

```

```

! Output if performing ground-state dynamics.
write(evb_unit, 'A')
write(evb_unit, 1000) '{VELO_PIMD}: ', ( nrg_frc(n), n = 1, 3 )

```

```

nrg_frc(:)           : {real}, [3]. KE +  $V_{el0}$ , KE,  $V_{el0}$  in kcal/mol.

```

```

! Output if performing umbrella sampling
write(evb_unit, 'A')
write(evb_unit, 1000) '[RC EVB]', ( evb_bias%RC(n), n = 1, nbias )

! Output if performing umbrella sampling with nuclear quantization
write(evb_unit, 'A')
write(evb_unit, 999) '{VELO_PIMD}: ', ( nrg_frc(n), n = 1, 3 )

```

```

evb_bias%RC(:)      : {real}, [nbias]. RC value.
nrg_frc(:)          : {real}, [3]. KE +  $V_{el0}$ , KE,  $V_{el0}$  in kcal/mol.

```

```

! Output if performing TI by mass
write(evb_unit, 'A')
write(evb_unit, 1000) '{TI MASS: (d/dl) V_eff}: ', dV_dl

```

```

dV_dl               : {real}.  $dV_{eff}/d\lambda$  [Eq. (5.36)].

```

```

! Output only if out_RCdot = .true.
write(evb_unit, 'A')
write(evb_unit, 1000) '{TST: (d/dt) RC}: ', RCdot

```

```

RCdot               : {real}.  $\left| \dot{\xi} \right|$  [Eq. (5.15)].

```

```

! Output if performing qi_bond_dyn or qi_dbonds_dyn
write(evb_unit, 'A')
write(evb_unit, 1000) '{QI rate: f_v, F, G}: ', f_v, F, G

```

```

f_v                 : {real}.  $f_v$  [Eq. (5.27)].
F                   : {real}.  $F$  [Eq. (5.28)].
G                   : {real}.  $G$  [Eq. (5.29)].

```

C. EVB output file specifications

D. Distributed Gaussian EVB format specifications

The distributed Gaussian EVB method in Amber provides native support for the *Gaussian* [99] formatted checkpoint file. Support for other electronic structure packages is provided via the Amber EVB format. The user will need to write a script that converts outputs from these other electronic structure packages to the Amber EVB format. While the DG EVB method utilizes the internal coordinate representation of the molecular system by default, Cartesian gradient and Hessian information can be used for the DG fitting procedure. Amber has the machinery to automatically transform from Cartesians to internals based on the specified internal coordinate definitions. Both flavors of the EVB formatted ab initio data files utilize the following fixed formatting where applicable (see the **read** statements below and examples in the test/evb directory):

```
1000 format( 5( 1PE16.8 ) )
3000 format( 4I12 )
```

D.1. Cartesian coordinate representation

```
[coordinate type]
```

```
use_cartesians
```

```
read( ioe, '(A)' ) coord_type
```

```
coord_type == "use_cartesians" => gradient & Hessian in Cartesians
```

```
[external evb data dimension]
```

```
56      12      13      19      24
```

```
read( ioe, '(5I12)' ) ncoord, natm, nbond, nangle, ndihed
```

```
ncoord      : total No. of internal coordinates
natm        : No. of atoms
nbond       : No. of bonds
nangle      : No. of angles
ndihed     : No. of proper dihedrals
```


D. Distributed Gaussian EVB format specifications

```
[redundant internal coordinates]
  2.57516094E+00  2.54225222E+00  2.41077005E+00  2.67027840E+00  2.43908613E+00
  :
  :
```

```
read( ioe, 1000 ) ( xdat%q(n), n = 1, ncoord )
read( ioe, * )
read_qint = .true.
```

```
[electronic energy]
-3.226440399344254E+02
```

```
read( ioe, * ) xdat%v
read( ioe, * )
```

```
[redundant internal gradient]
-3.16984808E-07 -1.14744500E-07 -2.60042682E-08 -5.64233681E-08  3.56746392E-08
  :
  :
```

```
read( ioe, 1000 ) ( xdat%d(n), n = 1, ncoord )
read( ioe, * )
```

```
[redundant internal hessian]
  2.75181669E-01  9.43369526E-03  4.31679400E-01  5.40885192E-02  1.51723420E-03
  :
  :
```

```
read( ioe, 1000 ) ( ih(n), n = 1, ncoord*(ncoord+1)/2 )
read( ioe, * )
```

ih(:) : lower triangle of internal coordinate Hessian.

E. AMBER Trajectory NetCDF Format

John Mongan (jmongan@mccammon.ucsd.edu)

E.1. Introduction

The file format described in this document was developed for storing data generated by molecular dynamics simulations. It was introduced in version 9 of the AMBER suite of programs (<http://amber.scripps.edu>).

The primary design goals of this format are:

- Efficient input and output
- Compact, high-precision representation of data
- Portability of data files across different machine architectures
- Extensibility of the format (ability to add additional data without re-writing parsers)
- Compatibility with existing tools and formats

The file format is based on the NetCDF (Network Common Data Form) developed by Unidata (<http://www.unidata.ucar.edu/software/netcdf/>). NetCDF is designed for representation of arbitrary array-based data. Unidata provides libraries with bindings in C, C++, Fortran (F77 and F90), Java, Python, Perl, Ruby and MATLAB for reading and writing NetCDF files. The design goals above are largely met by NetCDF and the libraries that implement it. It is expected that all I/O of the format described here will occur through these libraries; this specification describes the file format at a high level in terms of the API implemented by version 3.6 of these libraries. In NetCDF terms, this document is a “Convention,” describing the names, dimensions and attributes of the arrays that may be present in the file.

E.2. Program behavior

Programs creating trajectory files (“creators”) shall adhere strictly to the requirements of this document. Programs reading trajectory files (“readers”) shall be as permissive as possible in applying the requirements of this document. Readers may emit warnings if out-of-spec files are encountered; these warnings should include information about the program that originally created the file (see Global attributes, section E.4). Readers shall not fail to read a file unless the required information cannot be located or interpreted. In particular, to ensure forward compatibility with later extensions of the format, readers shall not fail or emit warnings if elements not described in this document are present in the file.

E.3. NetCDF file encoding

Trajectory files shall be encoded in the manner employed by NetCDF version 3.x.

Those using NetCDF versions 4 or later should take care to ensure that files are read and written using this encoding, and not the HDF5 encoding.

Trajectory files shall use 64 bit offsets

This can be accomplished by setting a flag during file creation; refer to API docs for details.

E.4. Global attributes

Global attributes shall have type character string. Spelling and capitalization of attribute names shall be exactly as appears below. Creators shall include all attributes marked required and may include attributes marked optional. Creators shall not write an attribute string having a length greater than 80 characters. Readers may warn about missing required attributes, but shall not fail, except in the case of a missing or unexpected *Conventions* or *ConventionVersion* attributes.

Conventions (required)

Contents of this attribute are a comma or space delimited list of tokens representing all of the conventions to which the file conforms. Creators shall include the string *AMBER* as one of the tokens in this list. In the usual case, where the file conforms only to this convention, the value of the attribute will simply be “AMBER”. Readers may fail if this attribute is not present or none of the tokens in the list are *AMBER*. Optionally, if the reader does not expect NetCDF files other than those conforming to the *AMBER* convention, it may emit a warning and attempt to read the file even when the *Conventions* attribute is missing.

ConventionVersion (required)

Contents are a string representation of the version number of this convention. Future revisions of this convention having the same version number may include definitions of additional variables, dimensions or attributes, but are guaranteed to have no incompatible changes to variables, dimensions or attributes specified in previous revisions. Creators shall set this attribute to “1.0”. If this attribute is present and has a value other than “1.0”, readers may fail or may emit a warning and continue. It is expected that the version of this convention will change rarely, if ever.

application (optional)

If the creator is part of a suite of programs or modules, this attribute shall be set to the name of the suite.

program (required)

Creators shall set this attribute to the name of the creating program or module.

programVersion (required)

Creators shall set this attribute to the preferred textual formatting of the current version number of the creating program or module.

title (optional)

Creators may set use this attribute to represent a user-defined title for the data represented in the file. Absence of a title may be indicated by omitting the attribute or by including it with an empty string value.

E.5. Dimensions

frame (required, length unlimited)

Coordinates along the frame dimension will generally represent data taken from different time steps, but may represent arbitrary conformation numbers when the trajectory file does not represent a true trajectory but rather a collection of conformations (e.g. from clustering).

spatial (required, length 3)

This dimension represents the three spatial dimensions (X,Y,Z), in that order.

atom (required, length set as appropriate)

Coordinates along this dimension are the indices of particles for which data is stored in the file. The length of this dimension may be different (generally smaller) than the actual number of particles in the simulation if the user chooses to store data for only a subset of particles.

cell_spatial (optional, length 3)

This dimension represents the three lengths (a,b,c) that define the size of the unit cell.

cell_angular (optional, length 3)

This dimension represents the three angles (alpha,beta,gamma) that define the shape of the unit cell.

label (optional, length set as appropriate)

This dimension is used for character strings in label variables where the label is longer than a single character. The length of this dimension is equal to the length of the longest label string.

E.6. Variables

Variables are described below as <type> <name>(<dimension> [,<dimension>..])

Note that the order of dimensions corresponds to the CDL and C APIs. When using the Fortran APIs, the order of dimensions should be reversed.

E.6.1. Label variables

Label variables shall be written by creators whenever their corresponding dimension is present. These variables are for self-description purposes, so readers may generally ignore them. Labels requiring more than one character per coordinate shall use the label dimension. Individual coordinate labels that are shorter than the length of the label dimension shall be space padded to the length of the label dimension.

char spatial(spatial)

Creators shall write the string “xyz” to this variable, indicating the labels for coordinates along the spatial dimension.

char cell_spatial(cell_spatial)

Creators shall write the string “abc” to this variable, indicating the labels for the three lengths defining the size of the unit cell.

char cell_angular(cell_angular, label)

Creators shall write the strings “alpha”, “beta”, “gamma” to this variable, naming the angles defining the shape of the unit cell.

E.6.2. Data variables

All data variables are optional. Some data variables have dependencies on other data variables, as described below. Creators shall define a *units* attribute of type character string for each variable as described below. Creators may define a *scale_factor* attribute of type float for each variable. Creators shall ensure that the units of data values, after being multiplied by the value of *scale_factor* (if it exists) are equal to that described by the *units* attribute. If a *scale_factor* attribute exists for a variable, readers shall multiply data values by the value of the *scale_factor* attribute before interpreting the data. This scaling burden is placed on the reader rather than the creator, as writing data is expected to be a more time-sensitive operation than reading it.

It is left as an implementation detail whether creators create a separate file for each variable grouping (e.g. coordinates and velocities) or a single file containing all variables. Some creators may allow the user to select the approach. Readers should support reading both styles, that is, combining data from multiple files or reading it all from a single file.

float time(frame) units = "picosecond"

When coordinates on the frame dimension have a temporal sequence (e.g. they form a molecular dynamics trajectory), creators shall define this dimension and write a float for each frame coordinate representing the number of picoseconds of simulated time elapsed since the start of the trajectory. When the file stores a collection of conformations having no temporal sequence, creators shall omit this variable.

float coordinates(frame, atom, spatial) units = "angstrom"

This variable shall contain the Cartesian coordinates of the specified particle for the specified frame.

float cell_lengths(frame, cell_spatial) units = "angstrom"

When the *coordinates* variable is included *and* the data in the *coordinates* variable come from a simulation with periodic boundaries, creators shall include this variable. This variable shall represent the lengths (a,b,c) of the unit cell for each frame. When each of the angles in *cell_angles* is 90, a, b and c are parallel to the x, y and z axes, respectively. If the simulation has one or two dimensional periodicity, then the length(s) corresponding to spatial dimensions in which there is no periodicity shall be set to zero.

float cell_angles(frame, cell_angular) units = "degree"

Creators shall include this variable if and only if they include the *cell_lengths* variable. This variable shall represent the angles (α, β, γ) defining the unit cell for each frame. α defines the angle between the a-b and a-c planes, β defines the angle between the a-b and b-c planes and γ defines the angle between the a-c and b-c planes. Angles that are undefined due to less than three dimensional periodicity shall be set to zero.

float velocities(frame, atom, spatial) units = "angstrom/picosecond"

When the *velocities* variable is present, it shall represent the cartesian components of the velocity for the specified particle and frame. It is recognized that due to the nature of commonly used integrators in molecular dynamics, it may not be possible for the creator to write a set of velocities corresponding to exactly the same point in time as defined by the *time* variable and represented in the *coordinates* variable. In such cases, the creator shall write a set of velocities from the nearest point in time to that represented by the specified frame.

E.7. Example

The following is an example of the CDL for a trajectory file conforming to the preceding specification and containing most of the elements described in this document. This CDL was generated using `ncdump -h <trajectory file>`.

E. AMBER Trajectory NetCDF Format

```
netcdf mdtrj {
dimensions:
    frame = UNLIMITED ; // (10 currently)
    spatial = 3 ;
    atom = 28 ;
    cell_spatial = 3 ;
    cell_angular = 3 ;
    label = 5 ;
variables:
    char spatial(spatial) ;
    char cell_spatial(cell_spatial) ;
    char cell_angular(cell_angular, label) ;
    float time(frame) ;
        time:units = "picosecond" ;
    float coordinates(frame, atom, spatial) ;
        coordinates:units = "angstrom" ;
    float cell_lengths(frame, cell_spatial) ;
        cell_lengths:units = "angstrom" ;
    float cell_angles(frame, cell_angular) ;
        cell_angles:units = "degree" ;
    float velocities(frame, atom, spatial) ;
        velocities:units = "angstrom/picosecond" ;
        velocities:scale_factor = 20.455f ;
// global attributes:
    :title = "netCDF output test" ;
    :application = "AMBER" ;
    :program = "sander" ;
    :programVersion = "9.0" ;
    :Conventions = "AMBER" ;
    :ConventionVersion = "1.0" ;
}
```

E.8. Extensions and modifications

Standards and formats are most useful when they are supported widely, and become less useful and more burdensome if they fragment into multiple dialects. If you plan to support additional variables, dimensions or attributes beyond those described here in a publicly released creator or reader program, please contact the author (jmongan@mccammon.ucsd.edu) for inclusion of these elements into a future revision of this document.

E.9. Revision history

- Revision A, February 9, 2006: Initial document

E.9. Revision history

- Revision B, February 15, 2006: Better self-description for unit cells in periodic simulations; standards for indicating one and two dimensional periodicity.

E. AMBER Trajectory NetCDF Format

Bibliography

- [1] Dormann, K.L.; Brueckner, R. Variable Synthesis of the Optically Active Thiotetronic Acid Antibiotics Thiolactomycin, Thiotetromycin, and 834-B1. *Angew. Chem. Int. Ed.*, **2007**, *46*, 1160–1163.
- [2] Dormann, K.L.; Steinbrecher, T.; Grond, S.; Labahn, A.; Brueckner, R. Undecided. *Chemistry (in preparation)*, **2008**.
- [3] Pearlman, D.A.; Case, D.A.; Caldwell, J.W.; Ross, W.S.; Cheatham, T.E. III; DeBolt, S.; Ferguson, D.; Seibel, G.; Kollman, P. AMBER, a package of computer programs for applying molecular mechanics, normal mode analysis, molecular dynamics and free energy calculations to simulate the structural and energetic properties of molecules. *Comp. Phys. Commun.*, **1995**, *91*, 1–41.
- [4] Case, D.A.; Cheatham, T.; Darden, T.; Gohlke, H.; Luo, R.; Merz, K.M. Jr.; Onufriev, A.; Simmerling, C.; Wang, B.; Woods, R. The Amber biomolecular simulation programs. *J. Computat. Chem.*, **2005**, *26*, 1668–1688.
- [5] Ponder, J.W.; Case, D.A. Force fields for protein simulations. *Adv. Prot. Chem.*, **2003**, *66*, 27–85.
- [6] Cheatham, T.E. III; Young, M.A. Molecular dynamics simulation of nucleic acids: Successes, limitations and promise. *Biopolymers*, **2001**, *56*, 232–256.
- [7] Harvey, S.; McCammon, J.A. *Dynamics of Proteins and Nucleic Acids*. Cambridge University Press, Cambridge, 1987.
- [8] Leach, A.R. *Molecular Modelling. Principles and Applications, Second Edition*. Prentice-Hall, Harlow, England, 2001.
- [9] Allen, M.P.; Tildesley, D.J. *Computer Simulation of Liquids*. Clarendon Press, Oxford, 1987.
- [10] Frenkel, D.; Smit, B. *Understanding Molecular Simulation: From Algorithms to Applications. Second edition*. Academic Press, San Diego, 2002.
- [11] van Gunsteren, W.F.; Weiner, P.K.; Wilkinson, A.J. eds. *Computer Simulations of Biomolecular Systems, Vol. 3*. ESCOM Science Publishers, Leiden, 1997.
- [12] Pratt, L.R.; Hummer, G. eds. *Simulation and Theory of Electrostatic Interactions in Solution*. American Institute of Physics, Melville, NY, 1999.
- [13] Becker, O.; MacKerell, A.D.; Roux, B.; Watanabe, M. eds. *Computational Biochemistry and Biophysics*. Marcel Dekker, New York, 2001.

Bibliography

- [14] Vincent, J.J.; Merz, K.M. Jr. A highly portable parallel implementation of AMBER4 using the message passing interface standard. *J. Comput. Chem.*, **1995**, *16*, 1420–1427.
- [15] Cheatham, T.E. III; Brooks, B.R.; Kollman, P.A. in *Current Protocols in Nucleic Acid Chemistry*, pp Sections 7.5, 7.8, 7.9, 7.10. Wiley, New York, 1999.
- [16] Kopitz, H.; Zivkovic, A.; Engels, J.W.; Gohlke, H. Determinants of the unexpected stability of RNA fluorobenzene self pairs: Unveiling the Janus face of organic fluorine. *in preparation*, **2008**.
- [17] Wu, X.; Brooks, B.R. Self-guided Langevin dynamics simulation method. *Chem. Phys. Lett.*, **2003**, *381*, 512–518.
- [18] Morishita, T. Fluctuation formulas in molecular-dynamics simulations with the weak coupling heat bath. *J. Chem. Phys.*, **2000**, *113*, 2976.
- [19] Mudi, A.; Chakravarty, C. Effect of the Berendsen thermostat on the dynamical properties of water. *Mol. Phys.*, **2004**, *102*, 681–685.
- [20] Berendsen, H.J.C.; Postma, J.P.M.; van Gunsteren, W.F.; DiNola, A.; Haak, J.R. Molecular dynamics with coupling to an external bath. *J. Chem. Phys.*, **1984**, *81*, 3684–3690.
- [21] Harvey, S.C.; Tan, R.K.; Cheatham, T.E. III. The flying ice cube: Velocity rescaling in molecular dynamics leads to violation of energy equipartition. *J. Comput. Chem.*, **1998**, *19*, 726–740.
- [22] Andrea, T.A.; Swope, W.C.; Andersen, H.C. The role of long ranged forces in determining the structure and properties of liquid water. *J. Chem. Phys.*, **1983**, *79*, 4576–4584.
- [23] Andersen, H.C. Molecular dynamics simulations at constant pressure and/or temperature. *J. Chem. Phys.*, **1980**, *72*, 2384–2393.
- [24] Uberuaga, B.P.; Anghel, M.; Voter, A.F. Synchronization of trajectories in canonical molecular-dynamics simulations: Observation, explanation, and exploitation. *J. Chem. Phys.*, **2004**, *120*, 6363–6374.
- [25] Pastor, R.W.; Brooks, B.R.; Szabo, A. An analysis of the accuracy of Langevin and molecular dynamics algorithms. *Mol. Phys.*, **1988**, *65*, 1409–1419.
- [26] Loncharich, R.J.; Brooks, B.R.; Pastor, R.W. Langevin dynamics of peptides: The frictional dependence of isomerization rates of N-actylananyl-N'-methylamide. *Biopolymers*, **1992**, *32*, 523–535.
- [27] Izaguirre, J.A.; Catarello, D.P.; Wozniak, J.M.; Skeel, R.D. Langevin stabilization of molecular dynamics. *J. Chem. Phys.*, **2001**, *114*, 2090–2098.
- [28] Ryckaert, J.-P.; Ciccotti, G.; Berendsen, H.J.C. Numerical integration of the cartesian equations of motion of a system with constraints: Molecular dynamics of n-alkanes. *J. Comput. Phys.*, **1977**, *23*, 327–341.
- [29] Miyamoto, S.; Kollman, P.A. SETTLE: An analytical version of the SHAKE and RATTLE algorithm for rigid water models. *J. Comput. Chem.*, **1992**, *13*, 952–962.

- [30] Ren, P.; Ponder, J.W. Consistent treatment of inter- and intramolecular polarization in molecular mechanics calculations. *J. Comput. Chem.*, **2002**, *23*, 1497–1506.
- [31] Ren, P.; Ponder, J.W. Temperature and pressure dependence of the AMOEBA water model. *J. Phys. Chem. B*, **2004**, *108*, 13427–13437.
- [32] Darden, T.; York, D.; Pedersen, L. Particle mesh Ewald—an Nlog(N) method for Ewald sums in large systems. *J. Chem. Phys.*, **1993**, *98*, 10089–10092.
- [33] Essmann, U.; Perera, L.; Berkowitz, M.L.; Darden, T.; Lee, H.; Pedersen, L.G. A smooth particle mesh Ewald method. *J. Chem. Phys.*, **1995**, *103*, 8577–8593.
- [34] Crowley, M.F.; Darden, T.A.; Cheatham, T.E. III; Deerfield, D.W. II. Adventures in improving the scaling and accuracy of a parallel molecular dynamics program. *J. Supercomput.*, **1997**, *11*, 255–278.
- [35] Sagui, C.; Darden, T.A. in *Simulation and Theory of Electrostatic Interactions in Solution*, Pratt, L.R.; Hummer, G., Eds., pp 104–113. American Institute of Physics, Melville, NY, 1999.
- [36] Toukmaji, A.; Sagui, C.; Board, J.; Darden, T. Efficient particle-mesh Ewald based approach to fixed and induced dipolar interactions. *J. Chem. Phys.*, **2000**, *113*, 10913–10927.
- [37] Sagui, C.; Pedersen, L.G.; Darden, T.A. Towards an accurate representation of electrostatics in classical force fields: Efficient implementation of multipolar interactions in biomolecular simulations. *J. Chem. Phys.*, **2004**, *120*, 73–87.
- [38] Wu, X.; Brooks, B.R. Isotropic periodic sum: A method for the calculation of long-range interactions. *J. Chem. Phys.*, **2005**, *122*, 044107.
- [39] Klauda, J.B.; Wu, X.; Pastor, R.W.; Brooks, B.R. Long-Range Lennard-Jones and Electrostatic Interactions in Interfaces. *J. Phys. Chem. B*, **2007**, *111*, 4393–4400.
- [40] Takahashi, K.; Yasuoka, K.; Narumi, T. Cutoff radius effect of isotropic periodic sum method for transport. *J. Chem. Phys.*, **2007**, *127*, 114511.
- [41] Weiser, J.; Shenkin, P.S.; Still, W.C. Approximate Atomic Surfaces from Linear Combinations of Pairwise Overlaps (LCPO). *J. Computat. Chem.*, **1999**, *20*, 217–230.
- [42] Still, W.C.; Tempczyk, A.; Hawley, R.C.; Hendrickson, T. Semianalytical treatment of solvation for molecular mechanics and dynamics. *J. Am. Chem. Soc.*, **1990**, *112*, 6127–6129.
- [43] Schaefer, M.; Karplus, M. A comprehensive analytical treatment of continuum electrostatics. *J. Phys. Chem.*, **1996**, *100*, 1578–1599.
- [44] Edinger, S.R.; Cortis, C.; Shenkin, P.S.; Friesner, R.A. Solvation free energies of peptides: Comparison of approximate continuum solvation models with accurate solution of the Poisson-Boltzmann equation. *J. Phys. Chem. B*, **1997**, *101*, 1190–1197.

Bibliography

- [45] Jayaram, B.; Sprous, D.; Beveridge, D.L. Solvation free energy of biomacromolecules: Parameters for a modified generalized Born model consistent with the AMBER force field. *J. Phys. Chem. B*, **1998**, *102*, 9571–9576.
- [46] Cramer, C.J.; Truhlar, D.G. Implicit solvation models: Equilibria, structure, spectra, and dynamics. *Chem. Rev.*, **1999**, *99*, 2161–2200.
- [47] Bashford, D.; Case, D.A. Generalized Born models of macromolecular solvation effects. *Annu. Rev. Phys. Chem.*, **2000**, *51*, 129–152.
- [48] Onufriev, A.; Bashford, D.; Case, D.A. Modification of the generalized Born model suitable for macromolecules. *J. Phys. Chem. B*, **2000**, *104*, 3712–3720.
- [49] Lee, M.S.; Salsbury, F.R. Jr.; Brooks, C.L. III. Novel generalized Born methods. *J. Chem. Phys.*, **2002**, *116*, 10606–10614.
- [50] Dominy, B.N.; Brooks, C.L. III. Development of a generalized Born model parameterization for proteins and nucleic acids. *J. Phys. Chem. B*, **1999**, *103*, 3765–3773.
- [51] Tsui, V.; Case, D.A. Molecular dynamics simulations of nucleic acids using a generalized Born solvation model. *J. Am. Chem. Soc.*, **2000**, *122*, 2489–2498.
- [52] Calimet, N.; Schaefer, M.; Simonson, T. Protein molecular dynamics with the generalized Born/ACE solvent model. *Proteins*, **2001**, *45*, 144–158.
- [53] Onufriev, A.; Bashford, D.; Case, D.A. Exploring protein native states and large-scale conformational changes with a modified generalized Born model. *Proteins*, **2004**, *55*, 383–394.
- [54] Srinivasan, J.; Trevathan, M.W.; Beroza, P.; Case, D.A. Application of a pairwise generalized Born model to proteins and nucleic acids: inclusion of salt effects. *Theor. Chem. Acc.*, **1999**, *101*, 426–434.
- [55] Onufriev, A.; Case, D.A.; Bashford, D. Effective Born radii in the generalized Born approximation: The importance of being perfect. *J. Comput. Chem.*, **2002**, *23*, 1297–1304.
- [56] Hawkins, G.D.; Cramer, C.J.; Truhlar, D.G. Parametrized models of aqueous free energies of solvation based on pairwise descreening of solute atomic charges from a dielectric medium. *J. Phys. Chem.*, **1996**, *100*, 19824–19839.
- [57] Richards, F.M. Areas, volumes, packing, and protein structure. *Ann. Rev. Biophys. Bioeng.*, **1977**, *6*, 151–176.
- [58] Schaefer, M.; Froemmel, C. A precise analytical method for calculating the electrostatic energy of macromolecules in aqueous solution. *J. Mol. Biol.*, **1990**, *216*, 1045–1066.
- [59] Feig, M.; Onufriev, A.; Lee, M.; Im, W.; Case, D.A.; Brooks, C.L. III. Performance comparison of the generalized Born and Poisson methods in the calculation of the electrostatic solvation energies for protein structures. *J. Comput. Chem.*, **2004**, *25*, 265–284.

- [60] Hawkins, G.D.; Cramer, C.J.; Truhlar, D.G. Pairwise solute descreening of solute charges from a dielectric medium. *Chem. Phys. Lett.*, **1995**, *246*, 122–129.
- [61] Schaefer, M.; Van Vlijmen, H.W.T.; Karplus, M. Electrostatic contributions to molecular free energies in solution. *Adv. Protein Chem.*, **1998**, *51*, 1–57.
- [62] Tsui, V.; Case, D.A. Theory and applications of the generalized Born solvation model in macromolecular simulations. *Biopolymers (Nucl. Acid. Sci.)*, **2001**, *56*, 275–291.
- [63] Sosa, C.P.; Hewitt, T.; Lee, M.S.; Case, D.A. Vectorization of the generalized Born model for molecular dynamics on shared-memory computers. *J. Mol. Struct. (Theochem)*, **2001**, *549*, 193–201.
- [64] Roe, D.R.; Okur, A.; Wickstrom, L.; Hornak, V.; Simmerling, C. Secondary Structure Bias in Generalized Born Solvent Models: Comparison of Conformational Ensembles and Free Energy of Solvent Polarization from Explicit and Implicit Solvation. *J. Phys. Chem. B*, **2007**, *111*, 1846–1857.
- [65] Mongan, J.; Simmerling, C.; A. McCammon, J.; A. Case, D.; Onufriev, A. Generalized Born with a simple, robust molecular volume correction. *J. Chem. Theory Comput.*, **2006**, *3*, 156–169.
- [66] Sitkoff, D.; Sharp, K.A.; Honig, B. Accurate calculation of hydration free energies using macroscopic solvent models. *J. Phys. Chem.*, **1994**, *98*, 1978–1988.
- [67] Sigalov, G.; Scheffel, P.; Onufriev, A. Incorporating variable environments into the generalized Born model. *J. Chem. Phys.*, **2005**, *122*, 094511.
- [68] Sigalov, G.; Fenley, A.; Onufriev, A. Analytical electrostatics for biomolecules: Beyond the generalized Born approximation. *J. Chem. Phys.*, **2006**, *124*, 124902.
- [69] Luo, R.; David, L.; Gilson, M.K. Accelerated Poisson-Boltzmann calculations for static and dynamic systems. *J. Comput. Chem.*, **2002**, *23*, 1244–1253.
- [70] Lu, Q.; Luo, R. A Poisson-Boltzmann dynamics method with nonperiodic boundary condition. *J. Chem. Phys.*, **2003**, *119*, 11035–11047.
- [71] Honig, B.; Nicholls, A. Classical electrostatics in biology and chemistry. *Science*, **1995**, *268*, 1144–1149.
- [72] Sharp, K.A.; Honig, B. Electrostatic interactions in macromolecules: Theory and experiment. *Annu. Rev. Biophys. Biophys. Chem.*, **1990**, *19*, 301–332.
- [73] Davis, M.E.; McCammon, J.A. Electrostatics in biomolecular structure and dynamics. *Chem. Rev.*, **1990**, *90*, 509–521.
- [74] Gilson, M.K.; Sharp, K.A.; Honig, B.H. Calculating the electrostatic potential of molecules in solution: method. *J. Comput. Chem.*, **1988**, *9*, 327–35.
- [75] Warwicker, J.; Watson, H.C. Calculation of the electric potential in the active site cleft due to. *J. Mol. Biol.*, **1982**, *157*, 671–679.

Bibliography

- [76] Klapper, I.; Hagstrom, R.; Fine, R.; Sharp, K.; Honig, B. Focussing of electric fields in the active site of Cu, Zn superoxide dismutase. *Proteins*, **1986**, *1*, 47–59.
- [77] Tan, C. H.; Tan, Y. H.; Luo, R. Implicit nonpolar solvent models. *J. Phys. Chem. B*, **2007**, *111*, 12263–12274.
- [78] Gallicchio, E.; Kubo, M.M.; Levy, R.M. Enthalpy-entropy and cavity decomposition of alkane hydration free energies: Numerical results and implications for theories of hydrophobic solvation. *J. Phys. Chem.*, **2000**, *104*, 6271–6285.
- [79] Floris, F.; Tomasi, J. Evaluation of the dispersion contribution to the solvation energy. A simple computational model in the continuum approximation. *J. Comput. Chem.*, **1989**, *10*, 616–627.
- [80] Davis, M.E.; McCammon, J.A. Solving the finite-difference linearized Poisson-Boltzmann equation – a comparison of relaxation and conjugate gradient methods. *J. Comput. Chem.*, **1989**, *10*, 386–391.
- [81] Nicholls, A.; Honig, B. A rapid finite difference algorithm, utilizing successive over-relaxation to solve the Poisson-Boltzmann equation. *J. Comput. Chem.*, **1991**, *12*, 435–445.
- [82] Bashford, D. An object-oriented programming suite for electrostatic effects in biological molecules. *Lect. Notes Comput. Sci.*, **1997**, *1343*, 233–240.
- [83] Davis, M.E.; McCammon, J.A. Dielectric boundary smoothing in finite difference solutions of the Poisson equation: An approach to improve accuracy and convergence. *J. Comput. Chem.*, **1991**, *12*, 909–912.
- [84] Luty, B.A.; Davis, M.E.; McCammon, J.A. Electrostatic energy calculations by a finite-difference method: Rapid calculation of charge-solvent interaction energies. *J. Comput. Chem.*, **1992**, *13*, 768–771.
- [85] Tan, C. H.; Yang, L. J.; Luo, R. How well does Poisson-Boltzmann implicit solvent agree with explicit solvent? A quantitative analysis. *J. Phys. Chem. B*, **2006**, *110*, 18680–18687.
- [86] Warshel, A. *Computer Modeling of Chemical Reactions in Enzymes and Solutions*. John Wiley and Sons, New York, 1991.
- [87] Billeter, S.R.; Webb, S.P.; Jordanov, T.; Agarwal, P.K.; Hammes-Schiffer, S. Hybrid approach for including electronic and nuclear quantum effects in molecular dynamics simulations of hydrogen transfer reactions in enzymes. *J. Chem. Phys.*, **2001**, *114*, 6925.
- [88] Schlegel, H.B.; Sonnenberg, J.L. Empirical valence-bond models for reactive potential energy surfaces using distributed Gaussians. *J. Chem. Theory Comput.*, **2006**, *2*, 905.
- [89] Sonnenberg, J.L.; Schlegel, H.B. Empirical valence bond models for reactive potential energy surfaces. II. Intramolecular proton transfer in pyridone and the Claisen reaction of allyl vinyl ether. *Mol. Phys.*, **2007**, *105*, 2719.

- [90] Saad, Y.; Schultz, M.H. GMRES: A generalized minimal residual algorithm for solving nonsymmetric linear systems. *SIAM J. Sci. Stat. Comput.*, **1986**, *7*, 856.
- [91] Pulay, P. Convergence acceleration of iterative sequences. The case of SCF iteration. *Chem. Phys. Lett.*, **1980**, *73*, 393.
- [92] Pulay, P. Improved SCF convergence acceleration. *J. Comput. Chem.*, **1982**, *3*, 556.
- [93] Feynman, R.P.; Hibbs, A.R. *Quantum Mechanics and Path Integrals*. McGraw-Hill, New York, 1965.
- [94] Feynman, R.P. *Statistical Mechanics*. Benjamin, Reading, MA, 1972.
- [95] Kleinert, H. *Path Integrals in Quantum Mechanics, Statistics, and Polymer Physics*. World Scientific, Singapore, 1995.
- [96] Kumar, S.; Bouzida, D.; Swendsen, R.H.; Kollman, P.A.; Rosenberg, J.M. The weighted histogram analysis method for free-energy calculations on biomolecules. I. The method. *J. Comput. Chem.*, **1992**, *13*, 1011–1021.
- [97] Kumar, S.; Rosenberg, J.M.; Bouzida, D.; Swendsen, R.H.; Kollman, P.A. Multidimensional free-energy calculations using the weighted histogram analysis method. *J. Comput. Chem.*, **1995**, *16*, 1339–1350.
- [98] Roux, B. The calculation of the potential of mean force using computer simulations. *Comput. Phys. Comm.*, **1995**, *91*, 275–282.
- [99] Frisch, M. J.; Trucks, G. W.; Schlegel, H. B.; Scuseria, G. E.; Robb, M. A.; Cheeseman, J. R.; Montgomery, J. A. Jr.; Vreven, T.; Kudin, K. N.; Burant, J. C.; Millam, J. M.; Iyengar, S. S.; Tomasi, J.; Barone, V.; Mennucci, B.; Cossi, M.; Scalmani, G.; Rega, N.; Petersson, G. A.; Nakatsuji, H.; Hada, M.; Ehara, M.; Toyota, K.; Fukuda, R.; Hasegawa, J.; Ishida, M.; Nakajima, T.; Honda, Y.; Kitao, O.; Nakai, H.; Klene, M.; Li, X.; Knox, J. E.; Hratchian, H. P.; Cross, J. B.; Bakken, V.; Adamo, C.; Jaramillo, J.; Gomperts, R.; Stratmann, R. E.; Yazyev, O.; Austin, A. J.; Cammi, R.; Pomelli, C.; Ochterski, J. W.; Ayala, P. Y.; Morokuma, K.; Voth, G. A.; Salvador, P.; Dannenberg, J. J.; Zakrzewski, V. G.; Dapprich, S.; Daniels, A. D.; Strain, M. C.; Farkas, O.; Malick, D. K.; Rabuck, A. D.; Raghavachari, K.; Foresman, J. B.; Ortiz, J. V.; Cui, Q.; Baboul, A. G.; Clifford, S.; Cioslowski, J.; Stefanov, B. B.; Liu, G.; Liashenko, A.; Piskorz, P.; Komaromi, I.; Martin, R. L.; Fox, D. J.; Keith, T.; Al-Laham, M. A.; Peng, C. Y.; Nanayakkara, A.; Challacombe, M.; Gill, P. M. W.; Johnson, B.; Chen, W.; Wong, M. W.; Gonzalez, C.; Pople, J. A. Gaussian 03, Revision C.02. Gaussian, Inc., Wallingford, CT, 2004.
- [100] Rappe, A.K.; Casewit, C.J.; Colwell, K.S.; Goddard III, W.A.; Skiff, W.M. UFF, a Full Periodic Table Force Field for Molecular Mechanics and Molecular Dynamics Simulations. *J. Am. Chem. Soc.*, **1992**, *114*, 10024–10035.
- [101] Ren, P.Y.; Ponder, J.W. Polarizable atomic multipole water model for molecular mechanics simulation. *J. Phys. Chem. B*, **2003**, *107*, 5933–5947.
- [102] Ren, P.Y.; Ponder, J.W. Tinker polarizable atomic multipole force field for proteins. *to be published.*, **2006**.

Bibliography

- [103] Stewart, J.J.P. Optimization of parameters for semiempirical methods I. Method. *J. Comput. Chem.*, **1989**, *10*, 209–220.
- [104] Dewar, M.J.S.; Zoebisch, E.G.; Healy, E.F.; Stewart, J.J.P. AM1: A new general purpose quantum mechanical molecular model. *J. Am. Chem. Soc.*, **1985**, *107*, 3902–3909.
- [105] Rocha, G.B.; Freire, R.O.; Simas, A.M.; Stewart, J.J.P. RM1: A Reparameterization of AM1 for H, C, N, O, P, S, F, Cl, Br and I. *J. Comp. Chem.*, **2006**, *27*, 1101–1111.
- [106] Dewar, M.J.S.; Thiel, W. Ground states of molecules. 38. The MNDO method, approximations and parameters. *J. Am. Chem. Soc.*, **1977**, *99*, 4899–4907.
- [107] Repasky, M.P.; Chandrasekhar, J.; Jorgensen, W.L. PDDG/PM3 and PDDG/MNDO: Improved semiempirical methods. *J. Comput. Chem.*, **2002**, *23*, 1601–1622.
- [108] McNamara, J.P.; Muslim, A.M.; Abdel-Aal, H.; Wang, H.; Mohr, M.; Hillier, I.H.; Bryce, R.A. Towards a quantum mechanical force field for carbohydrates: A reparameterized semiempirical MO approach. *Chem. Phys. Lett.*, **2004**, *394*, 429–436.
- [109] Seabra, G.M.; Walker, R.C.; Elstner, M.; Case, D.A.; Roitberg, A.E. Implementation of the SCC-DFTB Method for Hybrid QM/MM Simulations within the Amber Molecular Dynamics Package. *J. Phys. Chem. A.*, **2007**, *20*, 5655–5664.
- [110] Porezag, D.; Frauenheim, T.; Kohler, T.; Seifert, G.; Kaschner, R. Construction of tight-binding-like potentials on the basis of density-functional-theory: Applications to carbon. *Phys. Rev. B*, **1995**, *51*, 12947.
- [111] Seifert, G.; Porezag, D.; Frauenheim, T. Calculations of molecules, clusters and solids with a simplified LCAO-DFT-LDA scheme. *Int. J. Quantum Chem.*, **1996**, *58*, 185.
- [112] Elstner, M.; Porezag, D.; Jungnickel, G.; Elsner, J.; Haugk, M.; Frauenheim, T.; Suhai, S.; Seifert, G. Self-consistent charge density functional tight-binding method for simulation of complex material properties. *Phys. Rev. B*, **1998**, *58*, 7260.
- [113] Elstner, M.; Hobza, P.; Frauenheim, T.; Suhai, S.; Kaxiras, E. Hydrogen bonding and stacking interactions of nucleic acid base pairs: a density-functional-theory based treatment. *J. Chem. Phys.*, **2001**, *114*, 5149.
- [114] Kalinowski, J.A.; Lesyng, B.; Thompson, J.D.; Cramer, C.J.; Truhlar, D.G. Class IV charge model for the self-consistent charge density-functional tight-binding method. *J. Phys. Chem. A*, **2004**, *108*, 2545–2549.
- [115] Walker, R.C.; Crowley, M.F.; Case, D.A. The implementation of a fast and efficient hybrid QM/MM potential method within The Amber 9.0 sander module. *J. Computat. Chem.*, **2008**, *29*, 1019–1031.
- [116] Pellegrini, E.; J. Field, M. A generalized-Born solvation model for macromolecular hybrid-potential calculations. *J. Phys. Chem. A.*, **2002**, *106*, 1316–1326.
- [117] Nam, K.; Gao, J.; York, D. An efficient linear-scaling Ewald method for long-range electrostatic interactions in combined QM/MM calculations. *J. Chem. Theory Comput.*, **2005**, *1*, 2–13.

- [118] Kruger, T.; Elstner, M.; Schiffels, P.; Frauenheim, T. Validation of the density-functional based tight-binding approximation. *J. Chem. Phys.*, **2005**, *122*, 114110.
- [119] Kollman, P. Free energy calculations: Applications to chemical and biochemical phenomena. *Chem. Rev.*, **1993**, *93*, 2395–2417.
- [120] Simonson, T. in *Computational Biochemistry and Biophysics*, Becker, O.; MacKerell, A.D.; Roux, B.; Watanabe, M., Eds. Marcel Dekker, New York, 2001.
- [121] Steinbrecher, T.; Case, D.A.; Labahn, A. A multistep approach to structure-based drug design: Studying ligand binding at the human neutrophil elastase. *J. Med. Chem.*, **2006**, *49*, 1837–1844.
- [122] Steinbrecher, T.; Hrenn, A.; Dormann, K.; Merfort, I.; Labahn, A. Bornyl (3,4,5-trihydroxy)-cinnamate - An optimized human neutrophil elastase inhibitor designed by free energy calculations. *Bioorg. Med. Chem.*, **2008**, *in press*.
- [123] Hummer, G.; Szabo, A. Calculation of free-energy differences from computer simulations of initial and final states. *J. Chem. Phys.*, **1996**, *105*, 2004–2010.
- [124] Steinbrecher, T.; Mobley, D.L.; Case, D.A. Non-linear scaling schemes for Lennard-Jones interactions in free energy calculations. *J. Chem. Phys.*, **2007**, *127*, 214108.
- [125] Deng, Y.; Roux, B. Calculation of standard binding free energies: Aromatic molecules in the T4 lysozyme L99A mutant. *J. Chem. Theor. Comput.*, **2006**, *2*, 1255–1273.
- [126] Valleau, J.P.; Torrie, G.M. in *Modern Theoretical Chemistry, Vol. 5: Statistical Mechanics, Part A*, Berne, B.J., Ed. Plenum Press, New York, 1977.
- [127] Kottalam, J.; Case, D.A. Dynamics of ligand escape from the heme pocket of myoglobin. *J. Am. Chem. Soc.*, **1988**, *110*, 7690–7697.
- [128] Kästner, J.; Thiel, W. Bridging the gap between thermodynamic integration and umbrella sampling provides a novel analysis method: "Umbrella integration". *J. Chem. Phys.*, **2005**, *123*, 144104.
- [129] Jensen, M.O.; Park, S.; d, E.Tajkhorshi; Schulten, K. Energetics of glycerol conduction through aquaglyceroporin GlpF. *Proc. Natl. Acad. Sci. USA*, **2002**, *99*, 6731–6736.
- [130] Crespo, A.; Marti, M.A.; Estrin, D.A.; Roitberg, A.E. Multiple-steering QM-MM calculation of the free energy profile in chorismate mutase. *J. Am. Chem. Soc.*, **2005**, *127*, 6940–6941.
- [131] Jarzynski, C. Nonequilibrium equality for free energy differences. *Phys. Rev. Lett.*, **1997**, *78*, 2690–2693.
- [132] Hummer, G.; Szabo, A. Free energy reconstruction from nonequilibrium single-molecule pulling experiments. *Proc. Natl. Acad. Sci. USA*, **2001**, *98*, 3658.
- [133] Hummer, G.; Szabo, A. Kinetics from nonequilibrium single-molecule pulling experiments. *Biophys. J.*, **2003**, *85*, 5–15.

Bibliography

- [134] Mitsutake, A.; Sugita, Y.; Okamoto, Y. Generalized-ensemble algorithms for molecular simulations of biopolymers. *Biopolymers*, **2001**, *60*, 96–123.
- [135] Nymeyer, H.; Gnanakaran, S.; García, A.E. Atomic simulations of protein folding using the replica exchange algorithm. *Meth. Enzymol.*, **2004**, *383*, 119–149.
- [136] Cheng, X.; Cui, G.; Hornak, V.; Simmerling, C. Modified replica exchange simulation methods for local structure refinement. *J. Phys. Chem. B*, **2005**, *109*, 8220–8230.
- [137] Okur, A.; Wickstrom, L.; Layten, M.; Geney, R.; Song, K.; Hornak, V.; Simmerling, C. Improved efficiency of replica exchange simulations through use of a hybrid explicit/implicit solvation model. *J. Chem. Theory Comput.*, **2006**, *2*, 420–433.
- [138] Okur, A.; Wickstrom, L.; Simmerling, C. Evaluation of salt bridge structure and energetics in peptides using explicit, implicit and hybrid solvation models. *J. Chem. Theory Comput.*, **2008**, *4*, 488–498.
- [139] Okur, A.; Roe, D.R.; Cui, G.; Hornak, V.; Simmerling, C. Improving convergence of replica-exchange simulations through coupling to a high-temperature structure reservoir. *J. Chem. Theory comput.*, **2007**, *3*, 557–568.
- [140] Roitberg, A.E.; Okur, A.; Simmerling, C. Coupling of replica exchange simulations to a non-Boltzmann structure reservoir. *J. Phys. Chem. B*, **2007**, *111*, 2415–2418.
- [141] Babin, V.; Roland, C.; Sagui, C. Adaptively biased molecular dynamics for free energy calculations. *J. Chem. Phys.*, **2008**, *128*, X–X.
- [142] Huber, Thomas; Torda, Andrew E.; van Gunsteren, Wilfred F. Local elevation: a method for improving the searching properties of molecular dynamics simulation. *J. Comput. Aided. Mol. Des.*, **1994**, *8*, 695–708.
- [143] Wang, Fugao; Landau, D. P. Efficient, multiple-range random walk algorithm to calculate the density of states. *Phys. Rev. Lett.*, Mar 2001, *86*(10), 2050–2053.
- [144] Darve, Eric; Pohorille, Andrew. Calculating free energies using average force. *J. Chem. Phys.*, **2001**, *115*(20), 9169–9183.
- [145] Laio, A.; Parrinello, M. Escaping free-energy minima. *Proc. Natl. Acad. Sci.*, **2002**, *99*, 12562–12566.
- [146] Iannuzzi, M.; Laio, A.; Parrinello, M. Efficient exploration of reactive potential energy surfaces using car-parrinello molecular dynamics. *Phys. Rev. Lett.*, **2003**, *90*, 238302–1.
- [147] Lelièvre, Tony; Rousset, Mathias; Stoltz, Gabriel. Computation of free energy profiles with parallel adaptive dynamics. *J. Chem. Phys.*, **2007**, *126*, 134111.
- [148] Raiteri, Paolo; Laio, Alessandro; Gervasio, Francesco Luigi; Micheletti, Cristian; Parrinello, Michele. Efficient reconstruction of complex free energy landscapes by multiple walkers metadynamics. *J. Phys. Chem.*, **2006**, *110*, 3533–3539.
- [149] Sugita, Yuji; Kitao, Akio; Okamoto, Yuko. Multidimensional replica-exchange method for free-energy calculations. *J. Chem. Phys.*, **2000**, *113*(15), 6042–6051.

- [150] Bussi, Giovanni; Gervasio, Francesco Luigi; Laio, Alessandro; Parrinello, Michele. Free-energy landscape for β hairpin folding from combined parallel tempering and metadynamics. *J. Am. Chem. Soc.*, **2006**, *128*, 13435–13441.
- [151] Piana, S.; Laio, A. A bias-exchange approach to protein folding. *J. Phys. Chem. B*, **2007**, *111*, 4553–4559.
- [152] Coutsias, E. A.; Seok, C.; Dill, K. A. Using quaternions to calculate RMSD. *J. Comput. Chem.*, **2004**, *25*(15), 1849–1857.
- [153] Park, Sanghyun; Khalili-Araghi, Fatemeh; Tajkhorshid, Emad; Schulten, Klaus. Free energy calculation from steered molecular dynamics simulations using Jarzynski's equality. *J. Chem. Phys.*, **2003**, *119*(6), 3559–3566.
- [154] Matsumoto, Makoto; Nishimura, Takuji. Mersenne twister: a 623-dimensionally equidistributed uniform pseudo-random number generator. *ACM Trans. Model. Comput. Simul.*, **1998**, *8*(1), 3–30.
- [155] Mills, G.; Jónsson, H. Quantum and thermal effects in H₂ dissociative adsorption: Evaluation of free energy barriers in multidimensional quantum systems. *Phys. Rev. Lett.*, **1994**, *72*, 1124–1127.
- [156] Jónsson, H.; Mills, G.; Jacobsen, K.W. in *Classical and Quantum Dynamics in Condensed Phase Simulations*, Berne, B.J.; Ciccotti, G.; Coker, D.F., Eds., pp 385–404. World Scientific, Singapore, 1998.
- [157] Elber, R.; Karplus M, M. A method for determining reaction paths in large molecules: Application to myoglobin. *Chem. Phys. Lett.*, **1987**, *139*, 375–380.
- [158] Henkelman, G.; Jónsson, H. Improved tangent estimate in the nudged elastic band method for finding minimum energy paths and saddle points. *J. Chem. Phys.*, **2000**, *113*, 9978–9985.
- [159] Henkelman, G.; Uberuaga, B.P.; Jónsson, H. A climbing image nudged elastic band method for finding saddle points and minimum energy paths. *J. Chem. Phys.*, **2000**, *113*, 9901–9904.
- [160] Chu, J.; Trout, B.L.; Brooks, B.R. A super-linear minimization scheme for the nudged elastic band method. *J. Chem. Phys.*, **2003**, *119*, 12708–12717.
- [161] Mathews, D.H.; Case, D.A. Nudged Elastic Band calculation of minimal energy pathways for the conformational change of a GG mismatch. *J. Mol. Biol.*, **2006**, *357*, 1683–1693.
- [162] Mongan, J.; Case, D.A.; McCammon, J.A. Constant pH molecular dynamics in generalized Born implicit solvent. *J. Comput. Chem.*, **2004**, *25*, 2038–2048.
- [163] Kolossváry, I.; Guida, W.C. Low mode search. An efficient, automated computational method for conformational analysis: Application to cyclic and acyclic alkanes and cyclic peptides. *J. Am. Chem. Soc.*, **1996**, *118*, 5011–5019.

Bibliography

- [164] Kolossváry, I.; Guida, W.C. Low-mode conformatinoal search elucidated: Application to $C_{39}H_{80}$ and flexible docking of 9-deazaguanine inhibitors into PNP. *J. Comput. Chem.*, **1999**, *20*, 1671–1684.
- [165] Kolossváry, I.; Keserü, G.M. Hessian-free low-mode conformational search for large-scale protein loop optimization: Application to c-jun N-terminal kinase JNK3. *J. Comput. Chem.*, **2001**, *22*, 21–30.
- [166] Keserü, G.M.; Kolossváry, I. Fully flexible low-mode docking: Application to induced fit in HIV integrase. *J. Am. Chem. Soc.*, **2001**, *123*, 12708–12709.
- [167] Press, W.H.; Flannery, B.P.; Teukolsky, S.A.; Vetterling, W.T. *Numerical Recipes: The Art of Scientific Computing*. Cambridge University Press, New York, 1989.
- [168] Liu, D.C.; Nocedal, J. On the limited memory method for large scale optimization. *Math. Programming B*, **1989**, *45*, 503–528.
- [169] Nocedal, J.; L. Morales, J. Automatic preconditioning by limited memory quasi-Newton updating. *SIAM J. Opt.*, **2000**, *10*, 1079–1096.
- [170] Schulman, L.S. *Techniques and Applications of Path Integration*. Wiley & Sons, New York, 1996.
- [171] Chandler, D.; Wolynes, P.G. Exploiting the isomorphism between quantum theory and classical statistical mechanics of polyatomic fluids. *J. Chem. Phys.*, **1981**, *74*, 4078–4095.
- [172] Ceperley, D.M. Path integrals in the theory of condensed helium. *Rev. Mod. Phys.*, **1995**, *67*, 279–355.
- [173] Martyna, G.J.; Klein, M.L.; Tuckerman, M. Nosé-Hoover chains: The canonical ensemble via continuous dynamics. *J. Chem. Phys.*, **1992**, *97*, 2635.
- [174] Berne, B.J.; Thirumalai, D. On the simulation of quantum systems: path integral methods. *Annu. Rev. Phys. Chem.*, **1986**, *37*, 401.
- [175] Cao, J.; Berne, B.J. On energy estimators in path integral Monte Carlo simulations: Dependence of accuracy on algorithm. *J. Chem. Phys.*, **1989**, *91*, 6359–6366.
- [176] Paesani, F.; Zhang, W.; Case, D.A.; Cheatham, T.E.; Voth, G.A. An accurate and simple quantum model for liquid water. *J. Chem. Phys.*, **2006**, *125*, 184507.
- [177] Martyna, G.J.; Hughes, A.; Tuckerman, M.E. Molecular dynamics algorithms for path integrals at constant pressure. *J. Chem. Phys.*, **1999**, *110*, 3275.
- [178] Voth, G.A. Path-integral centroid methods in quantum statistical mechanics and dynamics. *Adv. Chem. Phys.*, **1996**, *93*, 135.
- [179] Craig, I.R.; Manolopoulos, D.E. Quantum statistics and classical mechanics: Real time correlation functions from ring polymer molecular dynamics. *J. Chem. Phys.*, **2004**, *121*, 3368.

- [180] Cao, J.; Voth, G.A. The formulation of quantum statistical mechanics based on the Feynman path centroid density. IV. Algorithms for centroid molecular dynamics. *J. Chem. Phys.*, **1994**, *101*, 6168.
- [181] Miller, T.F.; Manolopoulos, D.E. Quantum diffusion in liquid water from ring polymer molecular dynamics. *J. Chem. Phys.*, **2005**, *123*, 154504.
- [182] Voth, G.A.; Chandler, D.; Miller, W.H. Rigorous Formulation of Quantum Transition State Theory and Its Dynamical Corrections. *J. Chem. Phys.*, **1989**, *91*, 7749–7760.
- [183] Miller, W.H. Semiclassical limit of quantum mechanical transition state theory for non-separable systems. *J. Chem. Phys.*, **1975**, *62*, 1899.
- [184] Miller, W.H.; Zhao, Y.; Ceotto, M.; Yang, S. Quantum instanton approximation for thermal rate constants of chemical. *J. Chem. Phys.*, **2003**, *119*, 1329–1342.
- [185] Yamamoto, T.; Miller, W.H. On the efficient path integral evaluation of thermal rate constants with the quantum instanton approximation. *J. Chem. Phys.*, **2004**, *120*, 3086–3099.
- [186] Miller, W.H.; Schwartz, S.D.; Tromp, J.W. Quantum mechanical rate constants for bimolecular reactions. *J. Chem. Phys.*, **1983**, *79*, 4889–4898.
- [187] Vaníček, J.; Miller, W.H.; Castillo, J.F.; Aoiz, F.J. Quantum-instanton evaluation of the kinetic isotope effects. *J. Chem. Phys.*, **2005**, *123*, 054108.
- [188] Vaníček, J.; Miller, W.H. Efficient estimators for quantum instanton evaluation of the kinetic isotope effects: application to the intramolecular hydrogen transfer in pentadiene. *J. Chem. Phys.*, **2007**, *127*, 114309.
- [189] Yamamoto, T.; Miller, W.H. Path integral evaluation of the quantum instanton rate constant for proton transfer in a polar solvent. *J. Chem. Phys.*, **2005**, *122*, 044106.
- [190] Duggan, B.M.; Legge, G.B.; Dyson, H.J.; Wright, P.E. SANE (Structure Assisted NOE Evaluation): An automated model-based approach for NOE assignment. *J. Biomol. NMR*, **2001**, *19*, 321–329.
- [191] Kalk, A.; Berendsen, H.J.C. Proton magnetic relaxation and spin diffusion in proteins. *J. Magn. Reson.*, **1976**, *24*, 343–366.
- [192] Olejniczak, E.T.; Weiss, M.A. Are methyl groups relaxation sinks in small proteins? *J. Magn. Reson.*, **1990**, *86*, 148–155.
- [193] Cross, K.J.; Wright, P.E. Calibration of ring-current models for the heme ring. *J. Magn. Reson.*, **1985**, *64*, 220–231.
- [194] Ösapay, K.; Case, D.A. A new analysis of proton chemical shifts in proteins. *J. Am. Chem. Soc.*, **1991**, *113*, 9436–9444.
- [195] Case, D.A. Calibration of ring-current effects in proteins and nucleic acids. *J. Biomol. NMR*, **1995**, *6*, 341–346.

Bibliography

- [196] Banci, L.; Bertini, I.; Gori-Savellini, G.; Romagnoli, A.; Turano, P.; Cremonini, M.A.; Luchinat, C.; Gray, H.B. Pseudocontact shifts as constraints for energy minimization and molecular dynamics calculations on solution structures of paramagnetic metalloproteins. *Proteins*, **1997**, *29*, 68.
- [197] Sanders, C.R. II; Hare, B.J.; Howard, K.P.; Prestegard, J.H. Magnetically-oriented phospholipid micelles as a tool for the study of membrane-associated molecules. *Prog. NMR Spectr.*, **1994**, *26*, 421–444.
- [198] Tsui, V.; Zhu, L.; Huang, T.H.; Wright, P.E.; Case, D.A. Assessment of zinc finger orientations by residual dipolar coupling constants. *J. Biomol. NMR*, **2000**, *16*, 9–21.
- [199] Case, D.A. Calculations of NMR dipolar coupling strengths in model peptides. *J. Biomol. NMR*, **1999**, *15*, 95–102.
- [200] Gippert, G.P.; Yip, P.F.; Wright, P.E.; Case, D.A. Computational methods for determining protein structures from NMR data. *Biochem. Pharm.*, **1990**, *40*, 15–22.
- [201] Case, D.A.; Wright, P.E. in *NMR in Proteins*, Clore, G.M.; Gronenborn, A., Eds., pp 53–91. MacMillan, New York, 1993.
- [202] Case, D.A.; Dyson, H.J.; Wright, P.E. Use of chemical shifts and coupling constants in nuclear magnetic resonance structural studies on peptides and proteins. *Meth. Enzymol.*, **1994**, *239*, 392–416.
- [203] Brüschweiler, R.; Case, D.A. Characterization of biomolecular structure and dynamics by NMR cross-relaxation. *Prog. NMR Spectr.*, **1994**, *26*, 27–58.
- [204] Case, D.A. The use of chemical shifts and their anisotropies in biomolecular structure determination. *Curr. Opin. Struct. Biol.*, **1998**, *8*, 624–630.
- [205] Torda, A.E.; Scheek, R.M.; VanGunsteren, W.F. Time-dependent distance restraints in molecular dynamics simulations. *Chem. Phys. Lett.*, **1989**, *157*, 289–294.
- [206] Pearlman, D.A.; Kollman, P.A. Are time-averaged restraints necessary for nuclear magnetic resonance refinement? A model study for DNA. *J. Mol. Biol.*, **1991**, *220*, 457–479.
- [207] Torda, A.E.; Brunne, R.M.; Huber, T.; Kessler, H.; van Gunsteren, W.F. Structure refinement using time-averaged J-coupling constant restraints. *J. Biomol. NMR*, **1993**, *3*, 55–66.
- [208] Pearlman, D.A. How well to time-averaged J-coupling restraints work? *J. Biomol. NMR*, **1994**, *4*, 279–299.
- [209] Pearlman, D.A. How is an NMR structure best defined? An analysis of molecular dynamics distance-based approaches. *J. Biomol. NMR*, **1994**, *4*, 1–16.
- [210] Brünger, A.T.; Adams, P.D.; Clore, G.M.; Delano, W.L.; Gros, P.; Grosse-Kunstleve, R.W.; Jiang, J.-S.; Kuszewski, J.; Nilges, M.; Pannu, N.S.; Read, R.J.; Rice, L.M.; Simonson, T.; Warren, G.L. Crystallography and NMR system (CNS): A new software system for macromolecular structure determination. *Acta Cryst. D*, **1998**, *54*, 905–921.

- [211] Yu, N.; Yennawar, H.P.; Merz, K.M. Jr. Refinement of protein crystal structures using energy restraints derived from linear-scaling quantum mechanics. *Acta Cryst. D*, **2005**, *61*, 322–332.
- [212] Yu, N.; Li, X.; Cui, G.; Hayik, S.; Merz, K.M. Jr. Critical assessment of quantum mechanics based energy restraints in protein crystal structure refinement. *Prot. Sci.*, **2006**, *15*, 2773–2784.
- [213] Yang, W.; Lee, T.-S. A density-matrix divide-and-conquer approach for electronic structure calculations of large molecules. *J. Chem. Phys.*, **1995**, *103*, 5674–5678.
- [214] Dixon, S.L.; Merz, K.M. Jr. Semiempirical molecular orbital calculations with linear system size scaling. *J. Chem. Phys.*, **1996**, *104*, 6643–6649.
- [215] Dixon, S.L.; Merz, K.M. Jr. Fast, accurate semiempirical molecular orbital calculations for macromolecules. *J. Chem. Phys.*, **1997**, *107*, 879–893.
- [216] Connolly, M.L. Analytical molecular surface calculation. *J. Appl. Cryst.*, **1983**, *16*, 548–558.
- [217] Srinivasan, J.; Cheatham, T.E. III; Cieplak, P.; Kollman, P.; Case, D.A. Continuum solvent studies of the stability of DNA, RNA, and phosphoramidate–DNA helices. *J. Am. Chem. Soc.*, **1998**, *120*, 9401–9409.
- [218] Kollman, P.A.; Massova, I.; Reyes, C.; Kuhn, B.; Huo, S.; Chong, L.; Lee, M.; Lee, T.; Duan, Y.; Wang, W.; Donini, O.; Cieplak, P.; Srinivasan, J.; Case, D.A.; Cheatham, T.E. III. Calculating structures and free energies of complex molecules: Combining molecular mechanics and continuum models. *Accts. Chem. Res.*, **2000**, *33*, 889–897.
- [219] Wang, W.; Kollman, P. Free energy calculations on dimer stability of the HIV protease using molecular dynamics and a continuum solvent model. *J. Mol. Biol.*, **2000**, *303*, 567.
- [220] Reyes, C.; Kollman, P. Structure and thermodynamics of RNA-protein binding: Using molecular dynamics and free energy analyses to calculate the free energies of binding and conformational change. *J. Mol. Biol.*, **2000**, *297*, 1145–1158.
- [221] Lee, M.R.; Duan, Y.; Kollman, P.A. Use of MM-PB/SA in estimating the free energies of proteins: Application to native, intermediates, and unfolded vilin headpiece. *Proteins*, **2000**, *39*, 309–316.
- [222] Wang, J.; Morin, P.; Wang, W.; Kollman, P.A. Use of MM-PBSA in reproducing the binding free energies to HIV-1 RT of TIBO derivatives and predicting the binding mode to HIV-1 RT of efavirenz by docking and MM-PBSA. *J. Am. Chem. Soc.*, **2001**, *123*, 5221–5230.
- [223] Marinelli, L.; Cosconati, S.; Steinbrecher, T.; Limongelli, V.; Bertamino, A.; Novellino, E.; Case, D.A. Homology Modeling of NR2B Modulatory Domain of NMDA Receptor and Analysis of Ifenprodil Binding. *ChemMedChem*, **2007**, *2*, 1498–1510.
- [224] Miranker, A.; Karplus, M. Functionality maps of binding sites: A multiple copy simultaneous search method. *Proteins: Str. Funct. Gen.*, **1991**, *11*, 29–34.

Bibliography

- [225] Cheng, X.; Hornak, V.; Simmerling, C. Improved conformational sampling through an efficient combination of mean-field simulation approaches. *J. Phys. Chem. B*, **2004**, *108*.
- [226] Simmerling, C.; Fox, T.; Kollman, P.A. Use of Locally Enhanced Sampling in Free Energy Calculations: Testing and Application of the alpha to beta Anomerization of Glucose. *J. Am. Chem. Soc.*, **1998**, *120*, 5771–5782.
- [227] Straub, J.E.; Karplus, M. Energy partitioning in the classical time-dependent Hartree approximation. *J. Chem. Phys.*, **1991**, *94*, 6737.
- [228] Ulitsky, A.; Elber, R. The thermal equilibrium aspects of the time-dependent Hartree and the locally enhanced sampling approximations: Formal properties, a correction, and computational examples for rare gas clusters. *J. Chem. Phys.*, **1993**, *98*, 3380.
- [229] Storer, J.W.; Giesen, D.J.; Cramer, C.J.; Truhlar, D.G. Class IV charge models: A new semiempirical approach in quantum chemistry. *J. Comput.-Aided Mol. Design*, **1995**, *9*, 87–110.
- [230] Li, J.; Cramer, C.J.; Truhlar, D.G. New class IV charge model for extracting accurate partial charges from Wave Functions. *J. Phys. Chem. A*, **1998**, *102*, 1820–1831.
- [231] Mitin, A.V. The dynamic level shift method for improving the convergence of the SCF procedure. *J. Comput. Chem.*, **1988**, *9*, 107–110.
- [232] Ermolaeva, M.D.; van der Vaart, A.; Merz, K.M. Jr. Implementation and testing of a frozen density matrix - divide and conquer algorithm. *J. Phys. Chem.*, **1999**, *103*, 1868–1875.
- [233] van der Vaart, A.; Merz, K.M. Jr. Divide and conquer interaction energy decomposition. *J. Phys. Chem. A*, **1999**, *103*, 3321–3329.
- [234] Raha, K.; van der Vaart, A.; E. Riley, K.; B. Peters, M.; M. Westerhoff, L.; Kim, H.; Merz Jr., K.M. Pairwise decomposition of residue interaction energies using semiempirical quantum mechanical methods in studies of protein-ligand interaction. *J. Am. Chem. Soc.*, **2005**, *127*, 6583–6594.
- [235] Wang, B.; Brothers, E.N.; van der Vaart, A.; Merz Jr., K.M. Fast semiempirical calculations for nuclear magnetic resonance chemical shifts: A divide-and-conquer approach. *J. Chem. Phys.*, **2004**, *120*, 11392–11400.
- [236] Wang, B.; Raha, K.; Merz Jr., K.M. Pose scoring by NMR. *J. Am. Chem. Soc.*, **2004**, *126*, 11430–11431.
- [237] Wang, B.; Merz, K.M. Jr. A fast QM/MM (quantum mechanical/molecular mechanical) approach to calculate nuclear magnetic resonance chemical shifts for macromolecules. *J. Chem. Theory Comput.*, **2006**, *2*, 209–215.
- [238] Gohlke, H.; Kuhn, L. A.; Case, D. A. Change in protein flexibility upon complex formation: Analysis of Ras-Raf using molecular dynamics and a molecular framework approach. *Proteins*, **2004**, *56*, 322–327.

- [239] Ahmed, A.; Gohlke, H. Multiscale modeling of macromolecular conformational changes combining concepts from rigidity and elastic network theory. *Proteins*, **2006**, *63*, 1038–1051.
- [240] Fulle, S.; Gohlke, H. Analyzing the flexibility of RNA structures by constraint counting. *Biophys. J.*, **2008**, DOI:10.1529/biophysj.107.113415.

Index

accept, 63
aexp, 175
alpb, 56
alpha, 104
amoeba_verbose, 84
arad, 57
arange, 175
arnoldi_dimension, 142
atnam, 170
atomn, 47
awt, 175

beeman_integrator, 84
bellymask, 27
bond_umb, 82

ccut, 183
chkvir, 47
chnghmask, 39
clambda, 100
cobsl, 182
coeff, 37
comp, 31
conflib_filename, 142
conflib_size, 142
conv, 95
corr, 96
crgmask, 105
criteria, 95
cter, 178
cut, 35
cutcap, 33
cutfd, 64
cutnb, 64
cutres, 63
cwt, 182

dataset, 181
datasetc, 182

dbfopt, 63
dbonds_umb, 82
dcut, 181
decompopt, 64
dftb_chg, 94
dftb_maxiter, 94
dftb_telec, 94
dgpt_alpha, 83
dia_shift, 80
diag, 95
diag_routine, 95
dielc, 35
dij, 181
dipmass, 40
dipole_scf_iter_max, 85
dipole_scf_tol, 85
diptau, 40
diptol, 40
dis, 97
disper, 93
dist_gauss, 83
do_debugf, 47
do_vdw_longrange, 85
do_vdw_taper, 85
dobl, 181
dprob, 62
drms, 27, 141
dt, 28
dumpfrc, 47
dwt, 181
dx0, 27
dynlmb, 105

ee_damped_cut, 85
ee_dsum_cut, 84
eedmeth, 38
eedtdns, 38
egap_umb, 82

emap, 81
emix, 175
ene_avg_sampling, 202
energy_window, 142
epsin, 61
epsout, 61
eq_cmd, 154
es_cutoff, 202
evb_dyn, 79
ewald, 92
explored_low_modes, 142
extdiel, 55

fcap, 33
fft, 38
fft_grids_per_ang, 203
fillratio, 62
frameon, 39
freezemol, 181
frequency_eigenvector_recalc, 142
frequency_ligand_rottrans, 142

gbsa, 56
gigj, 181
grnam1, 174

hybridgb, 118

ialtd, 171
iamoeba, 36
iat, 168
iatr, 177
ibelly, 27
icfe, 100
iconstr, 174
icsa, 182
id, 181
id2o, 176
idc, 91
idecomp, 26, 100
ievb, 36, 71
ifntyp, 174
ifqnt, 36
ifsc, 104
ifvari, 171, 172
ig, 30
igb, 36, 54

igr1, 173
ihp, 175
imin, 23
imult, 171
indmeth, 39
ineb, 133
int, 93
intdiel, 55
invwt1, 175
ioutfm, 26
ipimd, 151, 154, 156
ipnlty, 34
ipol, 36
iprot, 177, 179
ips, 38
iqmatoms, 91
ir6, 174
iresid, 171
irest, 24
irstdip, 40
irstyp, 171
iscale, 34
isgend, 29
isgld, 29
isgsta, 29
istrng, 61
itgtmd, 107
itrmax, 96
ivcap, 33
iwrap, 25
ixpk, 174

jfastw, 32

klambda, 100
kmaxqx, 92
ksqmaxq, 92

lbfgs_memory_depth, 141
ligcent_list, 144
ligstart_list, 144
lmod_job_title, 143
lmod_minimize_grms, 143
lmod_relax_grms, 143
lmod_restart_frequency, 143
lmod_step_size_max, 143
lmod_step_size_min, 143

INDEX

lmod_trajectory_filename, 143
lmod_verbosity, 143
ln, 30
logdvdl, 104

matrix_vector_product_method, 141
maxcyc, 27, 141
maxiter, 40
maxitn, 63
maxsph, 62
mdinfo_flush_interval, 201
mdout_flush_interval, 201
min_xfile, 83
mlimit, 37
mltpro, 179
modvdw, 82
monte_carlo_method, 143
morsify, 81
mpi, 41
mxsub, 34

namr, 177
natr, 177
nbflag, 37
nbias, 79
nbtell, 38
nbuffer, 63
nchain, 154
ncyc, 27
ndip, 181, 182
neglgdel, 47
netfrc, 38
nevb, 79
nfft3, 36
ninc, 171
nme, 178
nmodvdw, 79
nmorse, 79
nmpmc, 178
nmropt, 24
no, 97
no_intermolecular_bonds, 202
noeskp, 34
norest, 105
noshakemask, 32
npbgrid, 63

npbverb, 66
npeak, 175
npopt, 64
nprot, 177, 178
nranatm, 47
nrespa, 28
nring, 177
nscm, 28, 156
nsnb, 36
nsnba, 63
nsnbr, 63
nstep1, 171
nstlim, 28, 114
ntave, 25
ntb, 35
ntc, 32
nter, 178
ntf, 35
ntmin, 27, 141
ntp, 31
ntpr, 25
ntr, 27
ntrx, 25
ntt, 29, 151, 154, 156
ntw_evb, 79
ntwe, 26
ntwprt, 26
ntwr, 25
ntwv, 26
ntwx, 25
ntx, 24
ntxo, 25
nuff, 79
num_datasets, 181
number_free_rottrans_modes, 143
number_ligand_rottrans, 143
number_ligands, 143
number_lmod_iterations, 143
number_lmod_moves, 144
numexchg, 114
numwatkeep, 118
nxpk, 174

obs, 177, 179
offset, 56, 65
omega, 175

optkon, 178
 optphi, 178
 order, 37
 oscale, 176
 out_RCdot, 82

 param, 154
 pbtemp, 61
 pencut, 34
 phiform, 66
 phiout, 65
 pme, 92
 pres0, 31
 printcharges, 96

 q, 97
 qmcharge, 94
 qmcut, 92
 qmgb, 93
 qmmask, 91
 qmqmdx, 94
 qmshake, 96

 r0, 173
 radiopt, 61
 random_seed, 144
 ranseed, 47
 rbornstat, 55
 rdt, 56
 repercd, 114
 restart_pool_size, 144
 restraint, 170
 restraintmask, 27
 restrt_cmd, 154
 rgbmax, 55
 rhow_effect, 65
 rjcoef, 173
 rmsfrc, 47
 rotmin_list, 144
 rstwt, 169
 rtemperature, 144

 s11, 181
 saltcon, 55
 scaldip, 40
 scalec, 63
 scalm, 34

 scee, 36
 scfconv, 95
 scmask, 104
 scnb, 36
 sgft, 29
 shcut, 177
 shrang, 177
 skinnb, 38
 skmax, 133
 skmin, 133
 smoothopt, 62
 sor_coefficient, 85
 space, 62
 spin, 94
 sprob, 64
 str, 177
 surften, 56, 65

 t, 28
 taumet, 176
 taup, 31
 taurot, 176
 tausw, 34
 tautp, 30
 temp0, 30
 temp0les, 30
 tempi, 30
 tempsg, 29
 tgtfitmask, 107
 tgtmdfrc, 107
 tgtrmsd, 107
 tgtrmsmask, 107
 theory, 93
 tmode, 133
 tol, 32, 37
 tolpro, 179
 total_low_modes, 144
 trmin_list, 145
 ts_xfile, 83
 tsgavg, 29
 type, 37

 uff, 83
 use_axis_opt, 202
 use_rmin, 64
 use_sav, 65

INDEX

vdw_cutoff, 202
vdwmeth, 38
verbose, 37
verbosity, 94
vfac, 133
vlimit, 31
vprob, 65
vrand, 30
vv, 133

writepdb, 97
wt, 27, 177, 179

xch_cnst, 80
xch_exp, 80
xch_gauss, 81
xch_type, 79
xdg_xfile, 83
xmin_method, 141
xmin_verbosity, 141

zcap, 33
zerochg, 47
zerodip, 47
zerovdw, 47